

Microphone Indicator Lights

Microphone in Charger Base

Microphone LED	Meaning
Solid RED	Charging in Progress
Solid GREEN	Charging Complete

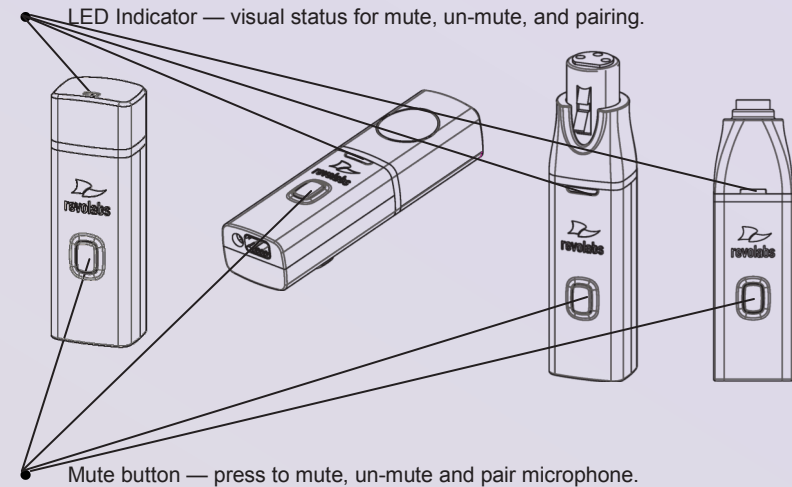
Microphone not in Charger Base

Microphone LED	Base Station	Meaning
OFF	OFF	Microphone powered OFF or battery discharged
Two RED flashes every 1.5 seconds	Two RED flashes every 1.5 seconds	Microphone paired and muted
One GREEN flash every 1.5 seconds	One GREEN flash every 1.5 seconds	Microphone paired and "live"
Solid RED	Solid RED	Pairing mode or confirmation of powering-down.
Alternating slow GREEN and RED flashes	Alternating slow GREEN and RED flashes	Microphone or channel not paired
YELLOW flash alternating with GREEN flash	GREEN Flashing	Microphone low battery
YELLOW flash alternating with two RED flashes	RED Flashing	Microphone low battery (mic muted)
Alternating RED, YELLOW, GREEN flashes	OFF	Searching for a connection, or out of radio range. Microphone will try to re-establish the link for about 15 minutes, and then turn off automatically.
Rapid RED flashes continuing for more than a few seconds	OFF	Radio congestion. Contact your AV service provider for advice.
Groups of five rapid RED flashes	OFF	Unit is faulty. Contact your AV service provider for advice.

Technical Support: <https://uc.yamaha.com/resources/support/>



How to Use Revolabs Wireless Microphones



Muting Revolabs Wireless Microphones

Revolabs HD Wearable Microphones turn on and mute automatically when removed from the Charger Base. This reduces noise while being placed into position. The LED will cycle through all of the colors upon initiation and then flash RED to indicate muted status. Un-mute the microphone by pressing and releasing the Mute button (flashing GREEN: un-muted).

Pairing Wireless Microphones to Base Station

Pairing creates a link between the HD Wireless Microphone and the Base Station, with a unique electronic serial number. When the microphone and Base Station have been previously paired, the mic will automatically try to connect to the same Base Station whenever it is lifted from the Charger Base.

1. Turn the microphone OFF (no LED activity). If the microphone is ON, press and hold the Mute button for 10 seconds until the LED turns solid RED then release the button to turn the unit off.
2. Put the Base Station into pairing mode by pressing and holding the button for the desired channel on the Base Station for seven seconds until the LED turns solid RED, then release.
3. Within 30 seconds, push and hold the Mute button on the microphone for seven seconds. The LED will turn solid RED. Release the Mute



SHARING PASSION & PERFORMANCE

Yamaha Unified Communications, Inc.
 144 North Road #3250
 Sudbury, MA 01776 USA
 +1 800-326-1088
 uc-sales@music.yamaha.com

Yamaha UC EMEA
 190 High Street Tonbridge, Kent
 TN9 1BE, UK
 +44 (0)1732 366535
 uc-salesemea@music.yamaha.com

Yamaha UC APAC
 +852.8108.8820
 uc-salesapac@music.yamaha.com