



NS-P230/ NS-P236

(NS-P230/NS-P236: NX-230P + NX-C230 + YST-SW005)

*HOME CINEMA 5.1CH SPEAKER PACKAGE/
HOME CINEMA 6.1CH SPEAKER PACKAGE*

*5.1 SYSTEM D'ENCEINTES HOME CINEMA/
6.1 SYSTEM D'ENCEINTES HOME CINEMA*



**OWNER'S MANUAL
MODE D'EMPLOI
BEDIENUNGSANLEITUNG
BRUKSANVISNING
MANUALE DI ISTRUZIONI
MANUAL DE INSTRUCCIONES
GEBRUIKSAANWIJZING**

UNPACKING
DEBALLAGE
AUSPACKEN
UPPACKNING
DISIMBALLAGGIO
DESEMBALAJE
UITPAKKEN

After unpacking, check that the following items are contained.

Après le déballage, vérifiez que les pièces suivantes sont incluses.


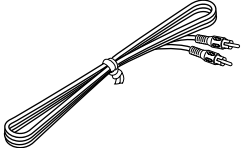

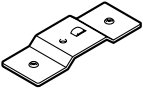
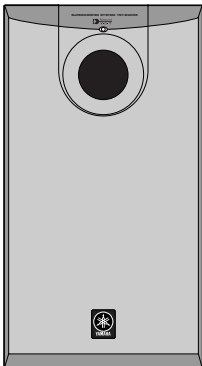
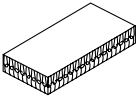
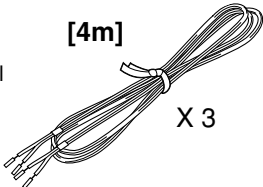
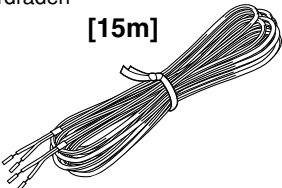
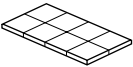
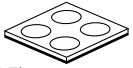

Nach dem Auspacken überprüfen, ob die folgenden Teile vorhanden sind.

Kontrollera efter det apparaten packats upp att följande delar finns med.

Verificare che tutte le parti seguenti siano contenute nell'imballaggio dell'apparecchio.

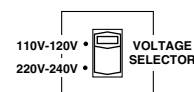
Desembale el aparato y verifique que los siguientes accesorios están en la caja.

Controleer na het uitpakken of de volgende onderdelen voorhanden zijn.

<ul style="list-style-type: none"> ● Main and rear speakers (and rear center speaker for NS-P236) ● Enceintes principales et arrière (et enceinte arrière centrale pour le NS-P236) ● Haupt- und hinteren Lautsprecherpaar (und hinteren Centerlautsprecher für NS-P236) ● Huvudhögaltalare och bakre högaltalare (samt bakre mitthögaltalare för NS-P236) ● Altoparlanti principali e posteriori (e altoparlante posteriore centrale del modello NS-P236) ● Altavoces principales y traseros (y altavoz central trasero para NS-P236) ● Hoofd-luidsprekers en achterluidsprekers (en als achter-middenluidspreker voor NS-P236) 	<p>NX-230P</p>  <p><NS-P230> X 4 <NS-P236> X 5</p>	<ul style="list-style-type: none"> ● Subwoofer cable ● Câble pour subwoofer ● Subwoofer-Kabel ● Subwooferkabel ● Cavo per subwoofer ● Cable del subwoofer ● Subwooferkabel 
<ul style="list-style-type: none"> ● Center speaker ● Enceinte centrale ● Centerlautsprecher ● Mitthögaltalare ● Altoparlante centrale ● Altavoz central ● Middenluidspreker 	<p>NX-C230</p>  <p><NS-P230> X 4 <NS-P236> X 5</p>	<ul style="list-style-type: none"> ● Mounting brackets ● Supports de montage ● Befestigungshalterungen ● Monteringsfästen ● Staffe di montaggio ● Ménsulas de instalación ● Montagesteunen  <p><NS-P230> X 4 <NS-P236> X 5</p>
<ul style="list-style-type: none"> ● Subwoofer ● Subwoofer ● Subwoofer ● Subwooferhögaltalaren ● Subwoofer ● Altavoz ultragraves ● Subwoofer 	<p>YST-SW005</p>  <p><NS-P230> X 2 <NS-P236> X 3</p>	<ul style="list-style-type: none"> ● Fasteners (for NX-C230) ● Fixations (pour NX-C230) ● Befestigung (für NX-C230) ● Fästanordning (för NX-C230) ● Fermi (per l'NX-C230) ● Sujetadores (para NX-C230) ● Bevestiging (voor NX-C230)  <p>X 2</p>
<ul style="list-style-type: none"> ● Speaker cables ● Câbles d'enceintes ● Lautsprecheranschlußkabel ● Högaltalarledningnar ● Cavi per gli altoparlanti ● Cables de los altavoces ● Luidsprekerdraden 	<p>[4m]</p>  <p>X 3</p> <p>[15m]</p>  <p><NS-P230> X 2 <NS-P236> X 3</p>	<ul style="list-style-type: none"> ● Nonskid pads (for NX-230P) ● Patins anti-dérapages (pour NX-230P) ● Gleitschutzpads (für NX-230P) ● Gliidskyddsdynor (för NX-230P) ● Cuscinetti antiscivoli (per l'NX-230P) ● Almohadillas antideslizantes (para NX-230P) ● Antislipplaatjes (voor NX-230P)  <p><NS-P230> X 2 <NS-P236> X 3</p>
<ul style="list-style-type: none"> ● Speaker cables ● Câbles d'enceintes ● Lautsprecheranschlußkabel ● Högaltalarledningnar ● Cavi per gli altoparlanti ● Cables de los altavoces ● Luidsprekerdraden 	<ul style="list-style-type: none"> ● Nonskid pads (for YST-SW005) ● Patins anti-dérapages (pour YST-SW005) ● Gleitschutzpads (für YST-SW005) ● Gliidskyddsdynor (för YST-SW005) ● Piedini antidrucciolevoli (per l'YST-SW005) ● Almohadillas antideslizantes (para YST-SW005) ● Antislipplaatjes (voor YST-SW005) 	<ul style="list-style-type: none"> ● Screws ● Vis ● Schrauben ● Skruvar ● Viti ● Tornillos ● Schroeven  <p><NS-P230> X 4 <NS-P236> X 5</p>

CAUTION: Read this before operating your unit.

- To assure the finest performance, please read this manual carefully. Keep it in a safe place for future reference.
- Install the speakers in a cool, dry, clean place – away from windows, heat sources, sources of excessive vibration, dust, moisture and cold. Avoid sources of humming (transformers, motors). To prevent fire or electric shock, do not expose the speakers to rain or water.
- To prevent the enclosure from warping or discoloring, do not place the speakers where they will be exposed to direct sunlight or excessive humidity.
- Avoid installing the speakers where foreign objects may fall onto them and/or where they may be exposed to liquid dripping or splashing.
Do not place the following objects on top of the speakers:
 - Other components, as they might cause damage and/or discoloration on the surface of the speakers.
 - Burning objects (i.e. candles), as they might cause fire, damage to the speakers and/or personal injury.
 - Containers with liquid in them, as they might cause electric shock to the user and/or damage to the speakers.
- Do not place the speakers where they are liable to be knocked over or struck by falling objects. Stable placement will also ensure better sound performance.
- Placing the speakers on the same shelf or rack as the turntable can result in feedback.
- Secure placement or installation is the owner's responsibility. YAMAHA shall not be liable for any accident caused by improper placement or installation of speakers.
- Any time you note distortion, reduce the volume control on your amplifier to a lower setting. Never allow your amplifier to be driven into "clipping". Otherwise the speakers may be damaged.
- When using an amplifier with a rated output power higher than the nominal input power of the speakers, care should be taken never to exceed the speakers' maximum input.
- Do not attempt to clean the speakers with chemical solvents as this might damage the finish. Use a clean, dry cloth.
- Do not attempt to modify or fix the speakers. Contact qualified YAMAHA service personnel when any service is needed. The cabinet should never be opened for any reason.
- Be sure to read the "TROUBLESHOOTING" section regarding common operating errors before concluding that the speakers are faulty.
- Do not cover the rear panel of this unit with a newspaper, a tablecloth, a curtain, etc. in order not to obstruct heat radiation. If the temperature inside this unit rises, it may cause fire, damage to this unit and/or personal injury.
- Do not plug in this unit to a wall outlet until all connections are completed.
- The voltage to be used must be the same as that specified on the rear panel. Using this unit with a higher voltage than specified is dangerous and may cause fire, damage to this unit, and/or personal injury. YAMAHA will not be held responsible for any damage resulting from use of this unit with a voltage other than specified.
- To prevent lightning damage, disconnect the AC power plug when there is an electric storm.
- Super-bass frequencies reproduced by this unit may cause a turntable to generate a howling sound. In such a case, move this unit away from the turntable.
- This unit may be damaged if certain sounds are continuously outputted at high volume level. For example, if 20 Hz–50 Hz sine waves from a test disc, bass sounds from electronic instruments, etc. are continuously outputted, or when the stylus of a turntable touches the surface of a disc, reduce the volume level to prevent this unit from being damaged.
- If you hear distorted noise (i.e. unnatural, intermittent "rapping" or "hammering" sounds) coming from this unit, reduce the volume level. Extremely loud playing of a movie soundtrack's low frequency, bass-heavy sounds or similarly loud popular music passages can damage this speaker system.
- Vibration generated by super-bass frequencies may distort images on a TV. In such a case, move this unit away from the TV set.
- When disconnecting the power cord from the wall outlet, grasp the plug; do not pull the cord.
- When not planning to use this unit for a long period (i.e. vacation, etc.), disconnect the AC power plug from the wall outlet.
- **VOLTAGE SELECTOR**
(For China, Korean and General models)
The voltage selector switch on the rear panel of this unit must be set for your local main voltage BEFORE plugging this unit into the AC main supply.
Voltages are 110-120/220-240 V AC, 50/60 Hz.



For YST-SW005

- Do not operate this unit upside down. It may overheat, possibly causing damage.
- Do not use excessive force on switches, controls or connection wires. When moving this unit, first disconnect the power plug and the wires connected to other equipments. Never pull the wires themselves.
- Since this unit has a built-in power amplifier, heat will radiate from the rear panel. Place the unit apart from the walls, allowing enough spaces above, behind and on both sides of the unit to prevent fire or damage. Furthermore, do not position with the rear panel facing down on the floor or other surfaces.
<For U.K. and Europe models>
Be sure to allow spaces of at least 20 cm above, behind and on both sides of the unit.
- When using a humidifier, be sure to avoid condensation inside this unit by allowing enough spaces around this unit or avoiding excess humidification. Condensation might cause a fire, damage to this unit, and/or electric shock.

Standby mode
If the POWER switch is set to the ON position and the AUTO STANDBY switch is set to the HIGH or LOW position, this unit turns into the standby mode when no signal is received by this unit for 7 to 8 minutes.
In this state, this unit is designed to consume a very small quantity of power.

WARNING
TO REDUCE THE RISK OF FIRE OR ELECTRIC SHOCK, DO NOT EXPOSE THIS UNIT TO RAIN OR MOISTURE.

For Canadian Customers

To prevent electric shock, match wide blade of plug to wide slot and fully insert.

This Class B digital apparatus complies with Canadian ICES-003.

For U.K. customers

If the socket outlets in the home are not suitable for the plug supplied with this appliance, it should be cut off and an appropriate 3 pin plug fitted. For details, refer to the instructions described below.

Note: The plug severed from the mains lead must be destroyed, as a plug with bared flexible cord is hazardous if engaged in a live socket outlet.

SPECIAL INSTRUCTIONS FOR U.K. MODEL

IMPORTANT:

THE WIRES IN MAINS LEAD ARE COLOURED IN ACCORDANCE WITH THE FOLLOWING CODE:

Blue: NEUTRAL

Brown: LIVE

As the colours of the wires in the mains lead of this apparatus may not correspond with the coloured markings identifying the terminals in your plug, proceed as follows: The wire which is coloured BLUE must be connected to the terminal which is marked with the letter N or coloured BLACK. The wire which is coloured BROWN must be connected to the terminal which is marked with the letter L or coloured RED. Making sure that neither core is connected to the earth terminal of the three pin plug.

COMPONENTS OF THE PACKAGE

The speaker package "NS-P230 and NS-P236" is designed for use in a multi-channel audio system such as a home theater system.

NS-P230 includes four NX-230P speaker systems, one NX-C230 speaker system and one YST-SW005 subwoofer system.

NS-P236 includes five NX-230P speaker systems, one NX-C230 speaker system and one YST-SW005 subwoofer system.

<NX-230P>

Full range acoustic-suspension speaker system used for the main and rear speakers (and rear center speaker for NS-P236)

<NX-C230>

Full range acoustic-suspension speaker system used for the center speaker

<YST-SW005>

Active Servo Processing Subwoofer System with a built-in power amplifier

- This subwoofer system employs Advanced YAMAHA Active Servo Technology which YAMAHA has developed for reproducing higher quality super-bass sound. (Refer to page 14 for details on Advanced YAMAHA Active Servo Technology.) This super-bass sound adds a more realistic, theater-in-the-home effect to your stereo system.
- This subwoofer can be easily added to your existing audio system by connecting to either the speaker terminals or the line output (pin jack) terminals of the amplifier.
- The AUTO STANDBY switch saves you the trouble of setting the POWER switch to the ON or OFF position.

CONTENTS

UNPACKING	Inside of Front Cover
CAUTION	1
COMPONENTS OF THE PACKAGE	2
SETTING UP THE SPEAKERS	3
Placing the subwoofer	4
Placing the center speaker	4
Mounting the rear speakers (and rear center speaker for NS-P236)	5
Placing the main/rear speakers (and rear center speaker for NS-P236)	6

CONNECTIONS	7
An example of basic connections	7
How to connect speaker cables to the input and output terminals of the speakers	9
Connecting the subwoofer to speaker output terminals of the amplifier	10
USING THE SUBWOOFER (YST-SW005) ...	11
Controls and their functions	11
Adjusting the subwoofer before use	12
Frequency characteristics	13
ADVANCED YAMAHA ACTIVE SERVO TECHNOLOGY (for YST-SW005)	14
TROUBLESHOOTING	15
SPECIFICATIONS	16

SETTING UP THE SPEAKERS

Before making connections, place all speakers in their respective positions. The positioning of the speakers is important because it controls the whole sound quality of this system.

Place the speakers depending on your listening position by following the instructions below.

Speaker configuration

<NS-P230>

This speaker package employs a 6 speaker configuration: 2 main speakers, 2 rear speakers, a center speaker and a subwoofer.

The main speakers emit main source sound. The rear speakers emit surround sounds, and the center speaker emits center sounds (dialog etc.). The subwoofer emits reinforcing low frequencies on your audio system.

<NS-P236>

This speaker package employs a 7 speaker configuration: 2 main speakers, 2 rear speakers, a center speaker, a rear center speaker and a subwoofer.

The main speakers emit main source sound. The rear and rear center speakers emit surround sounds, and the center speaker emits center sounds (dialog etc.). The subwoofer emits reinforcing low frequencies on your audio system.

Note

In this speaker package, the same speakers (NX-230P) are used for the main and rear speakers (and rear center speaker for NS-P236).

Placing speakers

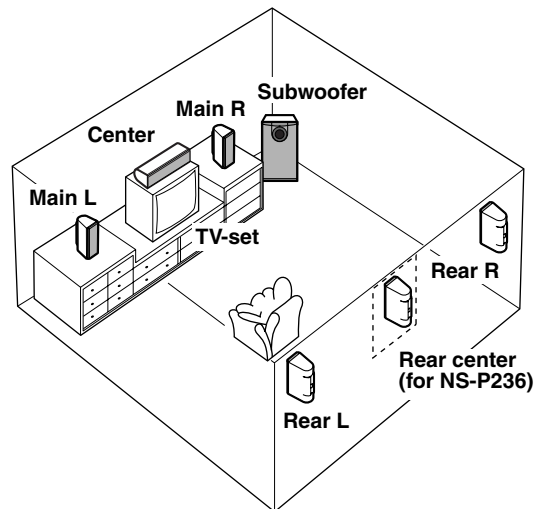
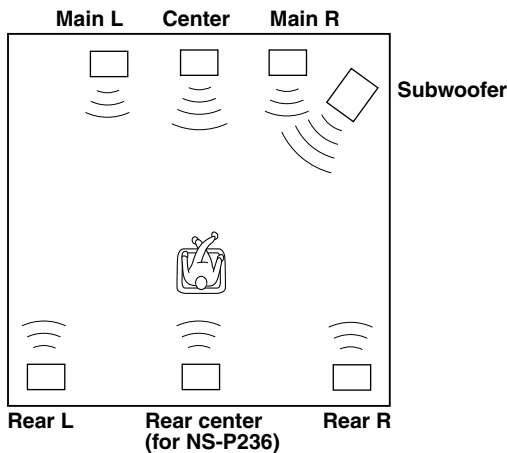
Main speakers: On both sides of and at approximately the same height as the TV set.

Rear speakers: Behind your listening position, facing slightly inward. About 1.8 m (approx. 6 feet) from the floor.

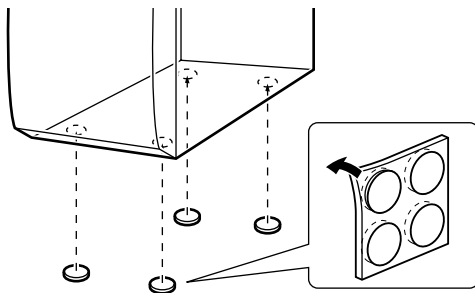
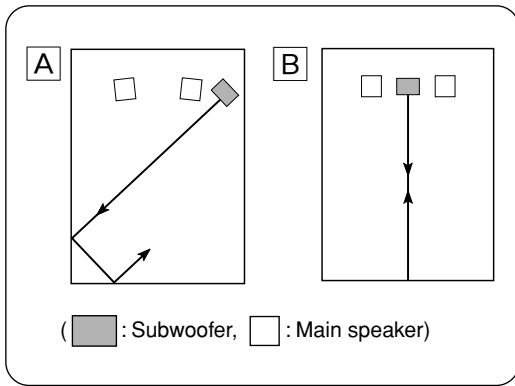
Center speaker: Precisely between the main speakers.

Rear center speaker (for NS-P236): Precisely between the rear speakers.

Subwoofer: The position of the subwoofer is not so critical because low bass tones are not highly directional. Refer to "Placing the subwoofer" below for a recommended positioning of the subwoofer.



■ Placing the subwoofer



It is recommended to place the subwoofer on the outside of either the right or the left main speaker. (See fig. [A].) The placement shown in fig. [B] is also possible, however, if the subwoofer system is placed directly facing the wall, the bass effect may die because the sound from it and the sound reflected by the wall may cancel out each other. To prevent this from happening, face the subwoofer system at an angle as shown in fig. [A].

Note

There may be a case that you cannot obtain enough super-bass sounds from the subwoofer when listening in the center of the room. This is because “standing waves” have been developed between two parallel walls and they cancel the bass sounds.

In such a case, face the subwoofer obliquely to the wall. It also may be necessary to break up the parallel surfaces by placing bookshelves etc. along the walls.

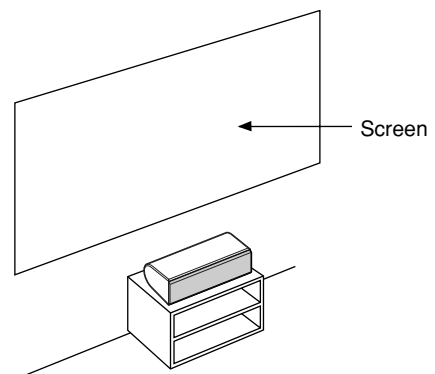
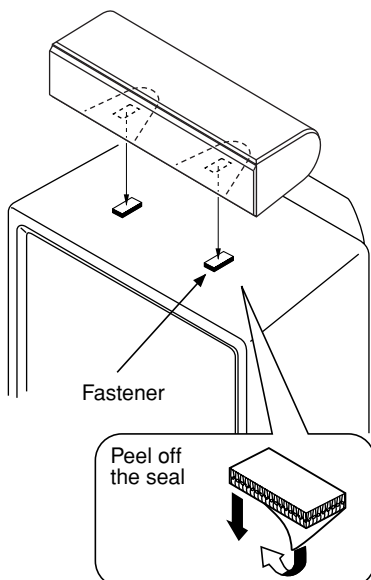
Use the nonskid pads

Put the provided nonskid pads at the four corners on the bottom of the subwoofer to prevent the subwoofer from moving by vibrations etc.

■ Placing the center speaker

You can place the speaker on top of the TV if the top is flat, on the floor under the TV, or inside the TV rack. Be sure to place the speaker in a stable position.

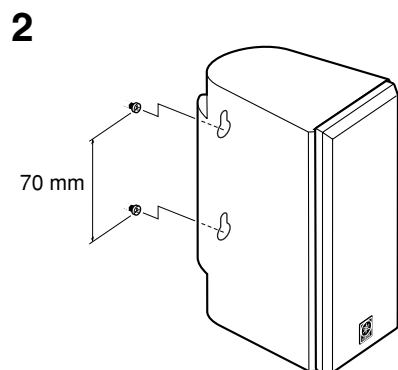
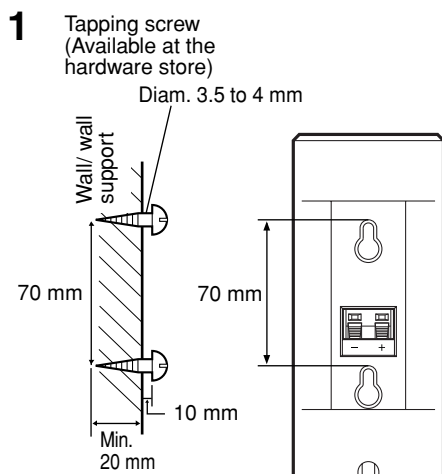
When placing the speaker on top of the TV, to prevent the speaker from falling, attach the provided fasteners at two points on the bottom of the speaker and on the top of the TV.



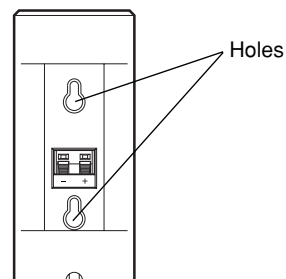
Notes

- Do not place the speaker on top of a TV whose area is smaller than the bottom of the speaker. If placed, the speaker may fall and cause injury.
- Do not place the speaker on top of a TV if the top is inclined.
- Do not touch the adhesive surface after peeling off the seal as this will weaken its adhesive strength.
- Thoroughly wipe clean the surface where the fastener is to be applied. Note that adhesive strength is weakened if the surface is dirty, oily or wet and that this may cause the center speaker to fall.

■ Mounting the rear speakers (and rear center speaker for NS-P236)



Mount the rear speakers (and rear center speaker for NS-P236) on a shelf, rack or directly on the floor, or hang them on the wall.



To mount the speakers on a wall by using the holes on the speakers' back panels

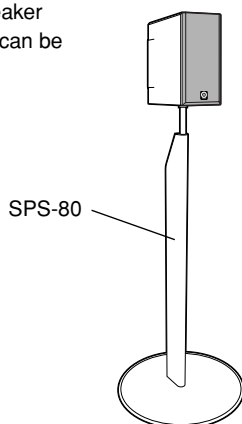
- 1** Fasten screws into a firm wall or wall support as shown in the figure.
- 2** Hang the speaker by mounting the holes on the protruding screws.
 - * Make sure that the screws are securely affixed by the narrow parts of the holes.

WARNING

- Each speaker weighs 0.9 kg (2 lbs.). Do not mount them on thin plywood or a wall composed of a soft surface material. If mounted, the screws may pull out of the flimsy surface and the speakers may fall. This may damage the speakers or cause personal injury.
- Do not affix the speakers to a wall using nails, adhesives, or any other unstable hardware. Long-term use and vibrations may cause the speakers to fall.
- To avoid accidents resulting from tripping over loose speaker cables, fix the cables to the wall.
- Select an appropriate position on the wall to mount the speaker so that no one will injure his/her head or face.

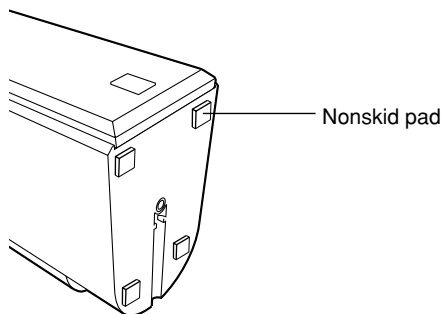
Using the Yamaha Speaker Stand SPS-80 (option)

By using the Yamaha Speaker Stand SPS-80, speakers can be placed on the floor.



* The SPS-80 is not available in some areas.

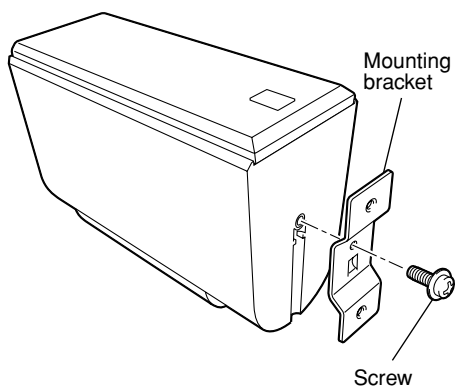
■ Placing the the main/rear speakers (and rear center speaker for NS-P236)



When placing the speakers on a flat surface, attach the included nonskid pads to the corners on the bottom of the speakers as shown on the left. This prevents the speakers from sliding around.

* For NS-P236, the nonskid pads include four spare ones.

If you want to mount a speaker on a commercially available speaker stand for the main/rear speakers (and rear center speaker for NS-P236)



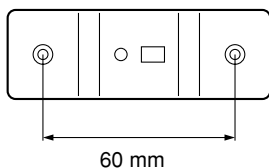
The provided mounting bracket with 1 pair of screw holes (at an interval of 60 mm) can be used to mount the speaker on a speaker stand.

* Those screw holes can be used with M4 screws only.

- 1** Attach the bracket to the bottom of the speaker by using the provided screw so that the convex part of the bracket fits in the grooved part on the bottom of the speaker as shown on the left.
- 2** Mount the speaker on the speaker stand by using the screw holes on the bracket.

Note

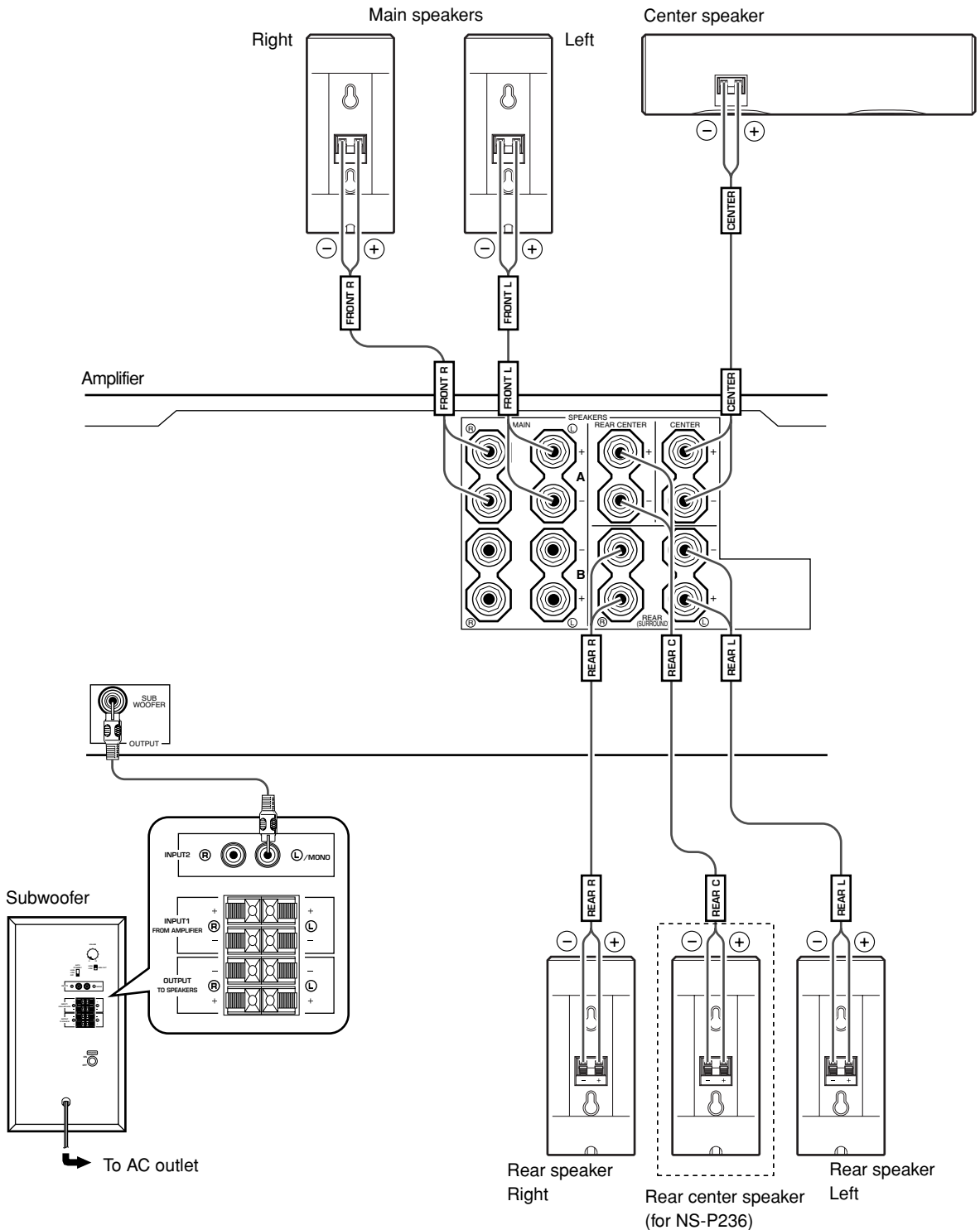
The mounting bracket is provided for each speaker.



CONNECTIONS

Caution: Plug in the subwoofer and other audio/video components after all connections are completed.

■ An example of basic connections



- Connect the main, center and rear speakers (and rear center speaker for NS-P236) to the speaker output terminals of your amplifier with the provided speaker cables.
 - * The provided speaker cables have labels marked FRONT L, FRONT R, CENTER, REAR L, REAR R (and REAR C for NS-P236). Connect each speaker cord to the corresponding speaker by following the figure on page 7.
 - * Connect each speaker making sure not to reverse the polarity (+, -). If the speaker is connected with reversed polarity, the sound will be unnatural and lack bass.
 - * For the main and rear speakers only, connect one speaker to the left (marked L) terminals of your amplifier, and another speaker to the right (marked R) terminals.
- Basically, connect the subwoofer to the line output (pin jack) terminal(s) of the amplifier. If your amplifier does not have any line output terminal, connect the subwoofer to the speaker output terminals of the amplifier. (Refer to page 9 for details.)
 - * To connect with a YAMAHA DSP amplifier (or AV receiver), connect the SUBWOOFER (or LOW PASS etc.) terminal on the rear of the DSP amplifier (or AV receiver) to the L /MONO INPUT2 terminal of the subwoofer.
 - * To connect the subwoofer to the SPLIT SUBWOOFER terminals on the rear of the DSP amplifier, connect them to both the left L and right R INPUT2 terminals of the subwoofer.

Note

When connecting to a monaural line output terminal of the amplifier, connect to the L /MONO INPUT2 terminal.

■ How to connect speaker cables to the input and output terminals of the speakers

For connections, keep the speaker cables as short as possible. Do not bundle or roll up the excess part of the cables. If the connections are faulty, no sound will be heard from the speakers.

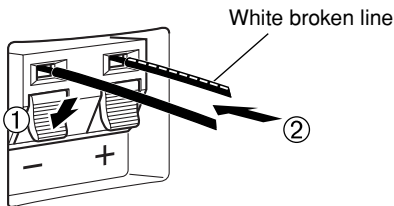
Main/center/rear speakers

Rear center speaker (for NS-P236)

One side of the provided speaker cable has a white broken line and the other side has no line.

Connect the (+) terminals on both the speaker and the amplifier using the side with a white broken line. Connect the (-) terminals on both components using the side with no line.

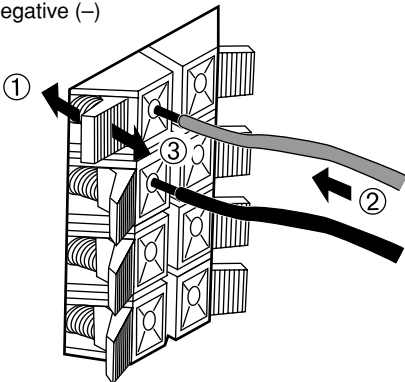
Red: positive (+)
Black: negative (-)



Subwoofer (INPUT1/OUTPUT terminals)

Connect the (+) terminals on both the subwoofer and the amplifier using one side of the cable. Connect the (-) terminals on both components using the other side of the cable.

Red: positive (+)
Black: negative (-)



Before connecting

Remove the insulation coating at the extremity of each speaker cable by twisting the coating off.

Good **No Good**



How to Connect:

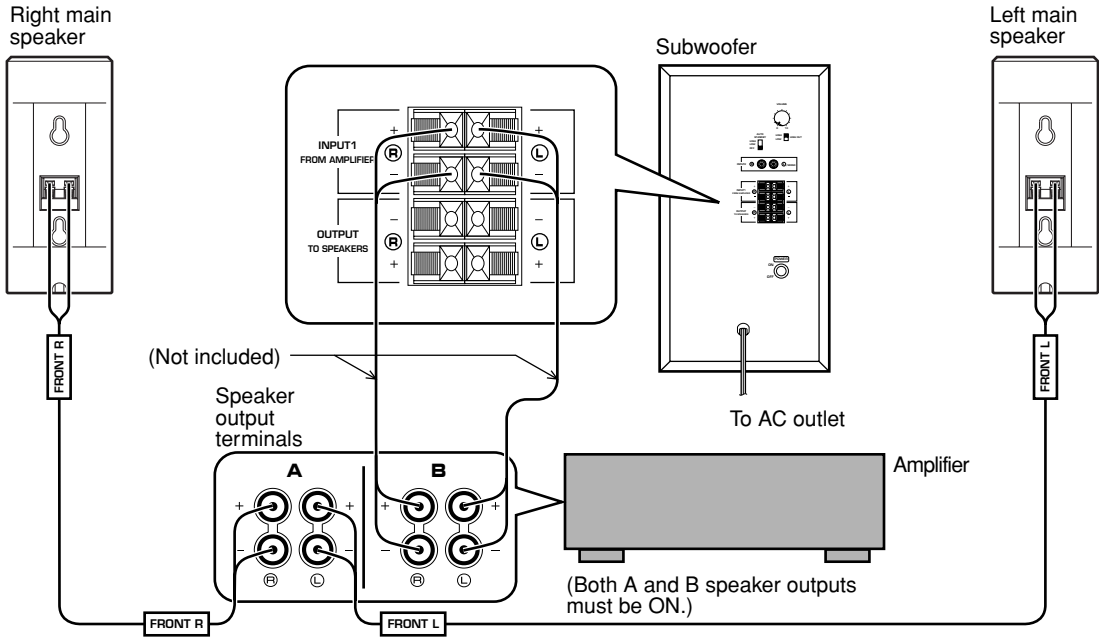
- ① Press and hold the terminal's tab, as shown in the figure.
- ② Insert the bare wire.
- ③ Release your finger from the tab to allow it to lock securely on the cable's wire end.
- ④ Test the firmness of the connection by pulling lightly on the cable at the terminal.

Note

Do not let the bare speaker wires touch each other as this could damage the speaker or the amplifier, or both of them.

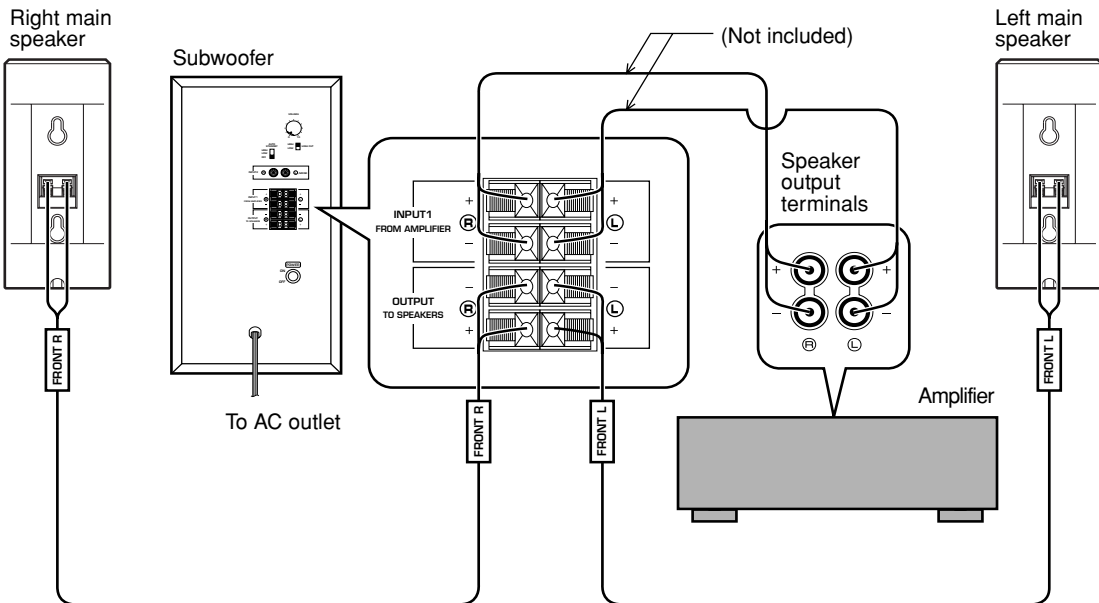
■ Connecting the subwoofer to speaker output terminals of the amplifier

If your amplifier has two sets of speaker output terminals

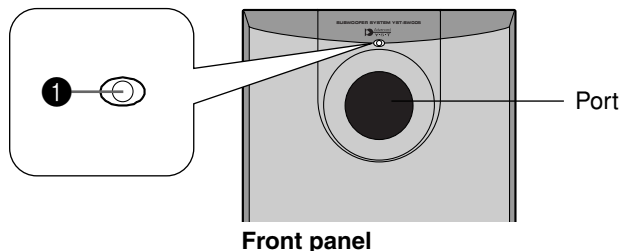


If your amplifier has only one set of main speaker output terminals

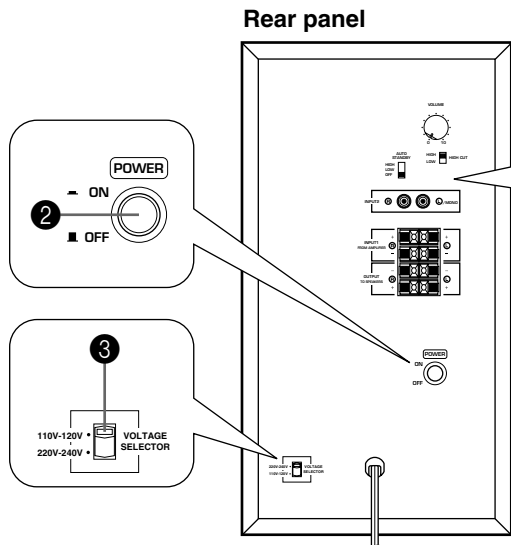
Connect the speaker output terminals of the amplifier to the INPUT1 terminals of the subwoofer, and connect the OUTPUT terminals of the subwoofer to the main speakers.



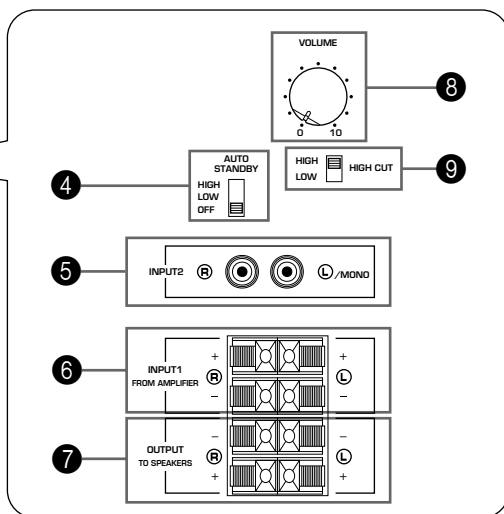
■ Controls and their functions



Front panel



Rear panel



- 1** Power indicator
Lights up GREEN when the **POWER** switch (2) is pressed in to the ON position and goes off when set to the OFF position.
* Standby mode
If the **POWER** switch (2) is pressed in to the ON position and the **AUTO STANDBY** switch (4) is set to the HIGH or LOW position, this indicator lights up RED when no signal is received by the subwoofer.

- 2** **POWER** switch
Press this switch to the ON position to turn on the power of the subwoofer. When the power of the subwoofer is on, the power indicator (1) on the front panel lights up GREEN. Press this switch again to set to the OFF position to turn off the power of the subwoofer.

- 3** **VOLTAGE SELECTOR** switch
(For China, Korean and General models)
If the preset setting of the switch is incorrect, set the switch to the proper voltage range (220V-240V or 110V-120V) of your area.
Consult your dealer if you are unsure of the correct setting.

WARNING

Be sure to unplug the subwoofer before setting the **VOLTAGE SELECTOR** switch correctly.

- 4** **AUTO STANDBY (HIGH/LOW/OFF)** switch
This switch is originally set to the OFF position. By setting this switch to the HIGH or LOW position, the subwoofer's automatic power-switching function operates as explained on page 9. If you do not need this function, set to the OFF position.
* Make sure to change the setting of this switch only when the **POWER** switch (2) is in the OFF position.

- 5** **INPUT2** terminals
Used to input line level signals from the amplifier.

- 6** **INPUT1 (FROM AMPLIFIER)** terminals
Used to connect the subwoofer with the speaker terminals of the amplifier.

- 7** **OUTPUT (TO SPEAKERS)** terminals
Can be used for connecting to the main speakers. Signals from the **INPUT1** terminals (6) are sent to these terminals.

- 8** **VOLUME** control
Adjusts the volume level. Turn the control clockwise to increase the volume, and counterclockwise to decrease the volume.

- 9** **HIGH CUT (HIGH/LOW)** switch
Selects the high frequency cut off point. Normally, it is set to LOW, however, you may set to HIGH if necessary. Refer to page 12-13.

Automatic power-switching function

If the source being played is stopped and the input signal is cut off for 7 to 8 minutes, the subwoofer automatically switches to the standby mode. (When the subwoofer switches to the standby mode by the automatic power-switching function, the power indicator lights up in red.) When you play a source again, the power of the subwoofer turns on automatically by sensing audio signals input to the subwoofer.

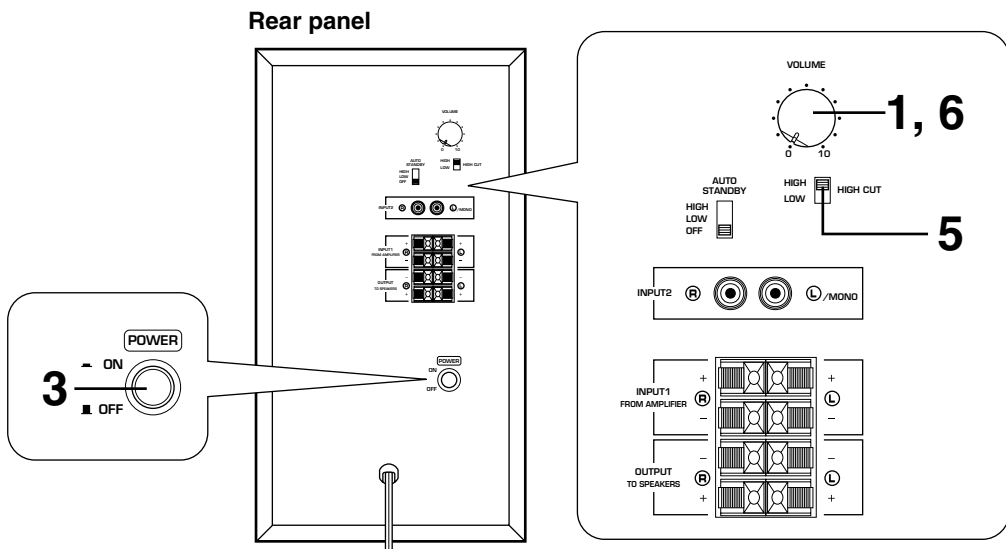
This function will operate by sensing a certain level of low frequency input signal. Usually set the **AUTO STANDBY** switch to the LOW position. However, if the power is not switched to ON or STANDBY smoothly, set the switch to the HIGH position. In the HIGH position, the power will turn on even with a low level of input signal. But please be aware that the subwoofer may not switch to the standby mode when there is an extremely low input signal.

- * The power might turn on unexpectedly by sensing noise from other appliances. If that occurs, set the **AUTO STANDBY** switch to the OFF position and use the **POWER** switch to switch the power between ON and OFF manually.
- * This function detects the low-frequency components below 200 Hz of the input signals (i.e., the explosion in the action movie, the sound of the bass guitar or the bass drum, etc.).
- * The minutes required to switch the subwoofer to the standby mode might change by sensing noise from other appliances.

This function is available only when the power of the subwoofer is on (by pressing the POWER switch).

■ Adjusting the subwoofer before use

Before using the subwoofer, adjust the subwoofer to obtain the optimum volume and tone balance between the subwoofer and the main speakers by following the procedures described below.



- 1 Set the **VOLUME** control to minimum (0).
- 2 Turn on the power of all the other components.
- 3 Press the **POWER** switch to the ON position.
 - * The power indicator on the front panel lights up in green.
- 4 Play a source containing low-frequency components and adjust the amplifier's volume control to the desired listening level.
- 5 Set the **HIGH CUT** switch to the LOW or HIGH position.

This subwoofer is designed so that the optimum tone balance between the subwoofer and the main speakers is obtained when this switch is set to the LOW position. The tone balance may change, however, depending on the room size, the distance from the subwoofer to the main speakers, and so on. If necessary, switch it to the HIGH position.

- 6 Increase the volume gradually to adjust the volume balance between the subwoofer and the main speakers.

Normally, set the control to the level where you can obtain a little more bass effect than when this unit is not used. If the desired response cannot be obtained, adjust the **HIGH CUT** switch and the **VOLUME** control again.

- Once the volume balance between the subwoofer and the main speakers is adjusted, you can adjust the volume of your whole sound system by using the amplifier's volume control. However, if you change the main speakers (NX-230P) to others, you must make this adjustment again.
- For adjusting the **VOLUME** control and the **HIGH CUT** switch, refer to "Frequency characteristics" below.

■ Frequency characteristics

Fig. 1 shows the frequency characteristics of the subwoofer with each position (HIGH/LOW) of the **HIGH CUT** switch.

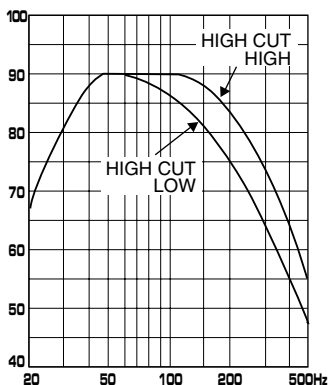


Fig. 1

Fig. 2 shows the optimum volume level with the **HIGH CUT** switch at the HIGH position, and the frequency characteristics when the subwoofer is combined with NX-230P.

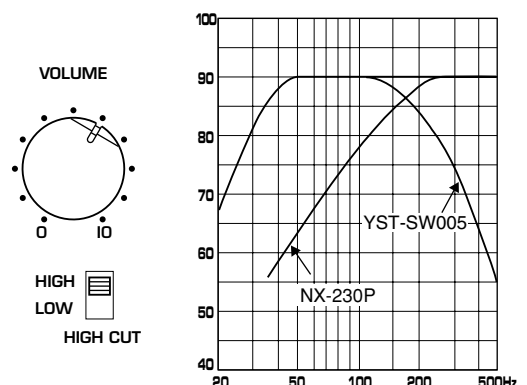


Fig. 2

ADVANCED YAMAHA ACTIVE SERVO TECHNOLOGY (for YST-SW005)

The theory of Yamaha Active Servo Technology has been based upon two major factors, the Helmholtz resonator and negative-impedance drive. Active Servo Processing speakers reproduce the bass frequencies through an “air woofer”, which is a port or opening in the speaker’s cabinet. This opening is used instead of, and performs the functions of, a woofer in a conventionally designed speaker system. Thus, signals of low amplitude within the cabinet can, according to the Helmholtz resonance theory, be outputted from this opening as waves of great amplitude if the size of the opening and the volume of the cabinet are in the correct proportion to satisfy a certain ratio.

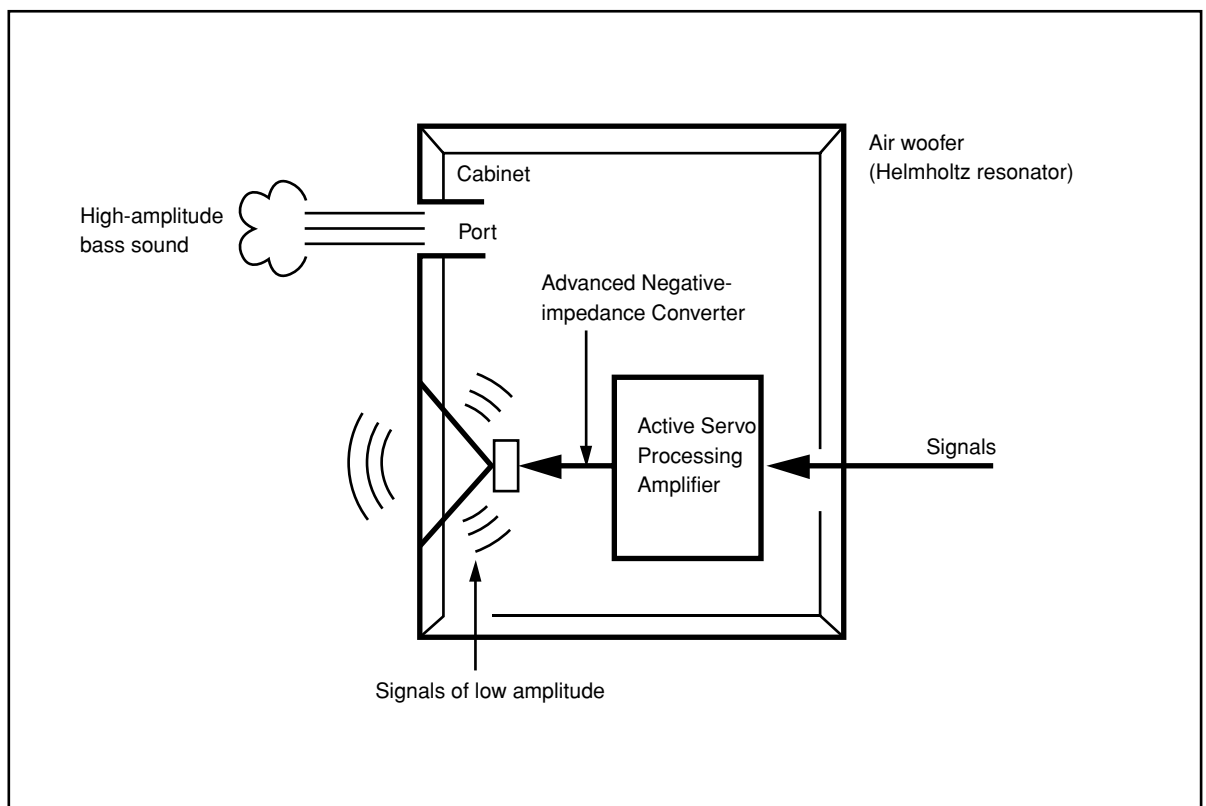
In order to accomplish this, moreover, the amplitudes within the cabinet must be both precise and of sufficient power because these amplitudes must overcome the “load” presented by the air that exists within the cabinet.

Thus it is this problem that is resolved through the employment of a new design in which the amplifier supplies special signals. If the electrical resistance of the voice coil could be reduced to zero, the movement of the speaker unit would become linear with respect to signal voltage. To accomplish this, a special negative-impedance output-drive amplifier for subtracting output impedance of the amplifier is used.

By employing negative-impedance drive circuits, the amplifier is able to generate precise, low-amplitude, low-frequency waves with superior damping characteristics. These waves are then radiated from the cabinet opening as high-amplitude signals. The system can, therefore, by employing the negative-impedance output drive amplifier and a speaker cabinet with the Helmholtz resonator,

reproduce an extremely wide range of frequencies with amazing sound quality and less distortion. The features described above, then, are combined to be the fundamental structure of the conventional Yamaha Active Servo Technology.

Our new Active Servo Technology — Advanced Yamaha Active Servo Technology — adopted Advanced Negative Impedance Converter (ANIC) circuits, which allows the conventional negative impedance converter to dynamically vary in order to select an optimum value for speaker impedance variation. With this new ANIC circuits, Advanced Yamaha Active Servo Technology can provide more stable performance and improved sound pressure compared with the conventional Yamaha Active Servo Technology, resulting in more natural and dynamic bass reproduction.



TROUBLESHOOTING

Refer to the chart below when this unit does not function properly. If the problem you are experiencing is not listed below or if the instructions given below do not help, disconnect the power cord and contact your authorized YAMAHA dealer or service center.

Problem	Cause	What to Do
No sound.	Speaker cables are not connected securely.	Connect them securely.
Sound level is too low.	Speaker cables are not connected correctly.	Connect them correctly, that is L (left) to L, R (right) to R, “+” to “+” and “-” to “-”.

For YST-SW005

Problem	Cause	What to Do
Power is not supplied even though the POWER switch is set to the ON position.	The power plug is not securely connected.	Connect it securely.
No sound.	The VOLUME control is set to 0.	Turn the VOLUME control to the right (clockwise).
	Speaker cables are not connected securely.	Connect them securely.
Sound level is too low.	Speaker cables are not connected correctly.	Connect them correctly, that is L (left) to L, R (right) to R, “+” to “+” and “-” to “-”.
	A source sound with few bass frequencies is played.	Play a source sound with bass frequencies. Set the HIGH CUT switch to the “HIGH” position.
	It is influenced by standing waves.	Reposition the subwoofer or break up the parallel surface by placing bookshelves etc. along the walls.
The subwoofer does not turn on automatically.	The POWER switch is set to the OFF position.	Set the POWER switch to the ON position.
	The AUTO STANDBY switch is set to the OFF position.	Set the AUTO STANDBY switch to the “HIGH” or “LOW” position.
	The level of input signal is too low.	Set the AUTO STANDBY switch to the “HIGH” position.
The subwoofer does not turn into the standby mode automatically.	There is an influence of noise generated from external appliances etc.	Move the subwoofer farther away from such appliances and/or reposition the connected speaker cables. Otherwise, set the AUTO STANDBY switch to the “OFF” position.
	The AUTO STANDBY switch is set to the OFF position.	Set the AUTO STANDBY switch to the “HIGH” position.
The subwoofer turns into the standby mode unexpectedly.	The level of input signal is too low.	Set the AUTO STANDBY switch to the “HIGH” position.
The subwoofer turns on unexpectedly.	There is an influence of noise generated from external appliances etc.	Move the subwoofer farther away from such appliances and/or reposition the connected speaker cables. Otherwise, set the AUTO STANDBY switch to the “OFF” position.

SPECIFICATIONS

■ NX-230P, NX-C230

Type Full range acoustic-suspension speaker system
Magnetic shielding type

Driver 5 cm (2") full range cone speaker x 2

Nominal Input Power 30W

Maximum Input Power 100W

Impedance 6Ω

Frequency Response

<NX-230P> 100 Hz to 30 kHz

<NX-C230> 75 Hz to 30 kHz

Sensitivity 86 dB/2.83V/m

Dimensions (W x H x D)

<NX-230P> 72 mm x 164 mm x 111 mm
(2-13/16" x 6-7/16" x 4-3/8")

<NX-C230> 300 mm x 72 mm x 110 mm
(11-13/16" x 2-13/16" x 4-5/16")

Weight

<NX-230P> 0.9 kg (2 lbs.)

<NX-C230> 1.1 kg (2 lbs. 7 oz.)

■ YST-SW005

Type Advanced Yamaha Active Servo Technology
Magnetic shielding type

Driver 16 cm (6-1/2") cone woofer

Amplifier Output

U.S.A. and Canada models 55 W/5Ω

Other models 50 W/5Ω

Frequency Response 30 Hz to 200 Hz

Power Supply

U.S.A. and Canada models AC 120V, 60 Hz

U.K. and Europe models AC 230V, 50 Hz

Australia model AC 240V, 50 Hz

China, Korean and General models

..... AC 110-120/220-240V, 50/60 Hz

Power Consumption 60 W

(In the standby mode: 0.8 W)

Dimensions (W x H x D) 200 mm x 365 mm x 375 mm

(7-7/8" x 14-7/20" x 14-3/4")

Weight 8.5 kg (18 lbs. 11 oz.)

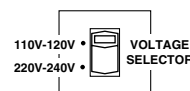
* Specifications are subject to change without notice due to product improvements.

PRECAUTIONS D'USAGE : Tenir compte des précautions ci-dessous avant de faire fonctionner l'appareil.

- Pour garantir les meilleures performances possibles, lire ce manuel avec attention. Le garder dans un endroit sûr pour une utilisation ultérieure.
- Installer ces enceintes dans un endroit frais, sec et propre – loin de fenêtres, sources de chaleur et d'endroits où les vibrations, la poussière, l'humidité ou le froid sont importants. Éviter les sources de bourdonnements (transformateurs, moteurs). Pour éviter les incendies ou l'électrocution, ne pas exposer ces enceintes à la pluie ni à l'humidité.
- Pour éviter que le coffret ne gondole ou se décolore, ne pas placer les enceintes à un endroit où elles seront exposées aux rayons directs du soleil ou à une trop forte humidité.
- Éviter de placer les enceintes dans un endroit où elles risqueraient d'être percutées par des objets tombants et/ou où elles risqueraient d'être éclaboussées par du liquide.
Ne pas placer les objets suivants sur les enceintes :
 - D'autres composants, car ils pourraient endommager et/ou décolorer la surface des enceintes.
 - Des objets inflammables (ex. des bougies), car elles pourraient provoquer un incendie, endommager les enceintes et/ou provoquer des blessures corporelles.
 - Des récipients contenant des liquides, car ils pourraient provoquer une décharge électrique et/ou endommager les enceintes.
- Ne pas placer les enceintes à un endroit où elles risquent d'être renversées ou percutées par des objets tombants. Un endroit bien stable améliorera aussi la qualité du son.
- Si les enceintes sont placées sur la même étagère ou dans le même meuble que le tourne-disque, un effet de retour sonore risquera de se produire.
- Le propriétaire du système est entièrement responsable du bon positionnement et de la bonne installation du système. YAMAHA décline toute responsabilité en cas d'accident causé par un positionnement ou une installation inadéquats des enceintes.
- Si des distorsions sonores se produisent, réduire le niveau sonore en baissant la commande de volume de l'amplificateur. Ne jamais laisser de "pincement" sonore se produire sur l'amplificateur. Sinon, les enceintes risqueront d'être endommagées.
- Lorsqu'on utilise un amplificateur dont la puissance de sortie nominale est supérieure à la puissance d'entrée nominale des enceintes, il faut veiller à ne pas dépasser l'entrée maximale des enceintes.
- Ne pas essayer de nettoyer ces enceintes avec des diluants chimiques, ceci endommagerait le fini. Utiliser un chiffon propre et sec.
- Ne pas essayer de modifier ni de réparer les enceintes. Contacter un dépanneur YAMAHA qualifié en cas de nécessité de réparation. Le coffret ne doit jamais être ouvert pour quelque raison que ce soit.
- Bien lire la section "EN CAS DE DIFFICULTE" concernant les erreurs de fonctionnement communes avant de conclure que les enceintes sont défectueuses.
- Cet appareil possédant un amplificateur intégré, de la chaleur sera irradiée par le panneau arrière. Par conséquent, placer l'appareil à une certaine distance des murs, en laissant suffisamment d'espace au-dessus, derrière et des deux côtés de l'appareil afin d'éviter tout risque de dommage ou d'incendie. Ne pas positionner non plus cet appareil dos au plancher ou à une autre surface.
<Modèles pour le Royaume-Uni et l'Europe>
Laisser un espace d'au moins 20 cm au-dessus, derrière et des deux côtés de l'appareil.
- En utilisant un humidificateur, éviter la condensation à l'intérieur de l'appareil en libérant la place autour de l'appareil ou en évitant l'humidification extrême. La condensation peut causer un feu, des dommages à l'appareil et/ou une électrocution.
- Ne pas couvrir le panneau arrière de cet appareil avec quoi que ce soit, journal, nappe, rideau, etc. afin de ne pas entraver la dissipation de la chaleur. Si la température à l'intérieur de cet appareil augmente, un incendie peut se déclarer et endommager cet appareil et/ou causer une blessure corporelle.
- Ne pas brancher cet appareil à une prise murale avant d'avoir terminé toutes les connexions.
- Le voltage à utiliser doit être le même que celui spécifiée sur le panneau arrière. Utiliser cet appareil avec une plus haute tension que celle spécifiée est dangereux et peut causer un incendie, endommager cet appareil et/ou causer une blessure corporelle. YAMAHA ne se tiendra pas responsable d'aucun dommage résultant de l'utilisation de cet appareil avec une tension autre que spécifiée.
- Pour prévenir tout dégât dû à la foudre, débrancher la prise d'alimentation CA en cas d'orage.
- Les sons de très basse fréquence produits par cet appareil peuvent provoquer un sifflement sur le tourne-disque. Dans ce cas, éloigner cet appareil du tourne-disque.
- Cet appareil peut être endommagé si certains sons sont continuellement émis à un niveau sonore élevé. Par exemple, si des ondes sinusoïdales de 20–50 Hz d'un disque d'essai, des sons de graves d'instruments électroniques, etc. sont émis en continu ou si la pointe de lecture d'une platine tourne-disque touche la surface d'un disque, réduire le niveau de volume pour éviter d'endommager cet appareil.
- Si une distorsion se fait entendre (par exemple des petits coups secs intermittents ou un "martèlement") sur cet appareil, diminuer le niveau sonore. La lecture à très haut volume des sons de basse ou des sons de basses fréquence de la bande sonore d'un film, ou de passages de musique populaire de forte intensité, sont susceptibles d'endommager ce système d'enceintes.
- Des vibrations générées par des fréquences supergraves risquent de déformer les images sur un téléviseur. Dans ce cas, éloigner cet appareil du téléviseur.
- Lors du débranchement du cordon d'alimentation de la prise murale, saisir la fiche ; ne pas tirer le cordon.
- Lorsqu'on prévoit de ne pas utiliser cet appareil pendant longtemps (pendant les vacances, par exemple), débrancher le cordon d'alimentation CA de la prise murale.
- **VOLTAGE SELECTOR (Interrupteur de sélection de tension) (Modèles pour la Chine, la Corée et général)**
Le sélecteur de tension sur le panneau arrière de cet appareil doit être réglé sur la tension locale AVANT de brancher l'appareil sur une prise de courant CA.
Les tensions sont de 110-120/220-240 V CA, 50/60 Hz.

Pour le YST-SW005

- Ne pas utiliser cet appareil à l'envers. Il risque d'être en surchauffe et de provoquer des dommages.
- Ne pas forcer les commutateurs, les touches ou les câbles de raccordement. Lors du déplacement de l'appareil, d'abord débrancher la prise d'alimentation et les câbles le raccordant à d'autres appareils. Ne jamais tirer sur les cordons.



Mode veille

Si l'interrupteur POWER est mis sur la position ON et le commutateur AUTO STANDBY sur la position HIGH ou LOW, cet appareil passe en mode veille lorsqu'aucun signal ne parvient à cet appareil pendant 7 ou 8 minutes.

Dans cet état, l'appareil consomme une très faible quantité de courant.

AVERTISSEMENT

AFIN D'ÉVITER TOUT RISQUE D'INCENDIE OU D'ÉLECTROCUTION, NE PAS EXPOSER L'APPAREIL À LA PLUIE NI À L'HUMIDITÉ.

Pour les consommateurs canadiens

Pour éviter les chocs électriques, introduire la lame la plus large de la fiche dans la borne correspondant de la prise et pousser jusqu'au fond.

Cet appareil numérique de la classe B est conforme à la norme NMB-003 du Canada.

ELEMENTS DE L'ENSEMBLE

L'ensemble d'enceintes "NS-P230" et "NS-P236" est conçu pour être utilisé avec un système audio multi-canaux, telle qu'une installation Home Cinéma.

Le NS-P230 contient quatre systèmes d'enceintes NX-230P, un système d'enceinte NX-C230 et un subwoofer YST-SW005.

Le NS-P236 contient cinq systèmes d'enceintes NX-230P, un système d'enceinte NX-C230 et un subwoofer YST-SW005.

<NX-230P>

Système d'enceintes à gamme étendue et à suspension acoustique utilisé pour les enceintes principales et arrière (et enceinte arrière centrale pour le NS-P236)

<NX-C230>

Système d'enceintes à gamme étendue et à suspension acoustique utilisé pour l'enceinte centrale

<YST-SW005>

Subwoofer à Active Servo Processing avec amplificateur incorporé

- Ce subwoofer utilise Advanced YAMAHA Active Servo Technology mise au point par YAMAHA pour la reproduction de basses fréquences de meilleure qualité. (Pour ce qui concerne Advanced YAMAHA Active Servo Technology, se reporter à la page 14.) Ces basses fréquences ajoutent un effet réaliste cinématographique aux sons fournis par une chaîne stéréo.
- Ce subwoofer peut être facilement ajouté à votre chaîne actuelle en le raccordant soit aux bornes d'enceintes soit aux bornes de sortie de ligne (fiche Cinch) de l'amplificateur.
- Le commutateur AUTO STANDBY vous évite d'avoir à régler l'interrupteur POWER sur la position ON ou OFF.

TABLE DES MATIERES

DEBALLAGE	Intérieur du couvercle avant
PRECAUTIONS D'USAGE	1
ELEMENTS DE L'ENSEMBLE	2
DISPOSITION DES ENCEINTES	3
Positionnement du subwoofer	4
Positionnement d'enceinte centrale	4
Montage des enceintes arrière (et d'enceinte arrière centrale pour le NS-P236)	5
Positionnement des enceintes principale/ arrière (et enceinte arrière centrale pour le NS-P236)	6

CONNEXIONS	7
Exemple de raccordement de base	7
Raccordement des câbles d'enceinte aux bornes d'entrée et de sortie des enceintes	9
Raccordement du subwoofer aux bornes de sortie d'enceintes de l'amplificateur	10
UTILISATION DU SUBWOOFER (YST-SW005)	11
Les commandes et leurs fonctions	11
Réglage du subwoofer avant l'utilisation	12
Caractéristiques de fréquence	13
ADVANCED YAMAHA ACTIVE SERVO TECHNOLOGY (pour YST-SW005)	14
EN CAS DE DIFFICULTE	15
CARACTERISTIQUES TECHNIQUES	16

DISPOSITION DES ENCEINTES

Avant d'effectuer les raccordements, bien placer toutes les enceintes à leur position respective. Le bon positionnement des enceintes est important, car de lui dépend la bonne qualité sonore du système tout entier.

Placer les enceintes par rapport à la position d'écoute en suivant les instructions ci-dessous.

Installation des enceintes

<NS-P230>

Cet ensemble est composé de 6 enceintes : deux enceintes principales, deux enceintes arrière, une enceinte centrale et un subwoofer.

Les enceintes principales assurent l'émission du son de la source principale. Les enceintes arrière assurent l'émission des sons d'ambiance, et l'enceinte centrale assure l'émission des sons centraux (dialogue, etc.). Le subwoofer permet de renforcer les basses fréquences de la chaîne.

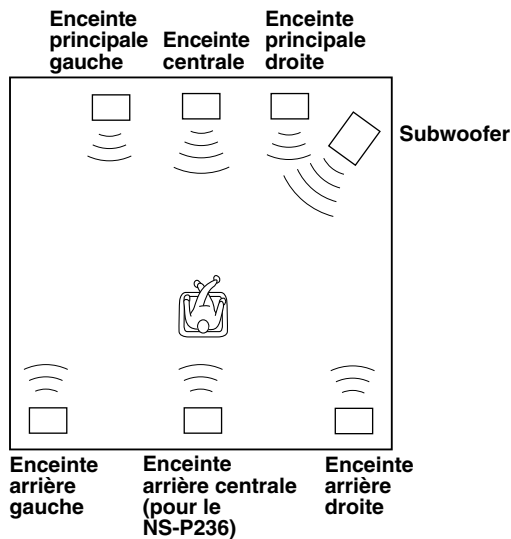
<NS-P236>

Cet ensemble est composé de 7 enceintes : deux enceintes principales, deux enceintes arrière, une enceinte centrale, une enceinte arrière centrale et un subwoofer.

Les enceintes principales assurent l'émission du son de la source principale. Les enceintes arrière et arrière centrale assurent l'émission des sons d'ambiance, et l'enceinte centrale assure l'émission des sons centraux (dialogue, etc.). Le subwoofer permet de renforcer les basses fréquences de la chaîne.

Remarque

Dans cet ensemble d'enceintes, les mêmes enceintes (NX-230P) sont utilisées pour les enceintes principales et arrière (et l'enceinte arrière centrale pour le NS-P236).



Positionnement des enceintes

Enceintes principales :

Des deux côtés du téléviseur et à peu près à la même hauteur que le téléviseur.

Enceintes arrière : Derrière la position d'écoute, dirigées légèrement vers l'intérieur. A environ 1,8 m du sol.

Enceinte centrale : Exactement au milieu des enceintes principales.

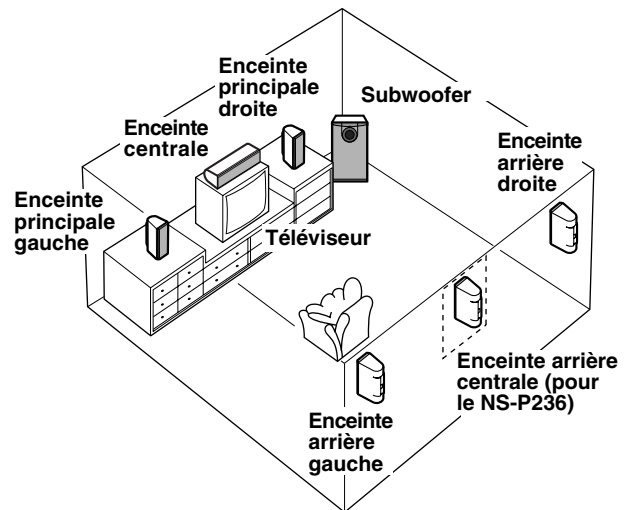
Enceinte arrière centrale (pour le NS-P236) :

Exactement au milieu des enceintes arrière.

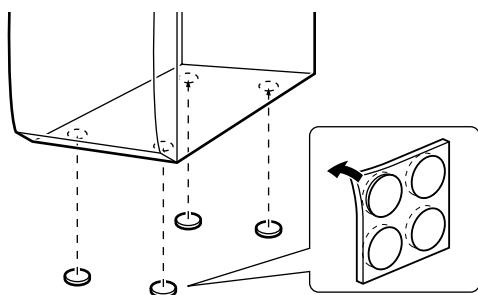
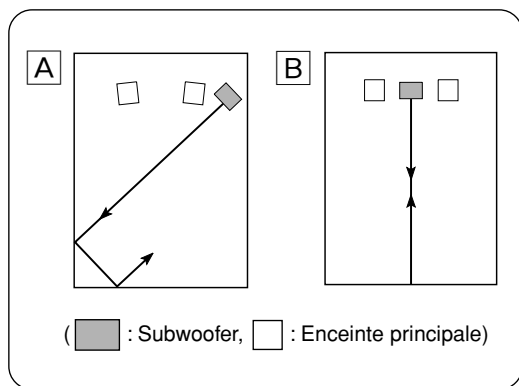
Subwoofer :

La position du subwoofer n'est pas extrêmement importante, car les sons de basses fréquences ne sont pas très directionnels.

Pour obtenir un conseil concernant le positionnement du subwoofer, se reporter à la section "Positionnement du subwoofer" ci-dessous.



■ Positionnement du subwoofer



Il est recommandé de placer le subwoofer sur le côté extérieur de l'enceinte principale droite ou gauche. (Voir fig. [A].) Il est également possible de positionner les enceintes comme indiqué sur la fig. [B] ; cependant, si le subwoofer est placé directement contre le mur, l'effet de basse pourra se trouver supprimé car le son émis par l'enceinte et le son renvoyé par le mur s'annuleront mutuellement. Pour éviter ce problème, placer le subwoofer à angle oblique par rapport au mur, comme indiqué sur la fig. [A].

Remarque

Les sons de très basses fréquences du subwoofer peuvent quelquefois être trop faiblement perçus à partir d'une position d'écoute en milieu de pièce. Les ondes renvoyées par deux murs parallèles peuvent en effet s'annuler mutuellement et supprimer les sons de basses. Dans un tel cas, diriger le subwoofer obliquement par rapport au mur. Il peut être également nécessaire de modifier le parallélisme des surfaces murales en plaçant des étagères, etc. le long des murs.

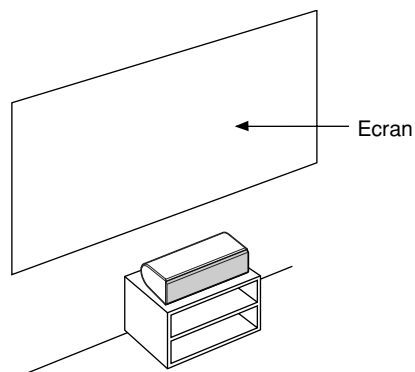
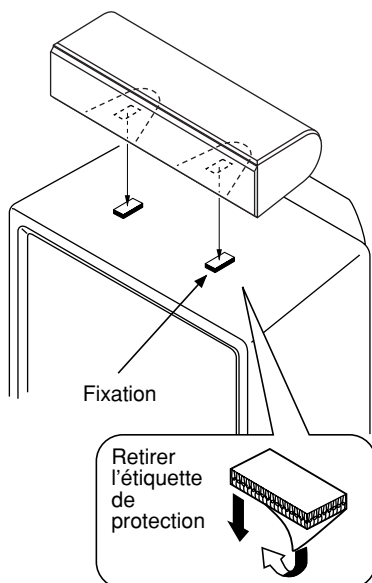
Utiliser les tampons anti-dérapage

Mettre les tampons anti-dérapage fournis aux quatre coins du bas du subwoofer afin d'empêcher le subwoofer de bouger sous l'effet des vibrations, etc.

■ Positionnement d'enceinte centrale

Vous pouvez placer l'enceinte sur un téléviseur dont la surface est bien plane ou sur le sol en dessous du téléviseur ou dans le meuble du téléviseur de manière à ce qu'elle soit bien stable.

Lorsque l'enceinte est placée sur le téléviseur, pour éviter qu'elle ne tombe, attacher les fixations fournies en deux endroits sous l'enceinte et sur le téléviseur.

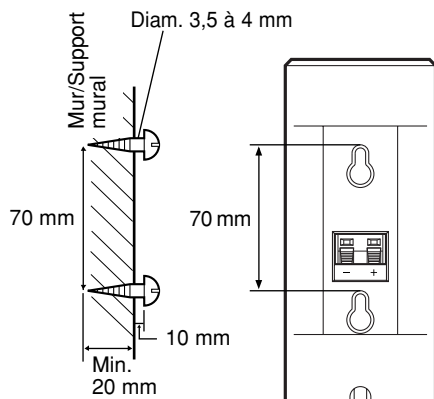


Remarques

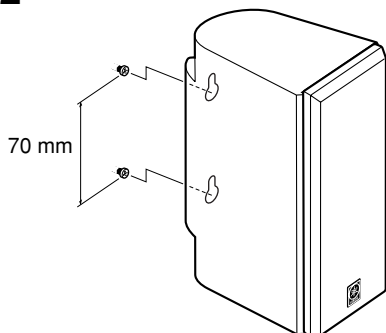
- Ne pas placer l'enceinte sur le téléviseur si la surface supérieure du téléviseur est plus petite que la surface inférieure de l'enceinte. L'enceinte risquerait de tomber et de provoquer des blessures corporelles.
- Ne pas installer l'enceinte sur le téléviseur si sa surface supérieure est inclinée.
- Ne pas toucher la surface adhésive de la fixation après avoir retiré l'étiquette de protection, car ceci risque de réduire son pouvoir adhésif.
- Nettoyer correctement au préalable la surface où la fixation doit être placée. Veuillez noter que le pouvoir adhésif est considérablement réduit si cette surface est sale, grasse, ou humide, ce qui pourrait causer la chute de l'enceinte centrale.

■ Montage des enceintes arrière (et d'enceinte arrière centrale pour le NS-P236)

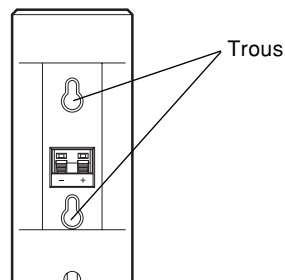
1 Vis à tôle (disponible dans les quincailleries)



2



Monter les enceintes arrière (et l'enceinte arrière centrale pour le NS-P236) sur un rayon, sur une étagère ou directement sur le sol ou les pendre au mur.



Monter les enceintes au mur en utilisant les trous sur les panneaux arrière des enceintes

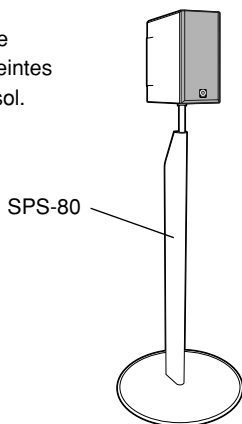
- 1** Visser les vis dans un mur ferme ou un support mural comme montré sur l'illustration.
- 2** Suspendre les enceintes en montant les trous sur les vis dépassant.
 - * S'assurer que les vis soient bien prises par les parties étroites du trou.

AVERTISSEMENT

- Chaque enceinte pèse 0,9 kg. Ne pas les monter sur du contreplaqué mince ou un mur mou. Sinon, les vis pourraient ressortir d'une surface trop mince provoquant la chute des enceintes. Ceci risquerait d'endommager les enceintes ou de provoquer des blessures corporelles.
- Ne pas fixer les enceintes au mur en utilisant des clous, de l'adhésif ou tout autre matériau instable. A la longue, l'usure et les vibrations peuvent provoquer leur chute.
- Afin d'éviter tout accident provoqué par des cordons d'enceintes traînants, les fixer au mur.
- Sélectionner une position adéquate sur le mur pour monter l'enceinte de manière que personne ne risque de se blesser la tête ou le visage.

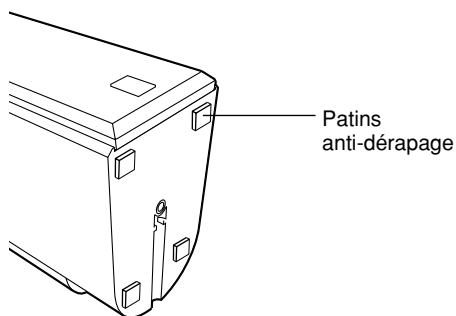
Utilisation du support d'enceinte Yamaha SPS-80 (option)

Avec le support d'enceinte Yamaha SPS-80, les enceintes peuvent être placées au sol.



* Le SPS-80 n'est pas disponible partout.

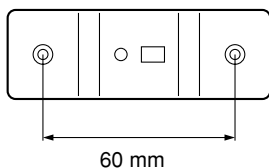
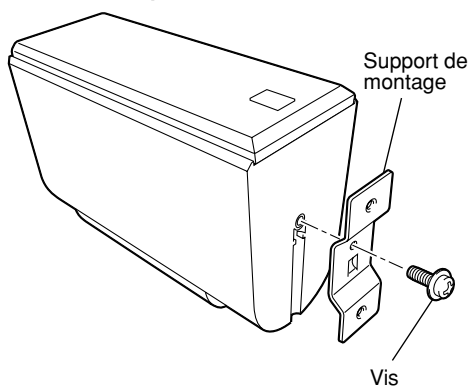
■ Positionnement des enceintes principale/arrière (et enceinte arrière centrale pour le NS-P236)



Lorsque les enceintes sont placées sur une surface plane, fixer les patins anti-dérapage fournis aux coins, sous les enceintes comme indiqué à gauche. Cela évite que les enceintes glissent.

* Pour le NS-P236, quatre patins anti-dérapage de rechange sont fournis.

Si vous souhaitez monter l'enceinte sur un support d'enceinte disponible dans le commerce pour les enceintes principale/arrière (et l'enceinte arrière centrale pour le NS-P236)



Le support de montage fourni avec une paire d'orifices de vis (à un intervalle de 60 mm) peut être utilisé pour monter l'enceinte sur un support d'enceinte.

* Ces trous de vis peuvent être utilisés avec les vis M4 uniquement.

- 1 Fixer le support au bas de l'enceinte en utilisant la vis fournie de manière que la partie convexe du support s'engage dans la rainure située au bas de l'enceinte, comme indiqué sur l'illustration ci-contre à gauche.
- 2 Monter l'enceinte sur le support d'enceinte en utilisant les orifices de vis du support.

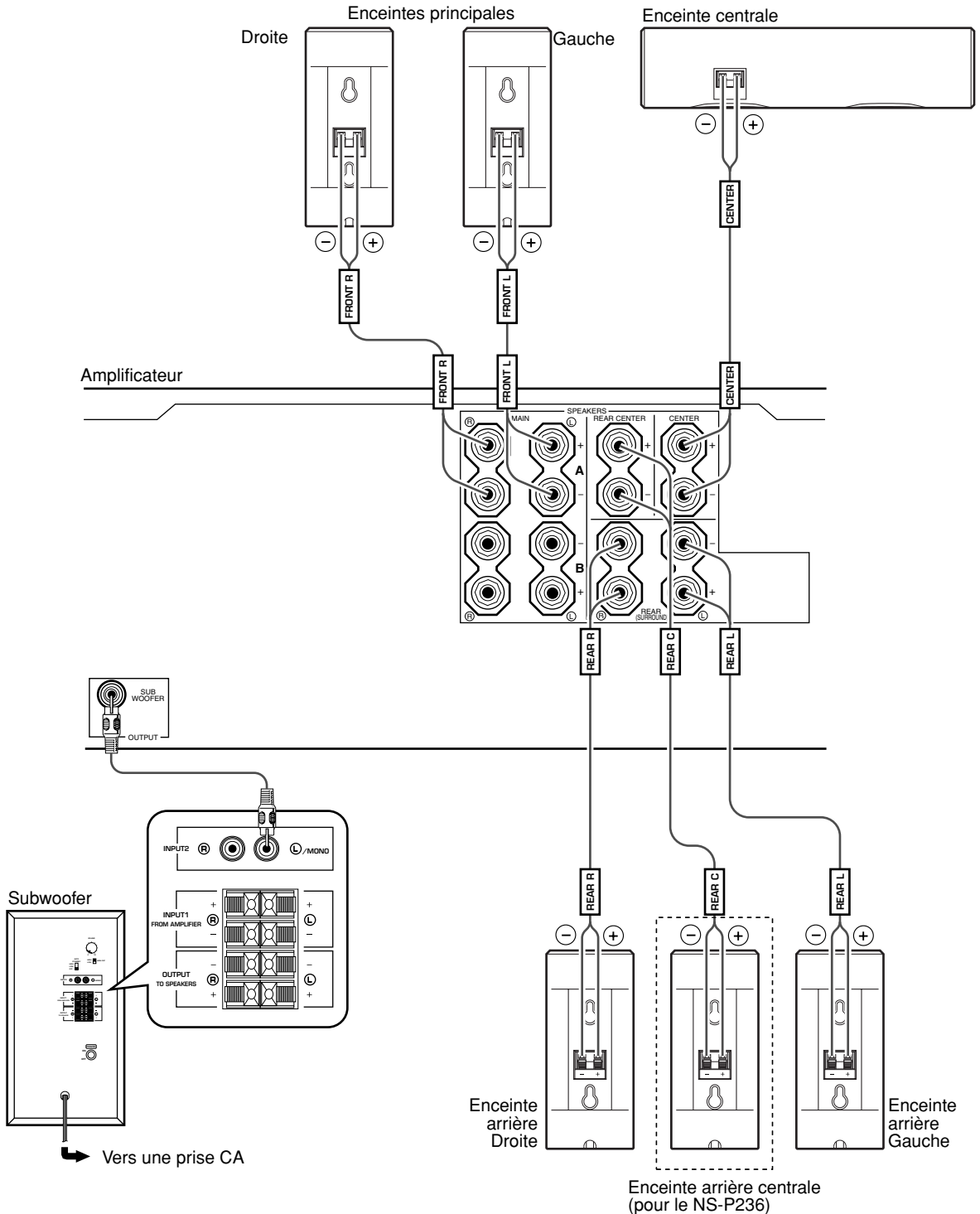
Remarque

Le support de montage est fourni pour chaque enceinte.

CONNEXIONS

Attention: Brancher le subwoofer et les autres composants audio/vidéo après avoir accompli tous les raccordements.

■ Exemple de raccordement de base



- Raccorder les enceintes principales, centrale et arrière (et l'enceinte arrière centrale pour le NS-P236) aux bornes de sortie d'enceintes de l'amplificateur en utilisant les câbles d'enceintes fournis.
 - * Les câbles d'enceintes fournis sont équipés d'étiquettes portant les marques FRONT L, FRONT R, CENTER, REAR L, REAR R (et REAR C pour le NS-P236). Raccorder chaque fil d'enceinte à l'enceinte correspondante, comme indiqué sur l'illustration à la page 7.
 - * Raccorder chaque enceinte en veillant à ne pas inverser les polarités (+, -). Si l'enceinte est raccordée avec une polarité inversée, le son manquera de naturel et de graves.
 - * Seulement pour les enceintes principales et arrière, raccorder une enceinte aux bornes gauches (marquées L) de l'amplificateur, et l'autre enceinte aux bornes droites (marquées R).
- Fondamentalement, raccorder le subwoofer à la (aux) borne(s) de sortie de ligne (prise à broche) de l'amplificateur. Si l'amplificateur n'est pas équipé d'une borne de sortie de ligne, raccorder le subwoofer aux bornes de sortie d'enceintes de l'amplificateur. (Pour plus de détails, se reporter à la page 9.)
 - * Pour effectuer le raccordement à un amplificateur YAMAHA DSP (ou récepteur AV), raccorder la borne SUBWOOFER (ou LOW PASS, etc.) située à l'arrière de l'amplificateur DSP (ou récepteur AV) à la borne Ⓐ/MONO INPUT2 du subwoofer.
 - * Pour raccorder le subwoofer aux bornes SPLIT SUBWOOFER à l'arrière de l'amplificateur DSP, les raccorder aux bornes INPUT2 gauche Ⓐ et droite Ⓑ du subwoofer.

Remarque

Pour faire un raccordement à une borne de sortie de ligne mono de l'amplificateur, raccorder la borne Ⓐ/MONO INPUT2 à cette borne.

■ Raccordement des câbles d'enceinte aux bornes d'entrée et de sortie des enceintes

Pour les raccordements, laisser les câbles d'enceinte aussi courts que possible. Ne pas plier ni enrouler la partie en excès des câbles. Si les raccordements sont incorrects, aucun son ne parviendra des enceintes.

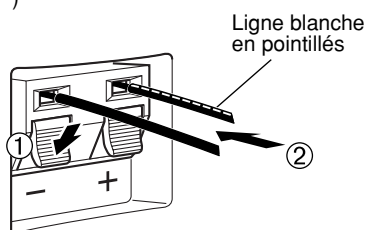
Enceintes principale/centrale/arrière Enceinte arrière centrale (pour le NS-P236)

Un côté des câbles d'enceintes fournis est marqué d'une ligne blanche en pointillés, et l'autre côté ne porte aucune ligne.

Raccorder les bornes (+) de l'enceinte et de l'amplificateur en utilisant le côté marqué d'une ligne blanche en pointillés. Raccorder les bornes (-) des deux composants en utilisant le côté ne portant pas de ligne.

Rouge : positif (+)

Noir : négatif (-)

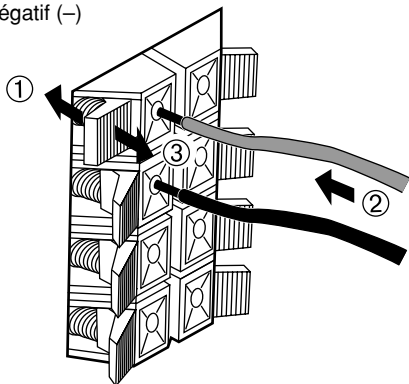


Subwoofer (bornes INPUT1/OUTPUT)

Raccorder les bornes (+) du subwoofer et de l'amplificateur en utilisant un côté du câble. Raccorder les bornes (-) des deux composants en utilisant l'autre côté du câble.

Rouge : positif (+)

Noir : négatif (-)



Avant la connexion

Dénuder chacune des extrémités des câbles d'enceinte en retirant la gaine.

Bon Mauvais



Raccordement :

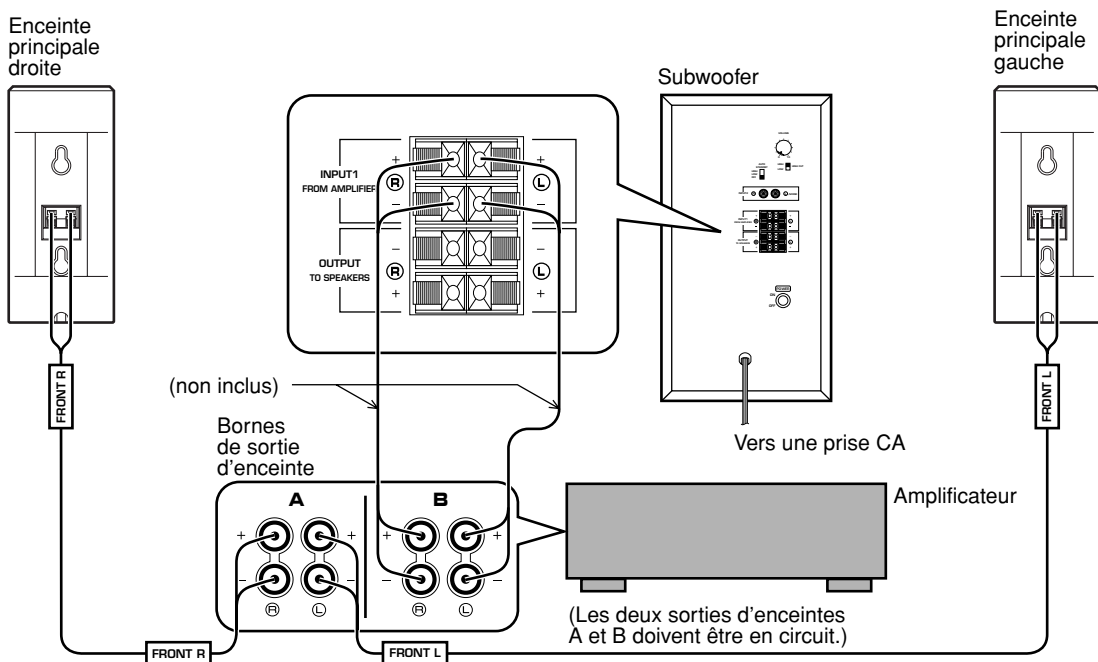
- ① Maintenir la languette de la borne enfoncée comme indiqué sur l'illustration.
- ② Insérer le câble dénudé.
- ③ Retirer le doigt de la languette et vérifier que le raccordement soit bien solide.
- ④ Vérifier que le raccordement soit bien solide en tirant légèrement sur le câble au niveau de la borne.

Remarque

Veiller à ce que les câbles dénudés ne se touchent pas car ceci pourrait abîmer l'enceinte, l'amplificateur ou les deux appareils.

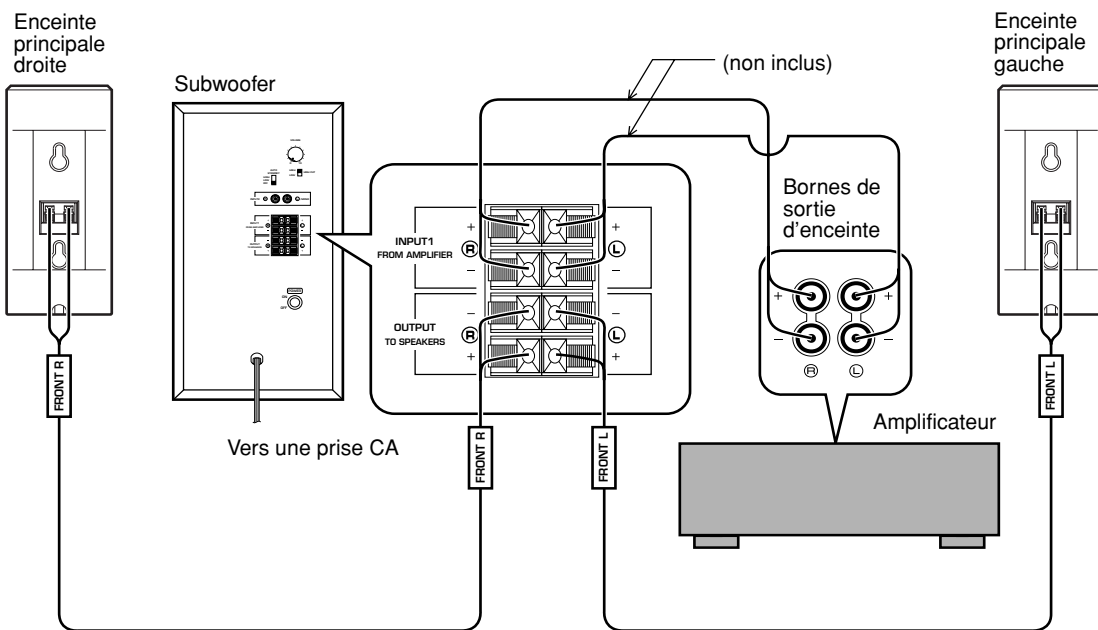
■ Raccordement du subwoofer aux bornes de sortie d'enceintes de l'amplificateur

Si l'amplificateur est équipé de deux paires de bornes de sortie d'enceintes



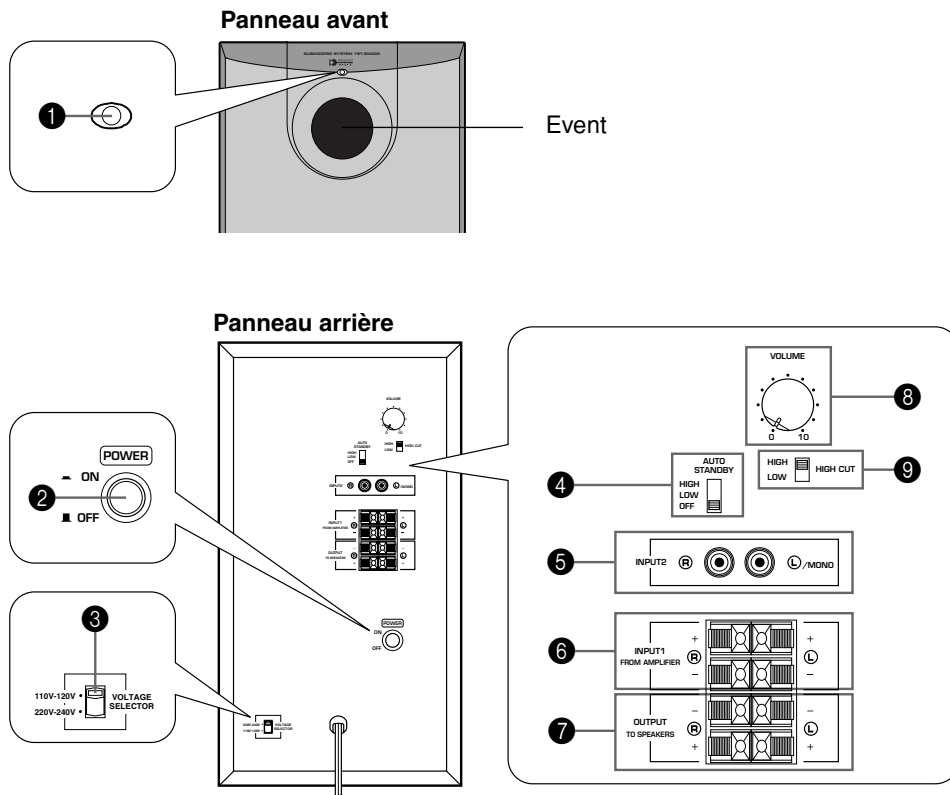
Si l'amplificateur n'est équipé que d'un seul jeu de bornes de sortie d'enceintes principales

Raccorder les bornes de sortie d'enceintes de l'amplificateur aux bornes INPUT1 du subwoofer, et raccorder les bornes OUTPUT du subwoofer aux enceintes principales.



UTILISATION DU SUBWOOFER (YST-SW005)

■ Les commandes et leurs fonctions



1 Voyant Power
S'allume en VERT lorsque l'interrupteur **POWER** (2) est enfoncé en position ON, et s'éteint lorsqu'il est mis sur la position OFF.

* Mode veille

Si l'interrupteur **POWER** (2) est enfoncé en position ON et le commutateur **AUTO STANDBY** (4) sur la position HIGH ou LOW, ce voyant s'allume en ROUGE lorsqu'aucun signal n'est reçu par le subwoofer.

2 Interrupteur d'alimentation **POWER**
Appuyer sur cet interrupteur pour le mettre en position ON pour mettre le subwoofer sous tension. Lorsque le subwoofer est sous tension, le voyant d'alimentation (1) situé sur le panneau avant s'allume en VERT. Appuyer sur cet interrupteur pour le mettre en position OFF pour mettre le subwoofer hors tension.

3 Interrupteur de sélection de tension (**VOLTAGE SELECTOR**) (modèles pour la Chine, la Corée et général)
Si le réglage d'usine de l'interrupteur est incorrect, placer l'interrupteur sur la plage de tension correcte (220V-240V ou 110-120V) pour votre pays. Si vous avez des doutes concernant le réglage correct, consultez votre revendeur.

AVERTISSEMENT

Veiller absolument à débrancher le subwoofer avant de régler correctement l'interrupteur VOLTAGE SELECTOR.

4 Commutateur **AUTO STANDBY (HIGH/LOW/OFF)**
Ce commutateur est à l'origine placé en position OFF. En mettant ce commutateur sur la position HIGH ou LOW, la fonction de commutation d'alimentation automatique du subwoofer fonctionne comme expliqué à la page 9. Si l'on ne désire pas utiliser cette fonction, mettre le commutateur sur la position OFF.

* Veiller à changer le réglage de cet interrupteur seulement lorsque l'interrupteur **POWER** (2) est sur la position OFF.

5 Bornes **INPUT2**
Elles servent à entrer les signaux du niveau de ligne provenant de l'amplificateur.

6 Bornes **INPUT1 (FROM AMPLIFIER)**
Elles servent à raccorder le subwoofer aux bornes d'enceinte de l'amplificateur.

7 Bornes **OUTPUT (TO SPEAKERS)**
Elles peuvent servir à raccorder les enceintes principales. Les signaux sortant des bornes d'entrée **INPUT1** (6) sont envoyés vers ces bornes.

8 Commande **VOLUME**
Pour régler le niveau de volume; tourner la commande dans le sens horaire pour augmenter le niveau de volume, et dans le sens anti-horaire pour le diminuer.

9 Commutateur **HIGH CUT (HIGH/LOW)**
Sélectionne le point de coupure haute fréquence. Normalement, il est réglé sur LOW, cependant, il se peut que vous ayez besoin de le mettre sur HIGH si nécessaire. Se reporter aux pages 12 et 13.

Fonction de commutation d'alimentation automatique

Si la source en cours de lecture est arrêtée ou si le signal d'entrée est coupé pendant 7 à 8 minutes, le subwoofer passe automatiquement en mode veille. (En commutant le subwoofer en mode de veille par la fonction de commutation d'alimentation automatique, le témoin d'alimentation s'allume en rouge.)

Lors de la lecture d'une autre source, le subwoofer se met automatiquement sous tension en détectant les signaux audio envoyés vers le subwoofer.

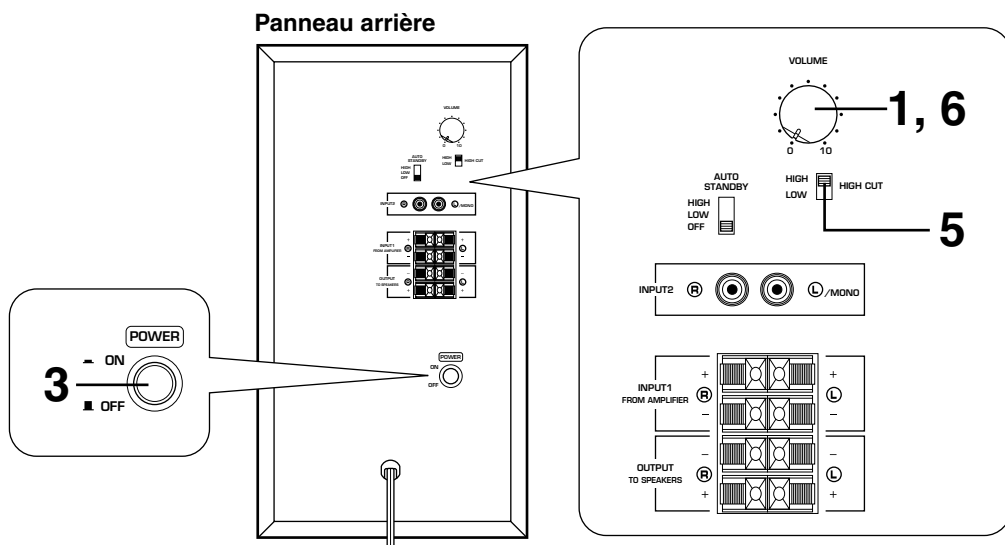
Cette fonction s'activera en détectant un certain niveau du signal d'entrée de basses fréquences. Normalement, régler le commutateur **AUTO STANDBY** sur la position LOW. Cependant, si le subwoofer ne se met pas sous tension (ON) et en veille (STANDBY) correctement, régler le commutateur sur la position HIGH. En position HIGH, l'alimentation électrique sera établie même avec un bas niveau de signal d'entrée. Toutefois, bien noter qu'il est possible que le subwoofer ne passe pas au mode veille lorsqu'un signal d'entrée extrêmement bas est reçu.

- * Il se peut que l'alimentation électrique s'établisse de manière inattendue si du bruit provenant d'autres appareils est détecté. Si ceci se produit, mettre le commutateur **AUTO STANDBY** sur la position OFF et utiliser l'interrupteur **POWER** pour commuter l'alimentation entre ON et OFF manuellement.
- * Cette fonction détecte les composantes de basses fréquences inférieures à 200 Hz des signaux d'entrée (par exemple une explosion dans un film d'action, les sons d'une basse ou d'une grosse caisse, etc.)
- * Il est possible que le nombre de minutes nécessaires au passage du subwoofer en mode veille diffère si du bruit provenant d'autres appareils est détecté.

Cette fonction est utilisable seulement lorsque le subwoofer est sous tension (en appuyant sur l'interrupteur POWER).

■ Réglage du subwoofer avant l'utilisation

Avant d'utiliser le subwoofer, régler celui-ci pour obtenir l'équilibre de volume et de tonalité optimum entre le subwoofer et les enceintes principales en suivant les procédures indiquées ci-dessous.



- 1 Mettre la commande **VOLUME** au minimum (0).
- 2 Mettre tous les autres composants sous tension.
- 3 Appuyer sur le commutateur **POWER** pour le placer en position ON.
 - * Le témoin d'alimentation sur le panneau avant s'allume en vert.
- 4 Effectuer la lecture d'une source disposant de composants de basse fréquence puis ajuster le volume de l'amplificateur au niveau d'écoute désiré.
- 5 Placer le commutateur **HIGH CUT** en position LOW ou HIGH.

Ce subwoofer est conçu de sorte qu'un équilibre de tonalité optimum soit obtenu entre le subwoofer et les enceintes centrales lorsque ce commutateur est réglée en position LOW. Toutefois, l'équilibre de tonalité risque de changer en fonction de la taille de la pièce, la distance du subwoofer aux enceintes principales, etc. Passer en position HIGH si nécessaire.

- 6 Augmenter progressivement le volume afin de régler l'équilibre de volume entre le subwoofer et les enceintes principales.

Normalement, régler cette commande à un niveau tel que vous pouvez obtenir un peu plus d'effet de basses que lorsque cette unité n'est pas utilisée. Si la réponse désirée ne peut pas être obtenue, ajuster le commutateur **HIGH CUT** et la commande de volume **VOLUME** une nouvelle fois.

- Une fois le réglage de l'équilibre de volume entre le subwoofer et les enceintes principales accompli, il est possible de régler le son global de la chaîne en utilisant la commande de volume de l'amplificateur. Toutefois, si l'on met d'autres enceintes à la place des enceintes principales (NX-230P), il faut refaire ce réglage.
- Pour régler la commande de **VOLUME** et le commutateur **HIGH CUT**, se référer aux "Caractéristiques de fréquence" ci-dessous.

■ Caractéristiques de fréquence

La **Fig. 1** montre les caractéristiques de fréquence du subwoofer dans chaque position (HIGH/LOW) du commutateur **HIGH CUT**.

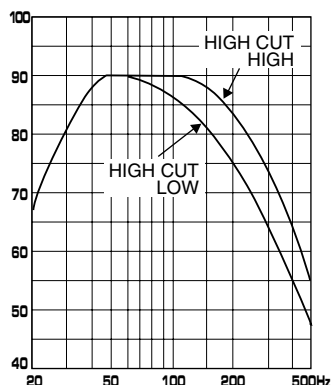


Fig. 1

La **Fig. 2** montre le niveau de volume optimal avec le commutateur **HIGH CUT** en position HIGH et les caractéristiques de fréquences lorsque le subwoofer est en combinaison avec le NX-230P.

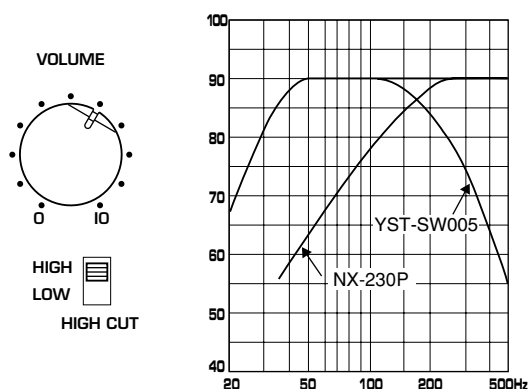


Fig. 2

ADVANCED YAMAHA ACTIVE SERVO TECHNOLOGY (pour YST-SW005)

La théorie de l'Active Servo Technology Yamaha repose sur deux principes: cavité résonnante de Helmholtz et circuit d'attaque d'amplificateur à impédance négative. Des enceintes à Active Servo Processing actif reproduit les basses fréquences à travers un "woofer à air" qui est un événement pratiqué sur la face avant de l'enceinte. Cet événement simule le fonctionnement – et est utilisé à la place – de l'enceinte électrodynamique spécial pour basses que l'on trouve dans une enceinte conventionnelle. Suivant la théorie de la cavité résonnante de Helmholtz, de petites oscillations à l'intérieur de la cavité donnent lieu à des oscillations de grandes amplitudes à la sortie de l'événement, si toutefois la taille de l'événement et le volume de la cavité l'enceinte sont correctement proportionnés selon un certain taux. Les oscillations de l'air contenu dans la cavité doivent de plus satisfaire à des conditions précises et être d'amplitude suffisante pour vaincre l'inertie de la masse d'air de l'enceinte.

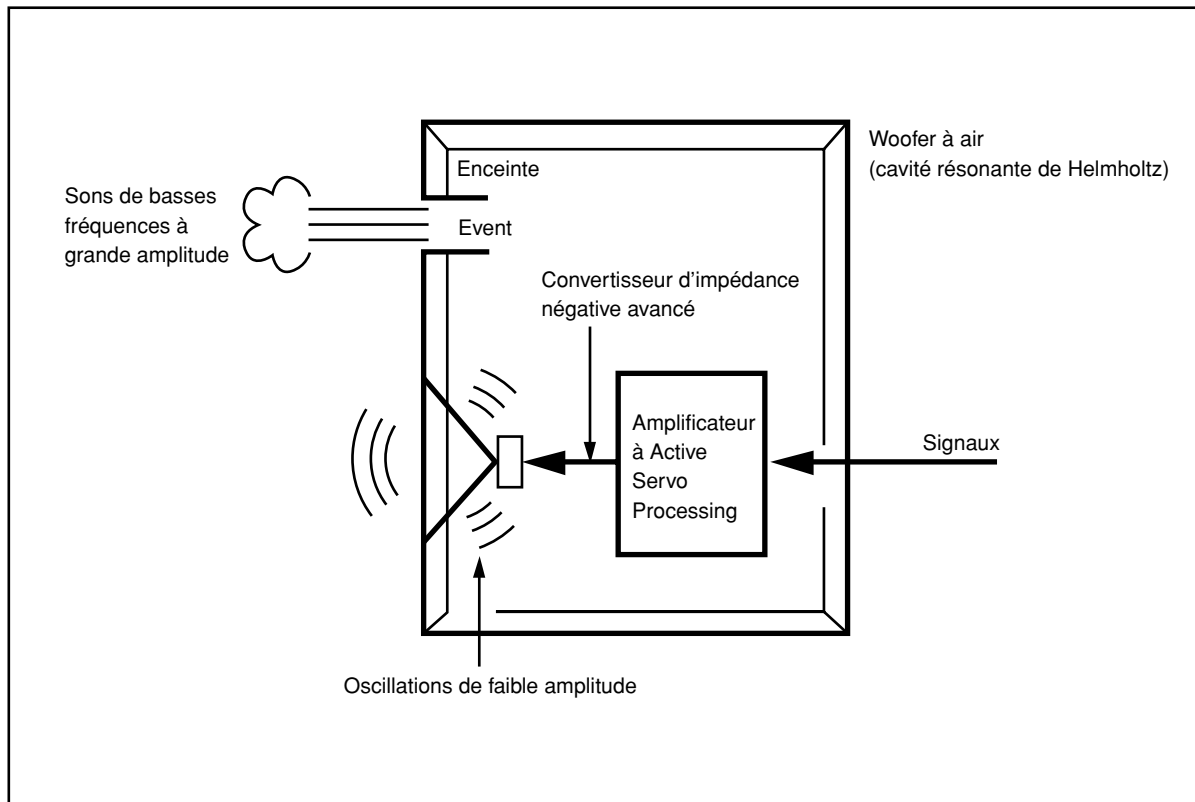
Ce problème est résolu électroniquement grâce à un amplificateur de conception nouvelle qui fournit des signaux spéciaux. Si la résistance électrique de la bobine de l'enceinte pouvait être réduite à zéro, le cône de l'enceinte répondrait de façon linéaire aux variations de voltage du signal. Ceci peut être simulé grâce à un circuit d'attaque à

impédance négative qui soustrait l'impédance de l'enceinte de l'impédance de sortie de l'amplificateur.

Le circuit d'attaque à impédance négative délivre de façon précise le signal basses fréquences à faible amplitude et à facteur d'amortissement supérieur. Ces oscillations importantes sont ensuite émises à la sortie de l'événement. Ce système qui combine un circuit d'attaque à impédance négative et une cavité résonnante de Helmholtz reproduit le son sur une plage de fréquences ultra-large avec une fidélité surprenante et moins de distorsion.

Les caractéristiques décrites ci-dessus constituent ce que nous appelons ici l'Active Servo Technology classique.

Notre nouvelle Active Servo Technology – Advanced Yamaha Active Servo Technology – a adopté les circuits ANIC (Advanced Negative Impedance Converter) qui permet au convertisseur d'impédance négative classique de s'adapter de manière dynamique à la valeur optimale de la variation d'impédance de l'enceinte. Avec ces nouveaux circuits ANIC, la Advanced Yamaha Active Servo Technology peut atteindre des performances plus stables et améliorer la pression sonore par rapport à l'Active Servo Technology classique de Yamaha. Le résultat en est une restitution plus naturelle et dynamique des basses fréquences.



EN CAS DE DIFFICULTE

Se reporter au tableau ci-dessous lorsque l'appareil ne fonctionne pas correctement. Si le problème rencontré n'est pas décrit ci-dessous ou si les instructions données ne suffisent pas à le résoudre, débrancher le cordon d'alimentation et s'adresser à son concessionnaire ou son centre de service YAMAHA.

Problème	Cause	Marche à suivre
Pas de son.	Les cordons d'enceintes ne sont pas fermement raccordés.	Les raccorder fermement.
Le niveau sonore est trop bas.	Les cordons d'enceintes ne sont pas correctement raccordés.	Les raccorder correctement, c'est à dire de L (gauche) à L, de R (droite) à R, de "+" à "+", et de "-" à "-".

Pour le YST-SW005

Problème	Cause	Marche à suivre
L'alimentation électrique ne parvient pas à destination, bien que l'interrupteur POWER soit sur la position ON.	La prise d'alimentation n'est pas correctement branchée.	La brancher fermement.
Pas de son.	La commande VOLUME est sur 0.	Tourner la commande VOLUME vers la droite, dans le sens des aiguilles d'une montre.
	Les câbles d'enceintes ne sont pas correctement raccordés.	Les raccorder fermement.
Le niveau sonore est trop bas.	Les câbles d'enceintes ne sont pas correctement raccordés.	Les raccorder correctement, c'est à dire de L (gauche) à L, de R (droite) à R, de "+" à "+", et de "-" à "-".
	Le son de la source contient peu de sons graves.	Faire la lecture d'un son de source contenant des graves. Placer le commutateur HIGH CUT en position "HIGH".
	Les ondes sonores renvoyées par les murs s'annulent.	Changer la position du caisson de graves ou modifier le parallélisme des surfaces murales en plaçant des étagères etc. le long des murs.
Le subwoofer ne s'active pas automatiquement.	L'interrupteur POWER est mis sur la position OFF.	Mettre l'interrupteur POWER sur la position ON.
	Le commutateur AUTO STANDBY est mis sur la position OFF.	Mettre le commutateur AUTO STANDBY sur la position "HIGH" ou "LOW".
	Le niveau du signal d'entrée est trop bas.	Mettre le commutateur AUTO STANDBY sur la position "HIGH".
Le subwoofer ne passe pas automatiquement en mode veille.	L'enclenchement est dû à des interférences produit par des appareils extérieurs, etc.	Eloigner le subwoofer de ces appareils et/ou repositionner les câbles des enceintes raccordées. Ou encore, mettre le commutateur AUTO STANDBY sur la position "OFF".
	Le commutateur AUTO STANDBY est mis sur la position OFF.	Mettre le commutateur AUTO STANDBY sur la position "HIGH".
Le subwoofer est mis sous tension de manière aléatoire.	Le niveau du signal d'entrée est trop bas.	Mettre le commutateur AUTO STANDBY sur la position "HIGH".
Le subwoofer est mis en marche de manière inattendue.	L'enclenchement est dû à des interférences produit par des appareils extérieurs, etc.	Eloigner le subwoofer de ces appareils et/ou repositionner les câbles des enceintes raccordées. Ou encore, mettre le commutateur AUTO STANDBY sur la position "OFF".

CARACTERISTIQUES TECHNIQUES

■ NX-230P, NX-C230

Type Système d'enceintes à gamme étendue
et à suspension acoustique
Type à blindage magnétique

Pilote Enceinte en cône à gamme étendue de 5 cm x 2

Puissance d'entrée nominale 30W

Puissance d'entrée maximale 100W

Impédance 6Ω

Réponse en fréquence

<NX-230P> 100 Hz à 30 kHz

<NX-C230> 75 Hz à 30 kHz

Sensibilité 86 dB/2,83V/m

Dimensions (L x H x P)

<NX-230P> 72 mm x 164 mm x 111 mm

<NX-C230> 300 mm x 72 mm x 110 mm

Poids

<NX-230P> 0,9 kg

<NX-C230> 1,1 kg

■ YST-SW005

Type Advanced Yamaha Active Servo Technology
Type à blindage magnétique

Pilote Enceinte grave en cône de 16 cm

Sortie de l'amplificateur

Modèles pour les Etats-Unis et le Canada

..... 55W/5Ω

Autres modèles 50W/5Ω

Réponse en fréquence 30 Hz à 200 Hz

Alimentation

Modèles pour les Etats-Unis et le Canada

..... CA 120V, 60 Hz

Modèles pour le Royaume-Uni et l'Europe

..... CA 230V, 50 Hz

Modèle pour l'Australie CA 240V, 50 Hz

Modèles pour la Chine, la Corée et général

..... CA 110-120/220-240V, 50/60 Hz

Consommation 60W
(en mode veille: 0,8W)

Dimensions (L x H x P) 200 mm x 365 mm x 375 mm

Poids 8,5 kg

* Noter que toutes les caractéristiques techniques sont modifiables sans préavis.

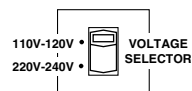
ZUR BEACHTUNG: Bitte lesen Sie diese Bedienungsanleitung vor Inbetriebnahme des Gerätes.

- Bitte lesen Sie diese Bedienungsanleitung sorgfältig durch, damit die beste Geräteleistung gewährleistet werden kann. Heben Sie die Bedienungsanleitung auf, um auch später noch nachschlagen zu können.
- Die Lautsprecher an einem kühlen, trockenen und sauberen Platz aufstellen – entfernt von Fenstern, Wärmequellen, Erschütterungen, Staub, Feuchtigkeit und Kälte. Entfernt von elektrischen Störquellen (Transformatoren, Motoren) aufstellen. Die Lautsprecher dürfen keinem Regen oder Feuchtigkeit ausgesetzt werden, um elektrische Schläge und Feuer zu vermeiden.
- Um ein Verziehen oder Verfärben des Gehäuses zu verhindern, sollten Sie die Lautsprecher nicht in direktem Sonnenlicht oder an Orten aufstellen, an denen eine hohe Luftfeuchtigkeit herrscht.
- Stellen Sie die Lautsprecher nicht dort auf, wo Gegenstände auf sie fallen könnten. Vermeiden Sie darüber hinaus Plätze, an denen das Gerät auslaufenden Flüssigkeiten oder Wasserspritzern ausgesetzt wäre. Die folgenden Gegenstände sollten Sie nicht auf die Lautsprecher stellen:
 - Andere Komponenten, da diese die Oberfläche der Lautsprecher beschädigen und/oder Verfärbungen verursachen könnten.
 - Brennende Gegenstände (z.B. Kerzen), da diese einen Brand, eine Beschädigung der Lautsprecher und/oder Personenschäden verursachen könnten.
 - Mit Flüssigkeit gefüllte Behälter, da diese einen elektrischen Schlag und/oder eine Beschädigung der Lautsprecher verursachen könnten.
- Stellen Sie die Lautsprecher nicht dort auf, wo sie leicht umfallen oder wo Gegenstände auf sie fallen könnten. Ein stabiler Aufstellungsort trägt auch zu einer besseren Tonwiedergabe bei.
- Falls die Lautsprecher im gleichen Regal wie der Plattenspieler aufgestellt werden, können Rückkopplungen auftreten.
- Richtige Aufstellung und richtiger Anschluß liegt in der Verantwortung des Besitzers. YAMAHA kann keine Verantwortung für Unfälle oder Schäden übernehmen, die durch unsachgemäße Aufstellung oder falsches Anschließen der Lautsprecher verursacht werden.
- Bei Auftreten von Tonwiedergabeverzerrungen müssen Sie den Lautstärkepegel mit dem Lautstärkeregel des Verstärkers reduzieren. Der Verstärker darf nicht in "Clipping" verfallen, weil sonst die Lautsprecher beschädigt werden können.
- Wenn Sie einen Verstärker verwenden, dessen Nennleistung oberhalb der Belastbarkeit der Lautsprecher liegt, so darf die Belastbarkeitsgrenze der Lautsprecher niemals überschritten werden.
- Zur Reinigung keine chemischen Lösungsmittel verwenden, weil dadurch die Gehäuseoberfläche beschädigt werden könnte. Mit einem sauberen, trockenen Tuch reinigen.
- Versuchen Sie weder, die Lautsprecher zu modifizieren noch zu reparieren. Kontaktieren Sie einen qualifizierten YAMAHA-Kundendienst, wenn eine Reparatur erforderlich sein sollte. Das Gehäuse darf unter keinen Umständen geöffnet werden.
- Der Abschnitt "STÖRUNGSSUCHE" beschreibt häufige Bedienungsfehler. Lesen Sie diesen Abschnitt durch, bevor Sie auf einen Defekt der Lautsprecher schließen.
- Weil in diesem Gerät ein Verstärker eingebaut ist, wird die entstehende Wärme an der Rückseite abgeführt. Aus diesem Grund muß das Gerät von Wänden entfernt aufgestellt werden, und auf beiden Seiten und auf der Ober- und Rückseite des Gerätes muß ein genügend freier Raum vorhanden sein, so daß keine Gefahr eines Feuersausbruchs oder anderer Beschädigungen vorhanden ist. Das Gerät darf auch nicht mit nach unten oder gegen eine andere Oberfläche gerichteter Rückseite aufgestellt werden.
<Für Großbritannien- und Europa-Modelle>
Auf der Oberseite, der Rückseite und auf beiden Seiten muß zwischen dem Gerät und der Wand ein freier Abstand von mindestens 20 cm eingehalten werden.
- Wenn Sie einen Befeuchter benutzen, vergewissern Sie sich, daß sich keine Kondensation im Inneren des Gerätes bildet; lassen Sie genug Platz um das Gerät herum frei oder vermeiden Sie das Befeuchten. Kondensation kann einen Brand oder einen Geräteschaden und/oder einen elektrischen Schlag verursachen.
- Bedecken Sie die Rückwand dieses Gerätes nicht mit einer Zeitung, Tischdecke, einem Vorhang usw., damit die Hitzeabstrahlung nicht blockiert wird. Wenn die Temperatur im Inneren des Gerätes ansteigt, kann möglicherweise ein Brand, ein Schaden am Gerät und/oder Personenschaden verursacht werden.
- Schließen Sie das Gerät erst dann an eine Netzsteckdose an, wenn Sie alle anderen Anschlüsse ausgeführt haben.
- Die Boxen dürfen nur mit der auf der Rückseite spezifizierten Spannung verwendet werden. Die Benutzung dieses Gerätes mit einer höheren als der angegebenen Spannung ist gefährlich und kann einen Brand, eine Beschädigung des Gerätes und/oder Personenschäden verursachen. YAMAHA kann für keine Schäden haftbar gemacht werden, die aus der Benutzung dieses Gerätes mit einer anderen als der angegebenen Spannung resultieren.
- Bei Blitzschlaggefahr das Netzkabel aus der Steckdose ziehen.
- Die von diesem Gerät wiedergegebenen Tiefbaßfrequenzen können die Wiedergabe eines Plattenspielers stören. In diesem Fall muß dieses Gerät weiter vom Plattenspieler entfernt aufgestellt werden.
- Dieses Gerät kann beschädigt werden, wenn bestimmte Töne kontinuierlich bei einem hoch eingestellten Lautstärkepegel wiedergegeben werden. Wenn z.B. 20 Hz-50 Hz Sinuswellen von einer Testdisc, Tiefbaßfrequenzen von elektronischen Instrumenten usw. kontinuierlich ausgegeben werden, oder wenn die Nadel von einem Plattenspieler die Oberfläche einer Disc berührt, sollte der Lautstärkepegel gesenkt werden, um eine Beschädigung dieses Gerätes zu vermeiden.
- Falls Tonverzerrungen auftreten (wie z.B. ein unnatürliches "Klopfen" oder "Pochen"), muß der Lautstärkepegel reduziert werden. Durch eine sehr laute Wiedergabe von Filmmusik mit einem hohen Anteil von niedrigen Frequenzen oder von Pop und anderer Musik mit tiefen Bässen kann dieses Lautsprechersystem beschädigt werden.
- Durch Supertiefenfrequenzen verursachte Vibrationen können das Fernsehbild stören. In einem derartigen Fall muß dieses Gerät weiter entfernt vom Fernsehgerät aufgestellt werden.
- Fassen Sie beim Abtrennen des Netzkabels von der Wandsteckdose das Kabel am Stecker an und ziehen Sie niemals am Kabel selbst.
- Falls Sie das Gerät für längere Zeit nicht benutzen (z.B. während der Ferien), sollten Sie den Netzstecker aus der Wandsteckdose ziehen.

Für YST-SW005

- Betreiben Sie das Gerät nicht verkehrt herum liegend. Dadurch könnte eine Überhitzung entstehen, was wiederum Beschädigungen zur Folge haben könnte.
- Keine Gewalt auf die Bedienungselemente und Kabel ausüben. Zum Aufstellen an einem anderen Ort zuerst das Netzkabel und dann die Verbindungskabel zu anderen Geräten lösen. Immer an den Steckern, niemals an den Kabeln selbst ziehen.

- **VOLTAGE SELECTOR (Spannungswähler)**
(Für chinesische, koreanische und allgemeine Modelle)
Der Spannungswahlschalter auf der Rückseite dieses Gerätes muß auf die örtliche Netzspannung eingestellt werden, BEVOR der Netzstecker dieses Gerätes an eine Netzsteckdose angeschlossen wird. Die einstellbaren Netzspannungen betragen 110-120/220-240 V AC, 50/60 Hz.



Bereitschaftsmodus

Wenn der POWER-Schalter auf die ON-Position und der AUTO STANDBY-Schalter auf die HIGH- oder LOW-Position gestellt ist, schaltet dieses Gerät zum Bereitschaftsmodus um, wenn für 7 bis 8 Minuten kein Signal empfangen wird. In diesem Zustand verbraucht das Gerät nur sehr wenig Strom.

WARNUNG

UM SOWOHL DIE GEFAHR EINES BRANDES ALS AUCH DIE GEFAHR EINES ELEKTRISCHEN SCHLAGES ZU REDUZIEREN, DARF DAS GERÄT WEDER REGEN NOCH FEUCHTIGKEIT AUSGESETZT WERDEN.

TEILE DES LAUTSPRECHERPAKETS

Das Lautsprecherpaket "NS-P230" und "NS-P236" eignen sich für ein Mehrkanal-Audiosystem wie z.B. für eine Heimkinoanlage.

Das NS-P230 besteht aus vier NX-230P Lautsprechersystemen, einem NX-C230 Lautsprechersystem und einem YST-SW005 Subwoofersystem.

Das NS-P236 besteht aus fünf NX-230P Lautsprechersystemen, einem NX-C230 Lautsprechersystem und einem YST-SW005 Subwoofersystem.

<NX-230P>

Vollakustisches Aufhänge-Lautsprechersystem zur Verwendung für die Hauptlautsprecher und hinteren Lautsprecher (und hinteren Centerlautsprecher für NS-P236)

<NX-C230>

Vollakustisches Aufhänge-Lautsprechersystem zur Verwendung für die Centerlautsprecher

<YST-SW005>

Active Servo Processing Subwoofersystem mit eingebautem Verstärker

- Bei diesem Subwoofersystem findet die von YAMAHA entwickelte YAMAHA Active Servo Technology für eine hochwertige Tiefbaßwiedergabe Verwendung. (Für Einzelheiten über die Advanced YAMAHA Active Servo Technology wird auf die Seite 14 verwiesen.) Diese Supertiefenfrequenzen verleihen Ihrer Stereoanlage einen realistischeren Theater-im-Haus-Effekt.
- Ihre bereits vorhandene Stereoanlage kann mit diesem Subwoofer ergänzt werden, der einfach an die Lautsprecherklemmen oder an die Line-Ausgangsbuchsen (Stiftbuchse) des Verstärkers angeschlossen wird.
- Weil ein AUTO STANDBY-Schalter vorhanden ist, erübrigt sich ein Umschalten des POWER-Schalters in die Position ON oder OFF.

INHALT

AUSPACKEN	Innere Umschlagseite
ZUR BEACHTUNG	1
TEILE DES LAUTSPRECHERPAKETS	2
AUFSTELLEN DER LAUTSPRECHER	3
Aufstellen des Subwoofers	4
Aufstellen des Centerlautsprechers	4
Installieren der hinteren Lautsprecher (und des hinteren Centerlautsprechers für NS-P236)	5
Aufstellen des Hauptlautsprechers/der hinteren Lautsprecher (und des hinteren Centerlautsprechers für NS-P236)	6

ANSCHLÜSSE	7
Anschlußbeispiel	7
Anschließen der Lautsprecherkabel an die Eingangs- und Ausgangsklemmen der Lautsprecher	9
Anschließen des Subwoofers an den Lautsprecherausgangsklemmen des Verstärkers	10
VERWENDUNG DES SUBWOOFERS (YST-SW005)	11
Bedienungselemente und ihre Funktionen	11
Einstellung des Subwoofers vor der Inbetriebnahme	12
Frequenzeigenschaften	13
ADVANCED YAMAHA ACTIVE SERVO TECHNOLOGY (für YST-SW005)	14
STÖRUNGSSUCHE	15
TECHNISCHE DATEN	16

AUFSTELLEN DER LAUTSPRECHER

Vor dem Anschließen müssen die Lautsprecher an den richtigen Orten aufgestellt werden. Die Aufstellung der Lautsprecher ist besonders wichtig, weil sie die Grundlage für die gesamte Klangqualität dieses Systems darstellt.

Stellen Sie die Lautsprecher basierend auf der bevorzugten Hörposition entsprechend der nachstehenden Anleitung auf.

Lautsprecherkonfiguration

<NS-P230>

Dieses Lautsprecherpaket besteht aus 6 Lautsprechern: 2 Hauptlautsprechern, 2 hinteren Lautsprechern, einem Centerlautsprecher und einem Subwoofer.

Die Hauptlautsprecher werden für die Wiedergabe der Haupttonquelle verwendet. Über die hinteren Lautsprecher werden die Raumklangeffekte und über den Centerlautsprecher wird die Wiedergabe von der Mitte (Dialog usw.) wiedergegeben. Der Subwoofer dient zum Verstärken von niedrigen Frequenzen Ihrer Audioanlage.

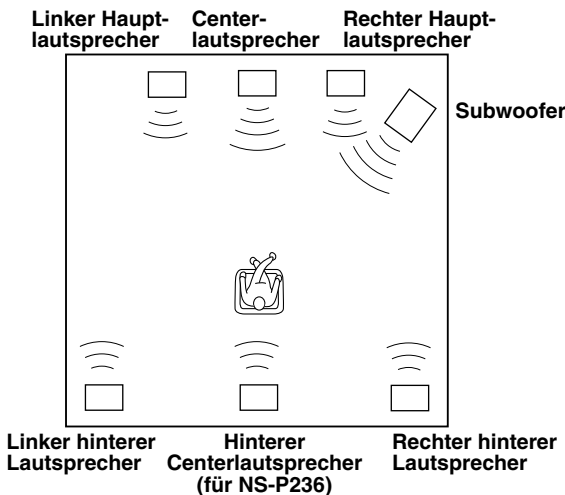
<NS-P236>

Dieses Lautsprecherpaket besteht aus 7 Lautsprechern: 2 Hauptlautsprechern, 2 hinteren Lautsprechern, einem Centerlautsprecher, einem hinteren Centerlautsprecher und einem Subwoofer.

Das Hauptlautsprecherpaar wird für die Wiedergabe der Haupttonquelle verwendet. Über das hintere Lautsprecherpaar sowie den hinteren Centerlautsprecher werden die Raumklangeffekte und über den Centerlautsprecher wird die Wiedergabe von der Mitte (Dialog usw.) wiedergegeben. Der Subwoofer dient zum Verstärken von niedrigen Frequenzen Ihrer Audioanlage.

Hinweis

In diesem Lautsprecherpaket werden für den Hauptlautsprecher und die hinteren Lautsprecher (und hinteren Centerlautsprecher für NS-P236) dieselben Lautsprecher (NX-230P) verwendet.



Aufstellen der Lautsprecher

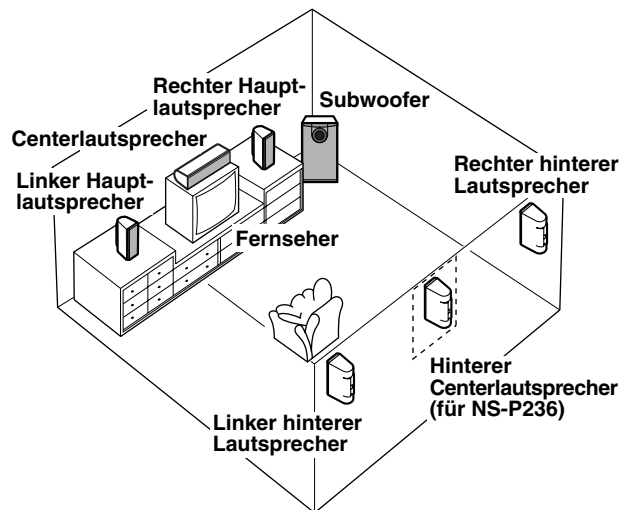
Hauptlautsprecher: Auf beiden Seiten und etwa in der gleichen Höhe wie der Fernseher.

Hintere Lautsprecher: Hinter der Hörposition, leicht gegen die Raummitte gerichtet. Etwa 1,8 m hoch.

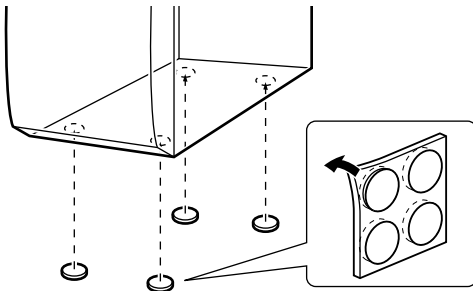
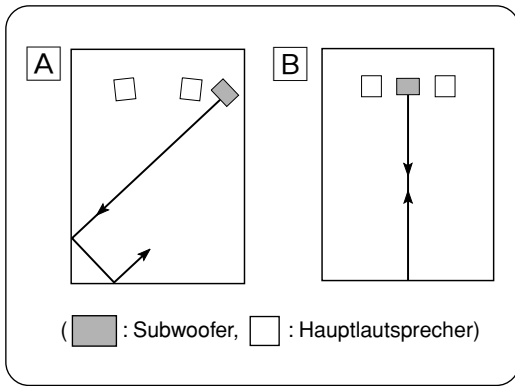
Centerlautsprecher: Genau in der Mitte zwischen den Hauptlautsprechern.

Hinterer Centerlautsprecher (für NS-P236): Genau in der Mitte zwischen den hinteren Lautsprechern.

Subwoofer: Die genaue Position des Subwoofers ist weniger wichtig, weil niedrige Frequenzen nicht mit genauer Richtwirkung wahrgenommen werden. Für die Positionierung des Subwoofers wird auf das nachfolgende Kapitel "Aufstellen des Subwoofers" verwiesen.



■ Aufstellen des Subwoofers



Es wird empfohlen, den Subwoofer auf der äußeren Seite des linken oder rechten Hauptlautsprechers aufzustellen. (Siehe Abb. [A].) Eine wie in Abb. [B] gezeigte Aufstellung ist ebenfalls möglich. Wenn der Subwoofer allerdings direkt gegen eine Wand gerichtet wird, kann der Baßeffekt vermindert werden, weil sich die direkten und die von der Wand reflektierten Schallwellen gegenseitig aufheben können. Aus diesem Grund sollte der Subwoofer möglichst schräg zu einer Wand aufgestellt werden, wie in Abb. [A] gezeigt.

Hinweis

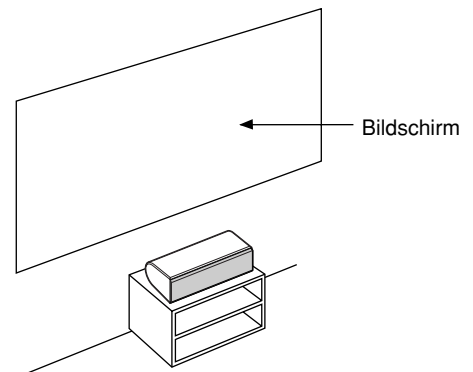
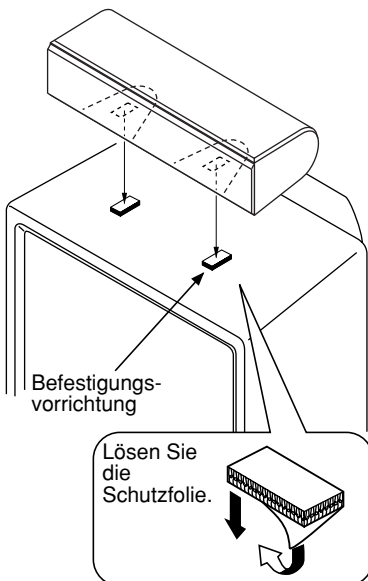
In der Raummitte ist die Tiefbaßwiedergabe vom Subwoofer unter Umständen zu schwach, weil sich zwischen zwei parallelen Wänden "Stehwellen" bilden können, die sich gegenseitig aufheben. Richten Sie in diesem Fall den Subwoofer schräg zur Wand. Möglicherweise ist auch ein Aufbruch der parallelen Flächen durch Aufstellen von Bücherregalen usw. an den Wänden entlang erforderlich.

Verwenden Sie die Gleitschutzpads

Legen Sie die mitgelieferten Gleitschutzpads unter die vier Ecken an der Unterseite des Subwoofers, um ein durch Erschütterungen usw. verursachtes Verschieben des Subwoofers zu vermeiden.

■ Aufstellen des Centerlautsprechers

Sie können den Lautsprecher – wenn die Oberseite des Gerätes eben ist – oben auf dem Fernseher, auf dem Boden unter dem Fernseher oder in dem Fernseher-Regal plazieren. Stellen Sie dabei sicher, daß sich der Lautsprecher in einer stabilen Position befindet. Wenn Sie den Lautsprecher oben auf dem Fernsehgerät aufstellen möchten, müssen Sie zur Befestigung des Lautsprechers sowohl an dessen Unterseite als auch oben auf dem Fernsehgerät die mitgelieferten Befestigungsvorrichtungen an zwei Punkten anbringen.

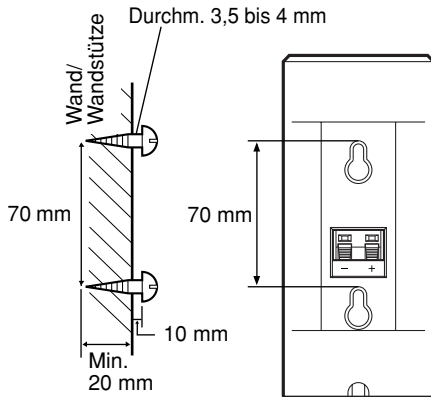


Hinweise

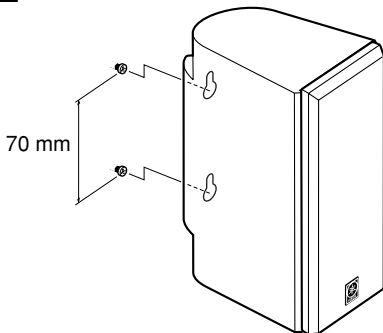
- Stellen Sie den Lautsprecher nicht auf Fernsehgeräte, deren Fläche kleiner ist als die Bodenfläche des Lautsprechers. Sollten Sie dies nicht beachten, fällt der Lautsprecher unter Umständen herunter, was Personenschäden zur Folge haben kann.
- Stellen Sie den Lautsprecher nicht auf Fernsehgeräte, deren Oberseite einen Neigungswinkel aufweist.
- Berühren Sie nicht die Kleboberfläche nach dem Ablösen der Schutzfolie, da dies zu einer Schwächung der Klebkraft führen kann.
- Wischen Sie die Oberfläche, auf der die Befestigungsvorrichtung angebracht werden soll, sorgfältig sauber. Nehmen Sie bitte zur Kenntnis, daß die Klebkraft abgeschwächt wird, wenn die Oberfläche verunreinigt, fettig oder feucht ist; dies würde unter Umständen ein Herunterfallen des Centerlautsprechers zur Folge haben.

■ Installieren der hinteren Lautsprecher (und des hinteren Centerlautsprechers für NS-P236)

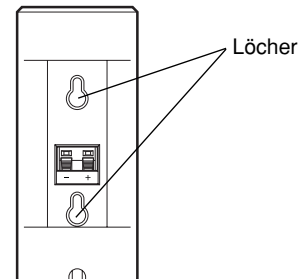
- 1** Befestigungsschraube
(im Handel erhältlich)



- 2**



Stellen Sie die hinteren Lautsprecher (und den hinteren Centerlautsprecher für NS-P236) in einem Gestell oder einem Rack auf dem Boden auf. Sie können die Lautsprecher auch an der Wand aufhängen.



Aufhängen der Lautsprecher an der Wand unter Verwendung der Löcher auf der Rückseite der Lautsprecher

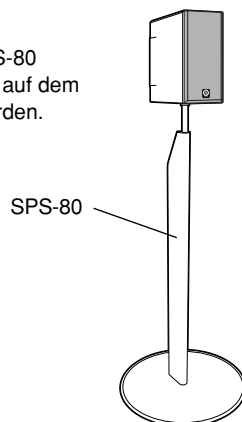
- 1** Drehen Sie die Schrauben in eine feste Wand oder Stütze, wie in der Abbildung dargestellt.
- 2** Hängen Sie die Schraubenlöcher an den vorstehenden Schrauben ein.
* Kontrollieren Sie, ob die Schrauben richtig im engen Teil der Schraubenlöcher sitzen.

WARNUNG

- Jeder Lautsprecher hat ein Gewicht von 0,9 kg. Hängen Sie deshalb die Lautsprecher nicht an einer Wand aus dünnem Furnier oder weichem Material auf. Beim Aufhängen könnte sich die Schraube lösen, so dass die Lautsprecher herunterfallen können. Dies könnte eine Beschädigung der Lautsprecher oder Personenschäden zur Folge haben.
- Befestigen Sie die Lautsprecher nicht mit Nägeln, durch Ankleben oder auf andere ungeeignete Weise, weil sie sich bei langem Gebrauch und wegen Erschütterungen lösen und herunterfallen könnten.
- Befestigen Sie alle Lautsprecherkabel richtig an der Wand, um zu vermeiden, daß Sie über lose Kabel stolpern und sich verletzen.
- Wählen Sie eine geeignete Position an der Wand zur Installation der Lautsprecher, so daß sich niemand den Kopf oder das Gesicht verletzen kann.

Bei Verwendung des Yamaha Lautsprecherständers SPS-80 (optional)

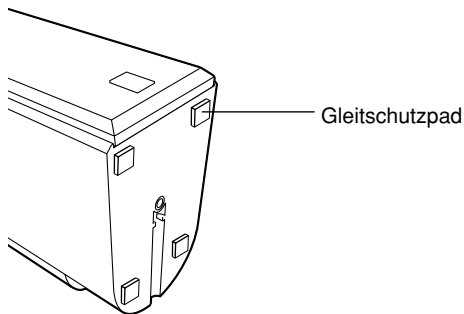
Mit dem Yamaha Lautsprecherständer SPS-80 können die Lautsprecher auf dem Fußboden aufgestellt werden.



* In einigen Gebieten ist der SPS-80 nicht erhältlich.

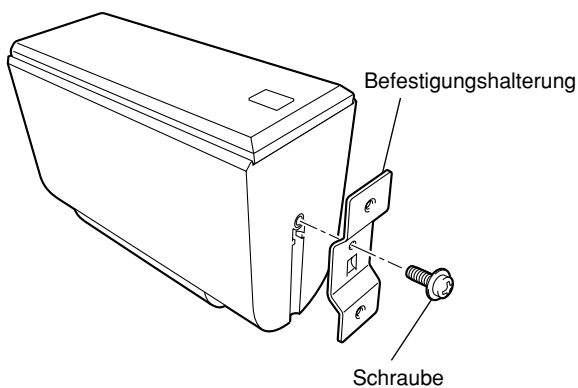
■ Aufstellen des Hauptlautsprechers/der hinteren Lautsprecher (und des hinteren Centerlautsprechers für NS-P236)

Wenn Sie die Lautsprecher auf einer ebenen Fläche aufstellen, sollten Sie die mitgelieferten Gleitschutzpads an den vier Ecken auf der Unterseite der Lautsprecher anbringen, wie in der linken Abbildung gezeigt. Dies verhindert ein Hin- und Herrutschen der Lautsprecher.



* Beim NS-P236 sind vier Ersatz-Gleitschutzpads im Lieferumfang enthalten.

Wenn ein Lautsprecher auf einem im Fachhandel erhältlichen Lautsprecherständer aufgestellt werden soll für den Hauptlautsprecher/die hinteren Lautsprecher (und den hinteren Centerlautsprecher für NS-P236)



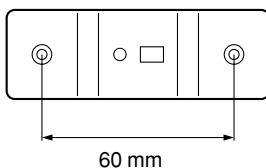
Die beiden Schraubenlöcher (in einem Abstand von 60 mm) an der mitgelieferten Befestigungshalterung können dazu verwendet werden, den Lautsprecher auf einem Lautsprecherständer zu befestigen.

* Diese Schraubenlöcher können nur mit Schrauben des Typs M4 verwendet werden.

- 1** Befestigen Sie die Halterung mit der mitgelieferten Schraube unten am Lautsprecher, so daß der hervorstehende Teil der Halterung in die Rille an der Unterseite des Lautsprechers paßt, wie in der Abbildung links dargestellt.
- 2** Befestigen Sie den Lautsprecher mit Hilfe der Schraubenlöcher auf der Halterung auf dem Lautsprecherständer.

Hinweis

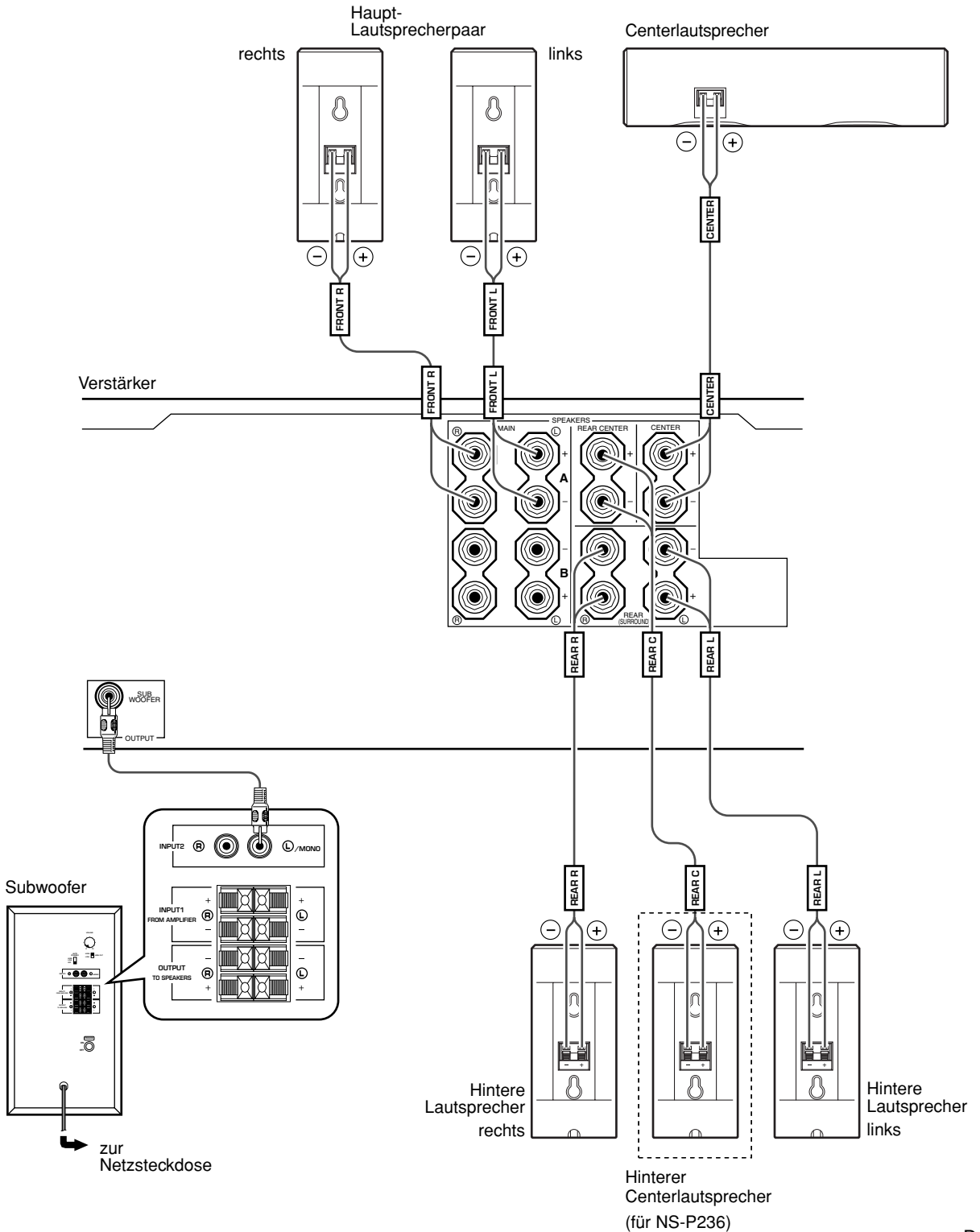
Die Befestigungshalterung steht für jeden der Lautsprecher zur Verfügung.



ANSCHLÜSSE

Vorsicht: Der Netzstecker des Subwoofers und der anderen Audio-/Video-Komponenten darf erst angeschlossen werden, nachdem alle anderen Anschlüsse richtig ausgeführt worden sind.

■ Anschlußbeispiel



- Schließen Sie den Hauptlautsprecher, den Centerlautsprecher und die hinteren Lautsprecher (und den hinteren Centerlautsprecher für NS-P236) mit den mitgelieferten Lautsprecherkabeln an die Lautsprecher-Ausgangsklemmen Ihres Verstärkers an.
 - * Die mitgelieferten Lautsprecherkabel sind mit FRONT L, FRONT R, CENTER, REAR L, REAR R (und REAR C für NS-P236) beschriftet. Schließen Sie jedes Lautsprecherkabel an den entsprechenden Lautsprecher an. Verfahren Sie hierfür wie in der Abbildung auf Seite 7 dargestellt.
 - * Beachten Sie beim Anschließen unbedingt die Polaritäten (+, -). Falls ein Lautsprecher mit umgekehrter Polarität angeschlossen wird, wirkt die Tonwiedergabe unnatürlich und kraftlos.
 - * Schließen Sie für den Hauptlautsprecher und die hinteren Lautsprecher einen Lautsprecher an die linken (mit L gekennzeichneten) Klemmen und den anderen Lautsprecher an die rechten (mit R gekennzeichneten) Klemmen Ihres Verstärkers an.
- Grundsätzlich muß der Subwoofer an die Line-Ausgangsbuchse(n) (Stiftbuchse) des Verstärkers angeschlossen werden. Falls Ihr Verstärker nicht über Line-Ausgangsbuchsen verfügt, muß der Subwoofer an den Lautsprecher-Ausgangsklemmen des Verstärkers angeschlossen werden. (Für Einzelheiten wird auf Seite 9 verwiesen.)
 - * Zum Anschließen eines DSP-Verstärkers (oder AV-Receiver) von YAMAHA müssen Sie die an der Rückseite des DSP-Verstärkers (oder AV-Receiver) befindliche Buchse SUBWOOFER (oder LOW PASS usw.) mit der Buchse **L**/MONO INPUT2 des Subwoofers verbinden.
 - * Um den Subwoofer an den aufgeteilten Subwooferklemmen (SPLIT SUBWOOFER) auf der Rückseite eines DSP-Verstärkers anzuschließen, müssen Sie die Kabel sowohl an den linken **L**, als auch an den rechten **R** INPUT2-Klemmen des Subwoofers anschließen.

Hinweis

Beim Anschluß an eine Mono-Line-Ausgangsbuchse des Verstärkers können Sie das Kabel an die Eingangsbuchse **L**/MONO INPUT2 anschließen.

■ Anschließen der Lautsprecherkabel an die Eingangs- und Ausgangsklemmen der Lautsprecher

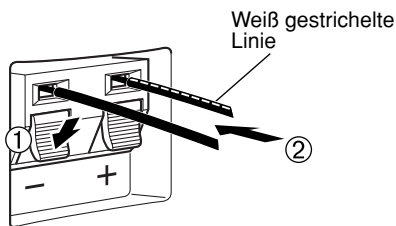
Halten Sie die Kabel für die Anschlüsse so kurz wie möglich. Zu lange Kabel dürfen nicht zusammengebunden oder aufgerollt werden. Bei fehlerhaften Anschlüssen ist keine Tonwiedergabe möglich.

Haupt-/Centerlautsprecher/hintere Lautsprecher Hinterer Centerlautsprecher (für NS-P236)

Eine Seite des mitgelieferten Lautsprecherkabels ist mit einer weiß gestrichelten Linie markiert, während die andere Seite keine Markierung trägt.

Verbinden Sie die (+) Klemmen des Lautsprechers und des Verstärkers mit der Kabelseite, die mit einer weiß gestrichelten Linie markiert ist, und verbinden Sie die (-) Klemmen mit der unmarkierten Kabelseite.

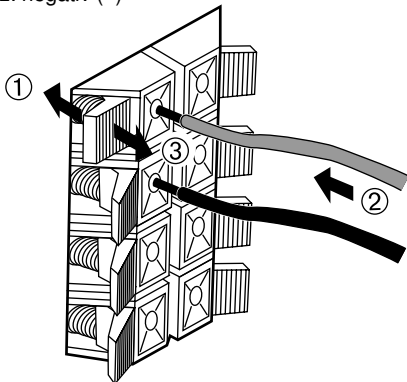
Rot: positiv (+)
Schwarz: negativ (-)



Subwoofer (INPUT1/OUTPUT-Klemmen)

Verbinden Sie mit einer Seite des Kabels die (+)-Klemmen des Subwoofers und des Verstärkers, und verbinden Sie mit der anderen Seite des Kabels die (-)-Klemmen des Subwoofers und Verstärkers.

Rot: positiv (+)
Schwarz: negativ (-)



Vor dem Anschluß

Entfernen Sie den Isolierungsmantel am Ende der einzelnen Lautsprecherkabel, indem Sie den Mantel abdrehen.

Richtig Falsch



Anschluß:

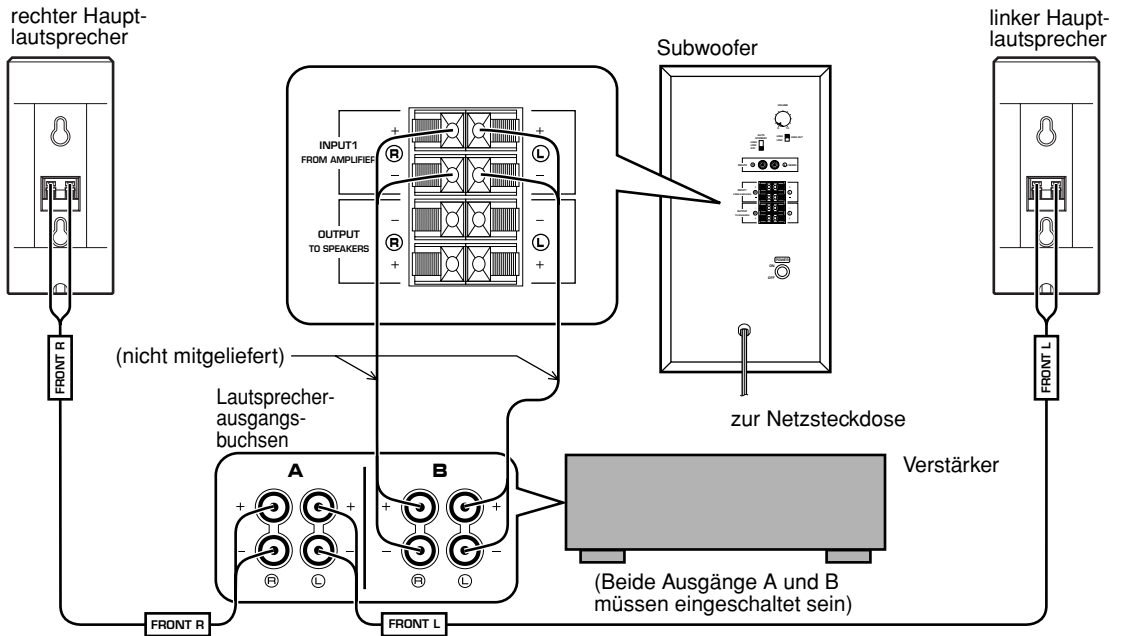
- ① Halten Sie die Lasche an der Klemme wie in der Abbildung dargestellt gedrückt.
- ② Führen Sie den bloßen Draht ein.
- ③ Lassen Sie die Lasche los, damit sie sich fest um das Drahtende des Kabels ziehen kann.
- ④ Ziehen Sie leicht am Kabel, um zu kontrollieren, ob das Kabel fest angeschlossen ist.

Hinweis

Die bloßen Lautsprecherdrähte dürfen nicht miteinander in Berührung kommen, da dies den Lautsprecher oder den Verstärker oder auch beides beschädigen könnte.

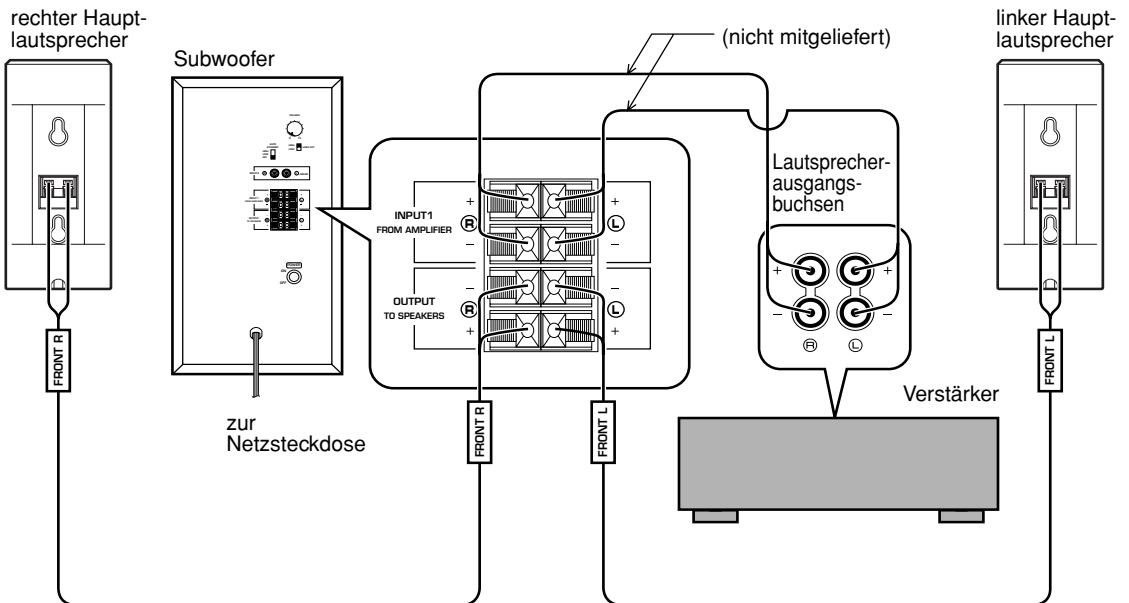
■ Anschluß des Subwoofers an den Lautsprecherausgangsklemmen des Verstärkers

Falls Ihr Verstärker zwei Sätze von Lautsprecherausgangsbuchsen hat



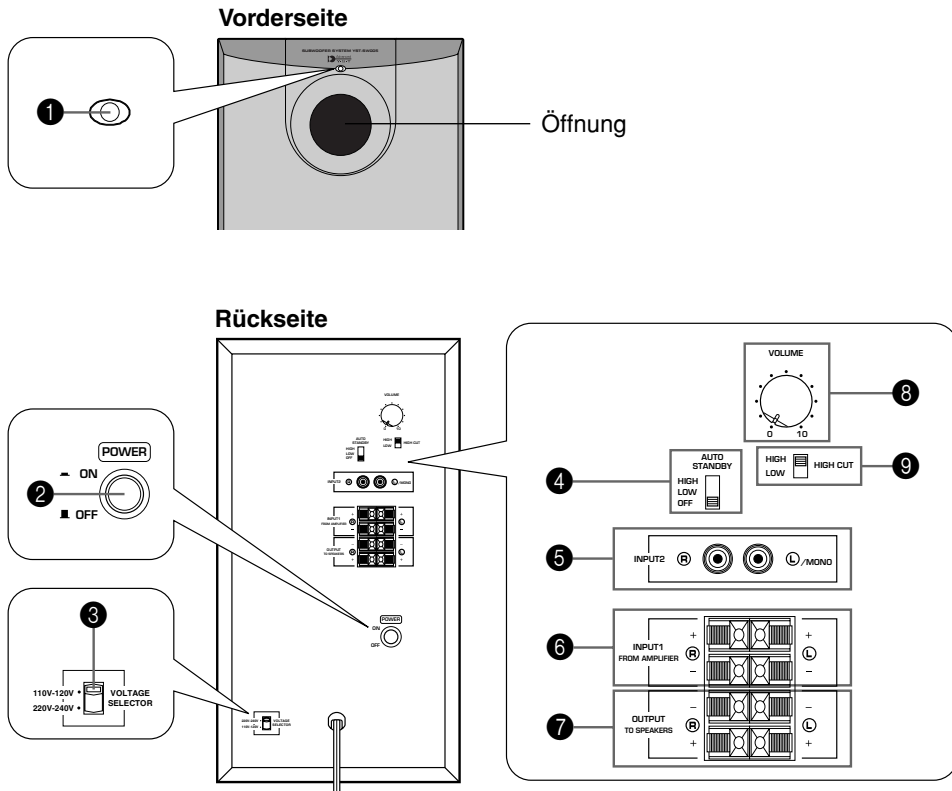
Falls der Verstärker nur mit Klemmen für ein Haupt-Lautsprecherpaar ausgerüstet ist

Verbinden Sie die Ausgangsklemmen des Verstärker mit den Eingangsklemmen 1 (INPUT1) des Subwoofers und verbinden Sie die Ausgangsklemmen (OUTPUT) des Subwoofers mit den Haupt-Lautsprechern.



VERWENDUNG DES SUBWOOFERS (YST-SW005)

■ Bedienelemente und ihre Funktionen



- 1 Netzanzeige**
Die Netzanzeige leuchtet in der Position "ON" des Netzschalters (**POWER**) (2) grün und erlischt in der Position "OFF".
* Betriebsbereitschaft
Wenn sich der Netzschalter (**POWER**) (2) in der Position "ON" und der Ein/Aus-Schalter (**AUTO STANDBY**) (4) in der Position "HIGH" oder "LOW" befindet, leuchtet diese Anzeige rot, wenn kein Signal empfangen wird.
- 2 POWER-Netzschalter**
Drücken Sie zum Einschalten des Subwoofers den Schalter in die Position "ON", so dass die Netzanzeige (1) auf dem vorderen Bedienfeld grün leuchtet. Stellen Sie zum Ausschalten des Subwoofers den Schalter wieder in die Position "OFF".
- 3 Spannungswähler (VOLTAGE SELECTOR) (Für chinesische, koreanische und allgemeine Modelle)**
Falls der Schalter nicht richtig eingestellt ist, stellen Sie ihn auf die Netzspannung Ihres Landes ein (220 V-240 V oder 110 V-120 V).
Wenden Sie sich bei Ungewißheiten an Ihren Händler.
WARNUNG
Zum Umschalten des Spannungsschalters muß der Subwoofer ausgeschaltet sein.
- 4 AUTO STANDBY (HIGH/LOW/OFF)-Schalter**
Dieser Schalter befindet sich am Anfang in der Position OFF. Wenn Sie den Schalter in die Position HIGH oder LOW stellen, arbeitet die automatische Stromein-/ausschalt-Funktion des Subwoofers wie auf Seite 9 beschrieben. Zum Ausschalten dieser Funktion können Sie den Schalter in die Position "OFF" stellen.
* Dieser Schalter darf nur umgeschaltet werden, wenn sich der Netzschalter (**POWER**) (2) in der Position "OFF" befindet.
- 5 INPUT2-Eingangsbuchsen**
Zur Eingabe der Line-Signale vom Verstärker.
- 6 INPUT1-Eingangsbuchsen (FROM AMPLIFIER)**
Zum Anschließen des Subwoofers an die Lautsprecherbuchsen des Verstärkers.
- 7 OUTPUT-Ausgangsbuchsen (TO SPEAKERS)**
Zur Verbindung mit den Haupt-Lautsprechern. Signale von den Eingangsbuchsen **INPUT1** (6) werden an diese Anschlüsse gesendet.
- 8 VOLUME-Lautstärkeregler**
Stellen Sie mit diesem Regler die Lautstärke ein. Drehen Sie diesen Regler im Uhrzeigersinn, um den Lautstärkepegel zu erhöhen, und drehen Sie ihn entgegen dem Uhrzeigersinn, um die Lautstärke zu senken.
- 9 HIGH CUT (HIGH/LOW)-Schalter**
Wählt den Ausschaltpunkt der Hochfrequenzen aus. Normalerweise ist er auf LOW gestellt, Sie können ihn aber bei Bedarf auf HIGH stellen. Siehe Seite 12 und 13.

Automatische Ein/Ausschaltfunktion

Falls die Tonquelle ausgeschaltet wird und für 7 bis 8 Minuten kein Toneingangssignal vorhanden ist, wird der Subwoofer automatisch in die Betriebsbereitschaft umgeschaltet. (Wenn der Subwoofer durch die Stromein-/ausschalt-Funktion in den Standby-Betrieb schaltet, leuchtet die Stromanzeige rot auf.)

Beim Einschalten einer Tonquelle wird der Subwoofer durch die Toneingangssignale automatisch eingeschaltet.

Diese Funktion benötigt zum Abtasten einen bestimmten Pegel des Niederfrequenzeingangssignals. Normalerweise sollte der **AUTO STANDBY**-Schalter auf die Position **LOW** gestellt sein. Falls jedoch im Bereitschaftsmodus **STANDBY** die Stromversorgung nicht glatt eingeschaltet wird, diesen Schalter auf Position **HIGH** stellen. Beachten Sie, dass in der Position "HIGH" der Subwoofer durch einen geringen Signalpegel eingeschaltet wird, und andererseits der Subwoofer bei einem extrem geringen Pegel des Eingangssignals nicht in die Bereitschaft ausgeschaltet werden kann.

* Falls der Subwoofer durch Störgeräusche von anderen Geräten unerwartet eingeschaltet wird, müssen Sie den Ein-/Aus-Schalter (**AUTO STANDBY**) in die Position "OFF" stellen und den Netzschalter (**POWER**) dazu verwenden, zwischen der Position "ON" und "OFF" manuell umzuschalten.

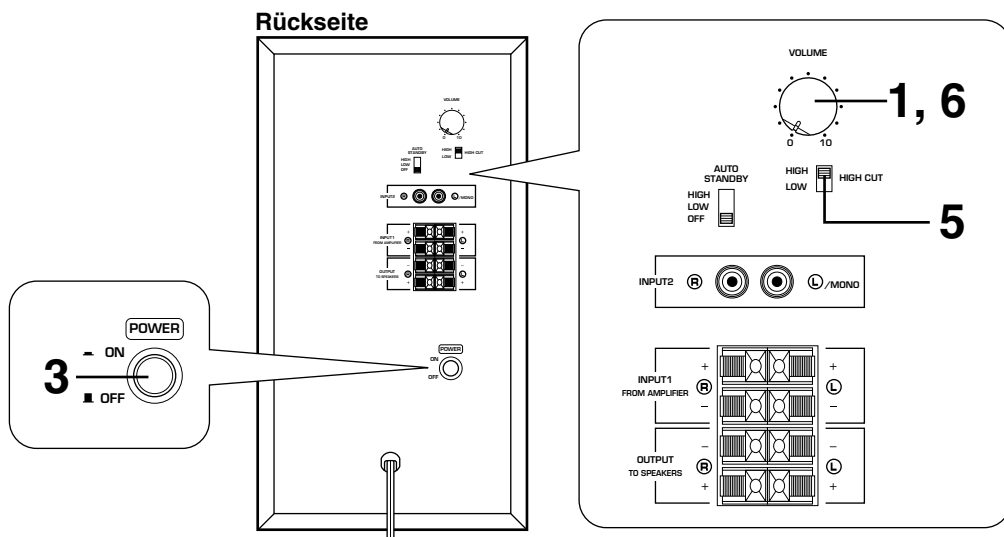
* Diese Funktion erkennt die Komponenten mit Niederfrequenzpegel von unter 200 Hz des Toneingangssignals (z.B. die Explosionen in einem Action-Film, den Klang einer Bass-Gitarre oder einer Bass-Trommel usw.).

* Abhängig von den Störgeräuschen anderer Geräte kann es einige Minuten dauern, bis der Subwoofer in die Betriebsbereitschaft umgeschaltet wird.

Diese Funktion ist nur bei eingeschaltetem Subwoofer (bei gedrücktem POWER-Netzschalter) betriebsbereit.

■ Einstellung des Subwoofers vor der Inbetriebnahme

Stellen Sie vor der Inbetriebnahme des Subwoofers die optimale Lautstärke und Balance zwischen dem Subwoofer und den Haupt-Lautsprechern ein, indem Sie wie nachfolgend beschrieben vorgehen.



- 1** Stellen Sie den Lautstärkereger (**VOLUME**) in die Minimalstellung (0).
- 2** Schalten Sie alle anderen Komponenten ein.
- 3** Drücken Sie **POWER**-Schalter in die Position ON.
 - * Die Netzanzeige auf dem vorderen Bedienfeld leuchtet in grün.
- 4** Spielen Sie eine Quelle ab, die Niederfrequenzkomponenten enthält, und stellen Sie den Lautstärkereger des Verstärkers auf den gewünschten Hörpegel.
- 5** Der **HIGH CUT**-Schalter sollte auf die Position LOW oder HIGH gestellt sein.

Dieser Subwoofer ist so konstruiert, dass die optimale Balance zwischen dem Subwoofer und den Haupt-Lautsprechern erreicht wird, wenn dieser Schalter auf die Position LOW gestellt ist. Die Balance kann sich jedoch abhängig von der Raumgröße, der Entfernung vom Subwoofer zu den Haupt-Lautsprechern usw. verändern. Stellen Sie den Schalter bei Bedarf auf die Position HIGH.

- 6** Erhöhen Sie langsam den Tonpegel, um die Lautstärkebalance zwischen dem Subwoofer und den Haupt-Lautsprechern einzustellen.

Stellen Sie den Regler auf den Pegel, bei dem Sie ein wenig mehr Bass-Effekt erzielen als bei Nichtverwenden des Gerätes. Wenn der gewünschte Frequenzbereich nicht erreicht wird, stellen Sie den **HIGH CUT**-Schalter und den **VOLUME**-Regler erneut ein.

- Wenn einmal die Lautstärkebalance zwischen dem Subwoofer und den Haupt-Lautsprechern eingestellt ist, kann der Gesamtlautstärkepegel mit dem Lautstärkereger des Verstärkers eingestellt werden. Falls Sie die Haupt-Lautsprecher (NX-230P) gegen andere Lautsprecher austauschen, müssen Sie diese Einstellung noch einmal vornehmen.
- Lesen Sie für die Einstellung des **VOLUME** Reglers und des **HIGH CUT** Schalters den unten stehenden Abschnitt "Frequenzeigenschaften".

■ Frequenzeigenschaften

Abb. 1 zeigt die Frequenzeigenschaften des Subwoofers bei jeder Schalterstellung (HIGH/LOW) des **HIGH CUT**-Schalters.

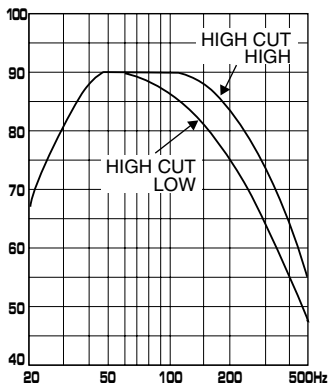


Abb. 1

Abb. 2 zeigt den optimalen Lautstärkepegel an, wenn der **HIGH CUT** Schalter auf der HIGH-Position steht, und die Frequenzeigenschaften, wenn der Subwoofer mit dem NX-230P verwendet wird.

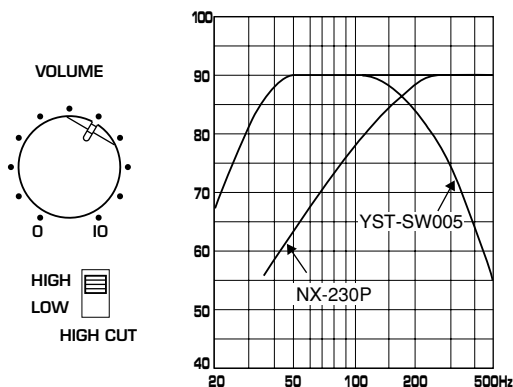


Abb. 2

ADVANCED YAMAHA ACTIVE SERVO TECHNOLOGY (für YST-SW005)

Die Theorie der Yamaha Active Servo Technology basiert auf zwei Grundfaktoren: dem Helmholtz-Resonator und der Negativimpedanzansteuerung. Active Servo Processing-Lautsprecher reproduzieren die Baßfrequenzen durch eine Baßöffnung in der Lautsprecherbox. Diese Öffnung übernimmt die Funktion eines Tieftonlautsprechers in herkömmlichen Lautsprechersystemen und wird an dessen Stelle verwendet. Laut der Helmholtztheorie können im Bereich der Resonanzfrequenz durch kleine Erregerschwingungen große Ausgangsamplituden erzeugt werden. Die Resonanzfrequenz der Box wird daher so dimensioniert, daß sie in dem Bereich liegt, wo der Wiedergebepegel des Tieftöners absinkt. Dadurch wird der lineare Wiedergebefrequenzbereich zu sehr tiefen Tönen erweitert. Um Resonanzüberhöhungen und unpräzise Baßwiedergabe zu vermeiden sind große Antriebs- und Rückstellkräfte der Lautsprechermembran nötig. Zur Lösung dieses Problems wurde von den YAMAHA-Konstrukteuren ein Verstärkerprinzip entwickelt, das folgende Theorie verwirklicht:

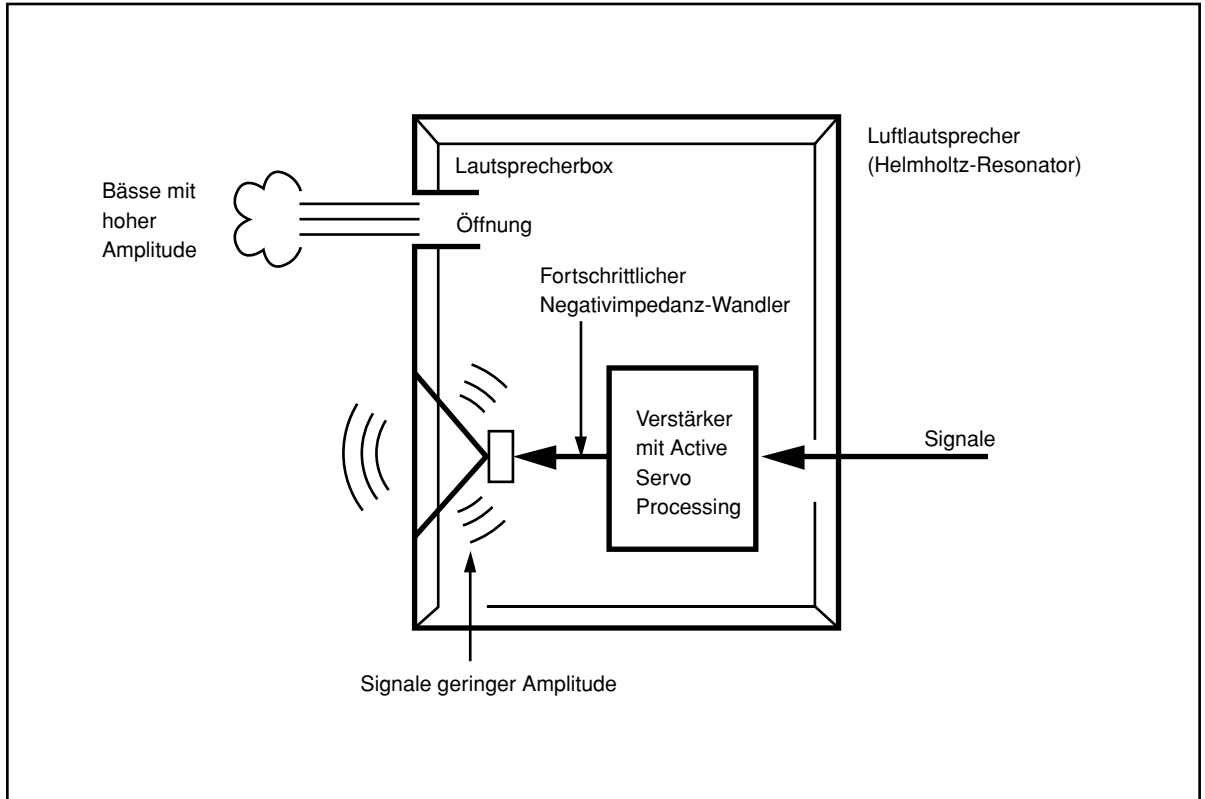
Wird der elektrische Widerstand der Schwingspule auf Null reduziert, käme es in Bezug auf die Signalspannung zu einer linearen Bewegung der Lautsprechermembran. Um diese Reduzierung zu erreichen wird ein spezieller Verstärker eingesetzt, dessen Ausgangsimpedanz genau

der der Box, jedoch mit umgekehrtem Vorzeichen entspricht.

Diese negative Ausgangsimpedanz ermöglicht die Erzeugung der nötigen Antriebskräfte wodurch hervorragende Tiefbaßwiedergabe und Dämpfungseigenschaften erreicht werden. Durch die Verwendung eines Verstärkers mit Negativimpedanz-Ansteuerung und der Lautsprecherbox mit Helmholtz-Resonator kann dieses System deshalb einen extrem weiten Frequenzbereich mit erstaunlicher Klangqualität und reduziertem Verzerrungsgrad reproduzieren.

Die Kombination der oben beschriebenen Merkmale stellt die grundlegende Konfiguration der herkömmlichen Yamaha Active Servo Technology dar.

Unsere neue Active Servo Technology — Advanced Yamaha Active Servo Technology — wendet fortschrittliche Negativ-Impedanz-Wandler (ANIC) Schaltungen an, die es dem herkömmlichen Negativimpedanz-Wandler dynamische Variation erlauben, um einen optimalen Wert für Lautsprecherimpedanz-Variationen zu wählen. Mit den neuen ANIC-Schaltungen kann Advanced Yamaha Active Servo Technology stabilere Leistung und verbesserten Schalldruck im Vergleich mit herkömmlicher Yamaha Active Servo Technology erzeugen, wodurch eine natürliches und dynamische Tiefenwiedergabe erzielt wird.



STÖRUNGSSUCHE

Bei Funktionsstörungen dieses Gerätes wird auf die nachstehende Tabelle verwiesen. Falls die vorliegende Störung nicht aufgeführt ist, oder falls die Störung nicht behoben werden kann, lösen Sie das Netzkabel aus der Steckdose und wenden Sie sich an Ihren autorisierten YAMAHA-Händler oder an ein Kundendienstzentrum.

Störung	Ursache	Abhilfe
Keine Tonwiedergabe	Die Lautsprecherkabel sind nicht richtig angeschlossen.	Die Kabel richtig anschließen.
Zu geringer Tonwiedergabepegel	Die Lautsprecherkabel sind nicht richtig angeschlossen.	Die Kabel seitenrichtig und richtig gepolt anschließen.

für YST-SW005

Störung	Ursache	Abhilfe
Keine Stromversorgung bei eingeschaltetem Netzschalter (POWER).	Der Netzstecker ist nicht richtig angeschlossen.	Das Netzkabel richtig anschließen.
Keine Tonwiedergabe.	Der Lautstärkereglern (VOLUME) ist auf 0 gestellt.	Den Lautstärkereglern (VOLUME) nach rechts (im Uhrzeigersinn) drehen.
	Die Lautsprecherkabel sind nicht richtig angeschlossen.	Die Kabel richtig anschließen.
Zu geringer Tonwiedergabepegel.	Die Lautsprecherkabel sind nicht richtig angeschlossen.	Die Kabel seitenrichtig und richtig gepolt anschließen.
	Die wiedergegebene Tonquelle hat keine tiefen Bassfrequenzen.	Eine Tonquelle mit Bassfrequenzen wiedergeben. Der HIGH CUT-Schalter sollte auf die Position "HIGH" gestellt sein.
	Die Wiedergabe wird durch stehende Wellen beeinflusst.	Den Subwoofer anders positionieren oder die parallelen Wände durch Aufstellen von Bücherregalen usw. auflösen.
Der Subwoofer schaltet sich nicht automatisch ein.	Der Netzschalter (POWER) befindet sich in der Position OFF.	Der POWER-Schalter sollte auf die Position ON gestellt sein.
	Der Ein-/Aus-Schalter (AUTO STANDBY) befindet sich in der Position OFF.	Der AUTO STANDBY-Schalter sollte auf die Position "HIGH" oder "LOW" gestellt sein.
	Pegel des Eingangssignals ist zu niedrig.	Der AUTO STANDBY-Schalter sollte auf die Position "HIGH" gestellt sein.
Der Subwoofer schaltet sich nicht automatisch in den Standby-Betrieb.	Einwirkung von Störgeräuschen von externen Geräten.	Der Subwoofer weiter von der Störquelle entfernt aufstellen und/oder die Lautsprecherkabel anders verlegen. Oder stellen Sie den Ein-/Aus-Schalter (AUTO STANDBY) in die Position "OFF".
	Der Ein-/Aus-Schalter (AUTO STANDBY) befindet sich in der Position OFF.	Der AUTO STANDBY-Schalter sollte auf die Position "HIGH" gestellt sein.
Der Subwoofer wird unerwartet in die Betriebsbereitschaft geschaltet.	Pegel des Eingangssignals ist zu niedrig.	Der AUTO STANDBY-Schalter sollte auf die Position "HIGH" gestellt sein.
Der Subwoofer wird unerwartet eingeschaltet.	Einwirkung von Störgeräuschen von externen Geräten.	Der Subwoofer weiter von der Störquelle entfernt aufstellen und/oder die Lautsprecherkabel anders verlegen. Oder stellen Sie den Ein-/Aus-Schalter (AUTO STANDBY) in die Position "OFF".

TECHNISCHE DATEN

■ NX-230P, NX-C230

Typ Vollakustisches Aufhänge-Lautsprechersystem
zur Verwendung,
Magnetisch abgeschirmt

Treiber 5 cm Vollbereichs-Konus-Tieftöner x 2

Nennbelastbarkeit 30W

Maximale Belastbarkeit 100W

Impedanz 6Ω

Frequenzgang

<NX-230P> 100 Hz bis 30 kHz

<NX-C230> 75 Hz bis 30 kHz

Empfindlichkeit 86 dB/2,83V/m

Abmessungen (B x H x T)

<NX-230P> 72 mm x 164 mm x 111 mm

<NX-C230> 300 mm x 72 mm x 110 mm

Gewicht

<NX-230P> 0,9 kg

<NX-C230> 1,1 kg

■ YST-SW005

Typ Advanced Yamaha Active Servo Technology
Magnetisch abgeschirmt

Treiber 16 cm Konus-Tieftöner

Verstärker-Ausgangsleistung

USA- und Kanada-Modell 55W/5Ω

Andere Modelle 50W/5Ω

Frequenzgang 30 Hz bis 200 Hz

Stromversorgung

USA- und Kanada-Modell Netzstrom 120V, 60 Hz

Großbritannien- und Europa-Modell

..... Netzstrom 230V, 50 Hz

Australien-Modell Netzstrom 240V, 50 Hz

Chinesisches, koreanisches und allgemeines Modell

..... Netzstrom 110-120/220-240V, 50/60 Hz

Leistungsaufnahme 60W

(Im Bereitschaftsmodus: 0,8W)

Abmessungen (B x H x T)

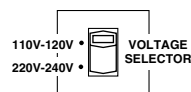
..... 200 mm x 365 mm x 375 mm

Gewicht 8,5 kg

* Bitte nehmen Sie zu Kenntnis, dass alle Spezifikationen ohne vorherige Ankündigung geändert werden können.

FÖRSIKTIGT: Läs detta innan du börjar använda högtalarna.

- För att garantera bästa prestanda är det viktigt att du läser bruksanvisningen noggrant. Behåll den på en säker plats för framtida referens.
- Montera högtalarna på en sval, torr och ren plats – borta från fönster, värmekällor, källor som ger upphov till vibration, damm, fukt och kyla. Undvik bruskällor (transformatorer, elmotorer). Högtalarna får inte utsättas för regn och väta, eftersom det finns risk för brand och elektrisk stöt.
- För att förhindra att högtalarhöljerna blir skeva eller missfärgade, skall du inte ställa dem där de kan utsättas för direkt solljus eller hög luftfuktighet.
- Ställ inte högtalarna där andra föremål kan trilla ned på dem och/eller där de utsättas för droppande eller stänkande vätskor. Placera inte något av följande föremål ovanpå högtalarna:
 - Andra apparater, eftersom de kan skada högtalaren och/eller göra att höljet missfärgas.
 - Stearinljus eller andra brännande föremål, eftersom de kan resultera i eldsvåda samt skada högtalarna och ge personskador.
 - Behållare med vätska, eftersom de kan resultera i elektrisk stöt och/eller skada högtalarna.
- Ställ inte högtalarna på en plats där det finns risk att de knuffas omkull eller träffas av fallande föremål. En stabil placering bidrar också till en bättre ljudkvalitet.
- Om du ställer högtalare på samma hylla eller rack som en vanlig skivspelare, kan rundgångstjut uppstå.
- Köparen är själv ansvarig för stabil placering och installation. YAMAHA kan inte ställas till ansvar för några som helst skador som uppstår på grund av felaktig placering eller installation av dessa högtalare.
- Om du märker förvrängning i ljudet bör du sänka ljudstyrkan med det samma. Låt aldrig förstärkaren styra ut signalen så pass mycket att den "klipper". Du riskerar då att skada högtalarna.
- Om du använder en förstärkare med en högre märkuteffekt än högtalarnas nominella ingångseffekt, skall du vara noga med att inte överskrida högtalarnas maximala ineffekt.
- Rengör inte högtalarna med kemiska lösningsmedel, eftersom detta kan skada deras ytbehandling. Använd en ren, torr trasa.
- Högtalarna får inte modifieras eller repareras av dig själv. Överlåt alla servicearbete åt en kvalificerad YAMAHA-tekniker. Höljet får inte öppnas av någon anledning.
- Läs avsnittet "FELSÖKNING" vid vanliga manövreringsfel, innan du drar slutsatsen att det föreligger något fel på högtalarna.
- Täck inte över högtalarens baksida med tidningar, dukar, gardiner e.dyl., eftersom värmen då inte avleds ordentligt. Om temperaturen i högtalaren blir för hög kan den skadas och det finns risk för brand och/eller personskador.
- Anslut inte högtalaren till nätet förrän alla anslutningar har gjorts.
- Nätspänningen skall vara samma som den spänning som anges på baksidan. Det är farligt att använda högtalaren med högre spänning än vad som anges, eftersom det kan resultera i brand, skada högtalaren och/eller leda till personskador. YAMAHA kan inte hållas ansvarig för skador som uppstår i samband med anslutning av högtalaren till en annan spänning än vad som anges.
- Dra ut stickkontakten vid åskväder för att undgå skador vid blixtnedslag.
- Superbasfrekvenser som genereras av denna högtalare kan göra att det uppstår rundgång (ett tjutande ljud) om du använder en skivspelare i anläggningen. Om detta sker, flytta högtalaren längre bort från skivspelaren.
- Högtalaren kan skadas om vissa typer av ljud återges med mycket hög ljudstyrka. Om man exempelvis återger en 20 Hz-50 Hz sinusvåg från en testskiva, basljud från elektroniska instrument under lång tid, eller pickupnålen sänks ned på en skiva, bör du sänka ljudstyrkan för att undvika skada högtalaren.
- Om du hör förvrängning i ljudet (t.ex. onaturligt smattrande eller hamrande ljud) från högtalaren, skall du sänka ljudstyrkenivån. Dina högtalare kan skadas om du avspelar basfrekvenserna på en films ljudspår, tunga basljud eller liknande kraftiga popmusikpassager med för hög ljudnivå.
- Vibrationerna som uppstår vid återgivning av djup bas kan orsaka bildstörningar på en TV. Om detta inträffar skall du flytta högtalaren längre bort från TV:n.
- När nätkabeln kopplas loss från nätet skall du håll i stickproppen; dra inte i kabeln.
- Dra ut stickproppen från nätuttaget om högtalaren inte skall användas en längre tid (t.ex. under semestern).
- **VOLTAGE SELECTOR (voltväljare)**
(För modell för Kina och Korea samt allmän modell)
Voltväljaren på denna enhets bakpanel måste ställas in på rätt lokalt voltal INNAN du kopplar in enheten på nätet.
Väljaren kan ställa in spänning på 110-120 V eller 220-240 V växelström, 50/60 Hz.



För YST-SW005

- Ställ inte denna högtalare upp och ned. Den kan överhettas och skadas.
- Använd inte onödigt våld på kontroller eller anslutningskablar. Lossa först nätkabeln och kablar anslutna till andra komponenter när högtalaren skall flyttas. Dra aldrig i själva kablarna.
- Eftersom högtalaren har en inbyggd effektförstärkare kommer värme att stråla ut från bakpanelen. Ställ högtalaren på avstånd från väggarna och se till så att det finns ett tillräckligt utrymme ovanför, bakom och på båda sidorna om högtalaren för att förhindra brand eller skador. Dessutom skall du inte placera högtalaren med bakpanelen riktad mot golvet eller andra ytor.
<För modellerna för Storbritannien och Europa>
Se till så att det finns ett fritt utrymme på minst 20 cm ovanför, bakom samt på båda sidorna om högtalaren.
- Vid bruk av en luftfuktare skall du undvika att kondens bildas inuti denna enhet genom att se till att det finns tillräckligt fritt utrymme kring denna enhet eller undvika att det blir alltför fuktigt i rummet. Kondens kan resultera i brand, skador på denna enhet och/eller elektrisk stöt.

Beredskapsläge

När strömbrytaren (POWER) ställs i ON-läget och AUTO STANDBY-omkopplaren ställs i läget HIGH eller LOW, ställs enheten automatiskt i beredskapsläge om ingen signal tas emot under cirka 7 till 8 minuter.
I detta läge drar enheten endast en mycket liten mängd ström.

VARNING

UTSÄTT INTE DENNA KOMPONENT FÖR REGN OCH FUKT FÖR ATT UNDVIKA RISKERNA FÖR BRAND OCH ELEKTRISKA STÖTAR.

PAKETETS DELAR

Högtalarpaketet "NS-P230" och NS-"P236" är utformat för användning i en flerkanalig ljudanläggning, till exempel en hemmabioanläggning.

NS-P230 innehåller fyra NX-230P-högtalare, en NX-C230-högtalare och en YST-SW005-subwooferhögtalare.

NS-P236 innehåller fem NX-230P-högtalare, en NX-C230-högtalare och en YST-SW005-subwooferhögtalare.

<NX-230P>

Fullområdeshögtalare med akustisk upphängning. Den används som huvudhögtalare och bakre högtalare (samt bakre mitthögtalare för NS-P236)

<NX-C230>

Fullområdeshögtalare med akustisk upphängning. Den används som mitthögtalare.

<YST-SW005>

Active Servo Processing subwooferhögtalare med inbyggd effektförstärkare

- Denna subwooferhögtalare använder sig av den aktiva servoteknik (Advanced YAMAHA Active Servo Technology) som YAMAHA utvecklat för återgivning av ett superbassljud med hög kvalitet. (Se sid 14 för mer information om denna teknik.) Med detta superbassljud kan ett mer realistiskt, biosalongsliknande ljud uppnås från en vanlig hemstereoanläggning.
- Denna subwooferhögtalare kan lätt kopplas till en existerande ljudanläggning genom att ansluta den antingen till högtalarutgångarna eller till linjeutgångarna (stiftkopplingar) på förstärkaren.
- AUTO STANDBY-omkopplaren gör att du slipper besväret med att sätta POWER-knappen i läge ON eller OFF.

INNEHÅLL

UPPACKNING	Insidan av främre omslaget
FÖRSIKTIGT	1
PAKETETS DELAR	2
PLACERING AV HÖGTALARNA	3
Placering av subwooferhögtalaren	4
Placering av mitthögtalaren	4
Montering av de bakre högtalarna (och den bakre mitthögtalaren för NS-P236)	5
Placering av huvudhögtalarna/de bakre högtalarna (och den bakre mitthögtalaren för NS-P236)	6
ANSLUTNINGAR	7
Ett exempel på grundläggande anslutningar	7
Så ansluter du högtalarkablarna till högtalarnas ingångar och utgångar	9
Anslutning av subwooferhögtalaren till högtalarutgångarna på en förstärkare	10

ANVÄNDNING AV SUBWOOFER-HÖGTALAREN (YST-SW005)	11
Kontrollerna och deras funktioner	11
Justering av subwooferhögtalaren innan den används	12
Frekvenssvar	13
ADVANCED YAMAHA ACTIVE SERVO TECHNOLOGY (för YST-SW005)	14
FELSÖKNING	15
TEKNISKA DATA	16

PLACERING AV HÖGTALARNA

Innan du utför några anslutningar, skall du placera samtliga högtalare på sina rätta platser. Placeringen av högtalarna är viktig, därför att den bestämmer ljudkvaliteten för hela anläggningen.

Följ anvisningarna nedan och placera högtalarna korrekt i förhållande till din lyssningsposition.

Högtalarkonfiguration

<NS-P230>

Högtalarpaketet har 6 högtalare: 2 huvudhögtalare 2 bakre högtalare, en mitthögtalare och en subwooferhögtalare.

Huvudhögtalarna återger huvudkällans ljud. De bakre högtalarna återger surroundljud, och mitthögtalaren återger ljud som kommer i mitten (dialog o.dyl.).

Subwooferhögtalaren förstärker anläggningens bas.

<NS-P236>

Högtalarpaketet har 7 högtalare: 2 huvudhögtalare 2 bakre högtalare, en mitthögtalare, en bakre mitthögtalare och en subwooferhögtalare.

Huvudhögtalarna återger huvudkällans ljud. De bakre högtalarna och den bakre mitthögtalaren återger surroundljud, och mitthögtalaren återger ljud som kommer i mitten (dialog o.dyl.) Subwooferhögtalaren förstärker anläggningens bas.

Anmärkning

I detta högtalarpaket används likadana högtalare (NS-230P) som både huvudhögtalare och bakre högtalare (och bakre mitthögtalare för NS-P236).

Högtalarnas placering

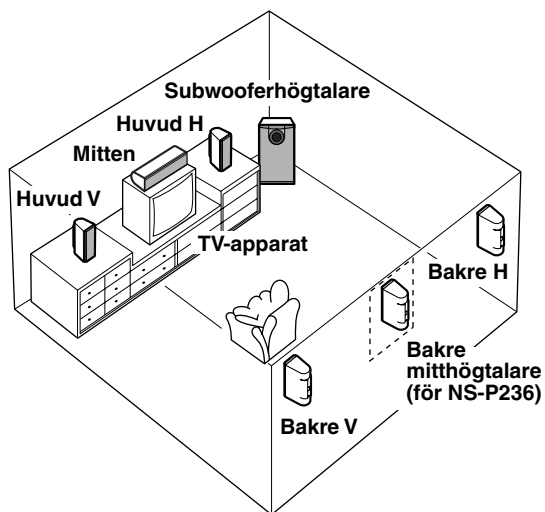
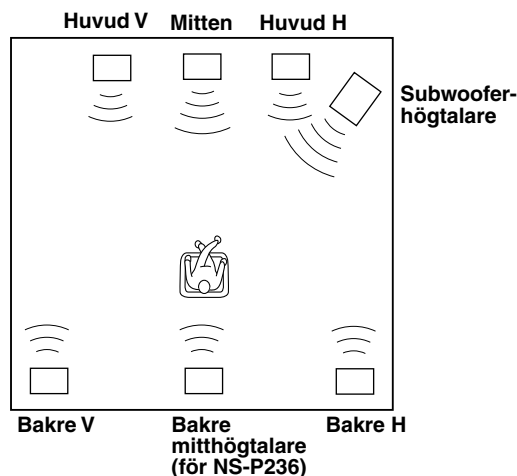
Huvudhögtalare: På båda sidorna om och ungefär lika högt som TV-mottagaren.

Bakre högtalare: Bakom din lyssningsposition, något inåtvridna. Ca. 1,8 m från golvet.

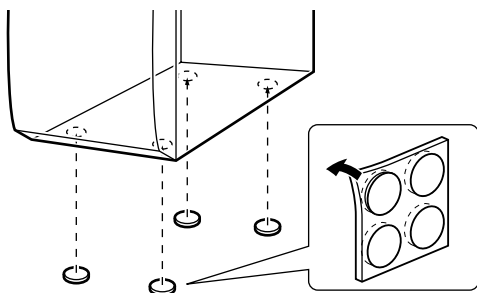
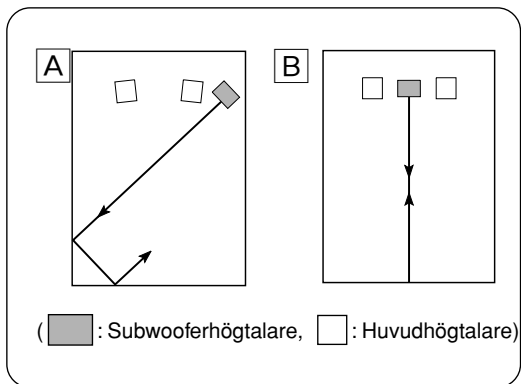
Mitthögtalare: Precis mitt mellan huvudhögtalarna.

Bakre mitthögtalare (för NS-P236): Precis mitt mellan de bakre högtalarna.

Subwooferhögtalare: Placeringen av subwooferhögtalaren är inte av så stor betydelse, därför att låga basljud inte har särskilt stor riktungsverkan. Se avsnittet "Placering av subwooferhögtalaren" nedan beträffande den rekommenderade placeringen för subwooferhögtalaren.



■ Placering av subwooferhögatalaren



Vi rekommenderar att du ställer subwooferhögatalaren på utsidan antingen till höger eller vänster om huvudhögatalaren. (Se fig. [A].) Placeringen som visas i fig. [B] är också möjlig, men om subwooferhögatalaren vänder direkt mot en vägg kan baseffekten förloras eftersom basen från högatalaren kan cancelleras av samma basljud som reflekteras från väggen. För att undvika att detta händer, bör du rikta subwooferhögatalaren i en vinkel så som visas i fig. [A].

Anmärkning

Det kan hända att du inte får tillräckligt superbasljud från subwooferhögatalaren när du lyssnar i mitten av rummet. Detta beror på att "stående vågor" har utvecklats mellan två parallella väggar och därför eliminerar basljudet. Rikta i så fall subwooferhögatalaren indirekt mot väggen. Det kan också vara nödvändigt att bryta upp parallelliteten mellan ytorna genom att placera ut bokhyllor e.dyl. utefter väggarna.

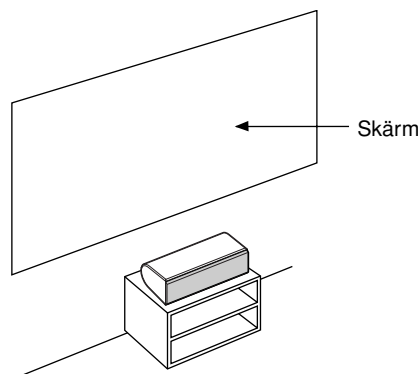
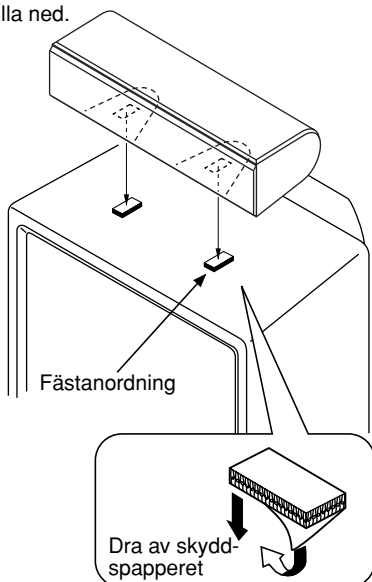
Använd glidskyddsdynorna

Sätt de medföljande glidskyddsdynorna i de fyra hörnen på subwooferhögatalarens undersida, för att förhindra att subwooferhögatalaren rör sig på grund av vibrationer etc.

■ Placering av mitthögatalaren

Ställ högatalaren ovanpå en TV med en plan ovsida, på golvet under TV:n eller inne i TV-möbeln, så att den står stabilt.

Om högatalaren placeras ovanpå TV:n, skall du klistra fast de medföljande fästnordningarna på två ställen på undersidan av högatalaren och TV:ns ovsida så att den inte kan trilla ned.

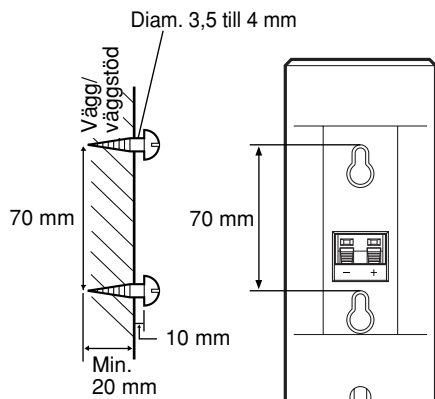


Anmärkningar

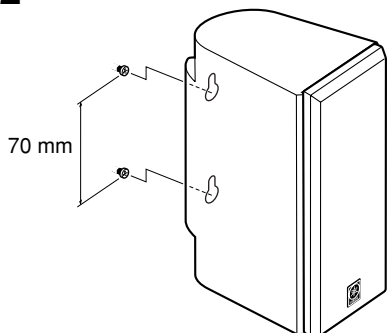
- Om högatalarens undersida är större än TV:ns ovsida får du inte placera högatalaren på TV:n. I annat fall finns det risk att högatalaren trillar ned och skadar dig.
- Placera inte högatalaren ovanpå en TV vars ovsida lutar.
- Rör inte klisterytan efter att skyddspapperet tagits loss, eftersom fästförmågan då försvagas.
- Torka först av ytan ordentligt så den blir ren innan fästnordningen klistras fast. Fästförmågan försvagas om ytan är smutsig, fettig eller fuktig med risk att mitthögatalaren kan trilla ned.

■ Montering av de bakre högtalarna (och den bakre mitthögtalaren för NS-P236)

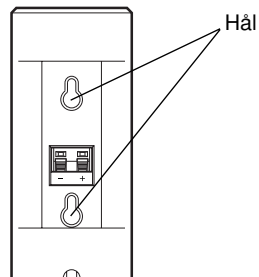
1 Gängskruv (säljs i järnaffärer)



2



Placera de bakre högtalarna (och den bakre mitthögtalaren för NS-P236) på en hylla, i ett rack, direkt på golvet eller häng upp dem på väggen.



Upphängning av högtalarna på en vägg med användning av hålen på högtalarnas baksida

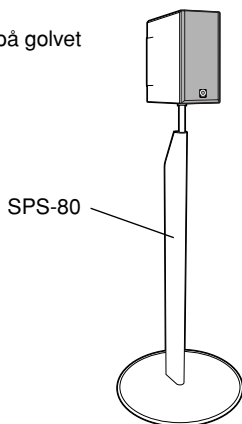
- 1 Skruva i skruvar i en stadig vägg eller ett väggstöd som bilden visar.
- 2 Häng högtalaren i sina monteringshål på de utstickande skruvarna.
 - * Kontrollera att skruvarna sitter stadigt i den smala delen av hålen.

VARNING

- Varje högtalare väger 0,9 kg. Häng inte upp dem på tunn plywood eller på väggar med mjuk yta. Om de monteras så, kan skruvarna lossna från den mjuka ytan så att högtalarna faller ned. Då skadas högtalarna och du kan också skada dig själv.
- Montera inte högtalarna på väggen med spik, lim eller på andra felaktiga sätt. Långtidsanvändning och vibrationer kan göra att högtalarna faller ned.
- Fäst högtalarkablarna på väggen, för att undvika olyckor orsakade av att någon snavar över friliggande högtalarkablar.
- Välj en lämplig plats på väggen för montering av högtalaren, så att det inte finns risk att någon skadar sitt huvud eller ansikte.

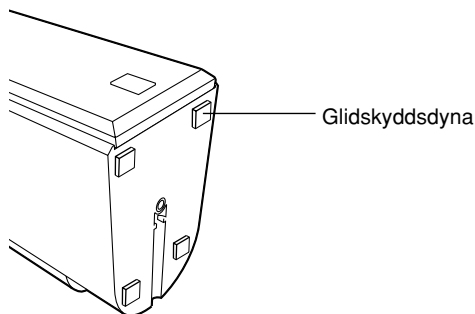
Användning av Yamaha-högtalarstället SPS-80 (tillval)

Du kan ställa högtalarna på golvet med hjälp av Yamaha högtalarstället SPS-80.



* SPS-80 säljs inte i vissa områden.

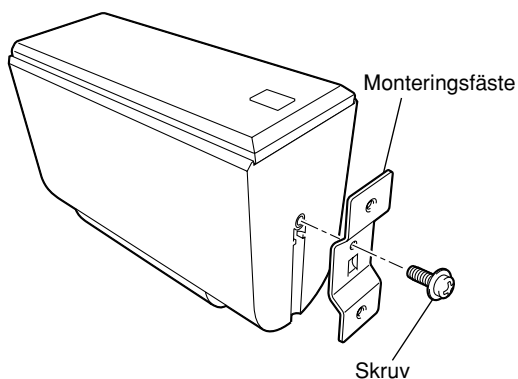
■ Placering av huvudhögtalarna/de bakre högtalarna (och den bakre mitthögtalaren för NS-P236)



Vid placering av högtalarna på en plan yta, skall du klistra fast glidskyddsdynorna på högtalarnas undersida i hörnen såsom bilden till vänster visar. Det motverkar att högtalarna glider runt.

* NS-P236 levereras med fyra extra glidskyddsdynor.

Om du vill montera en högtalare i ett högtalarställ (säljs separat) - gäller huvudhögtalarna/de bakre högtalarna (och den bakre mitthögtalaren för NS-P236)



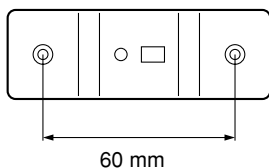
Det medföljande monteringsfästet med två skruvhål (60 mm avstånd mellan dem) kan användas för montering av högtalaren på ett högtalarstativ.

* Dessa skruvhål kan endast användas för skruvstorleken M4.

- 1 Sätt fast fästet på högtalarens undersida med den medföljande skruven, så att den konvexa delen av fästet passas in i den spårade delen på högtalarens undersida såsom bilden till vänster visar.
- 2 Montera högtalaren på högtalarfästet med hjälp av skruvhålen i fästet.

Anmärkning

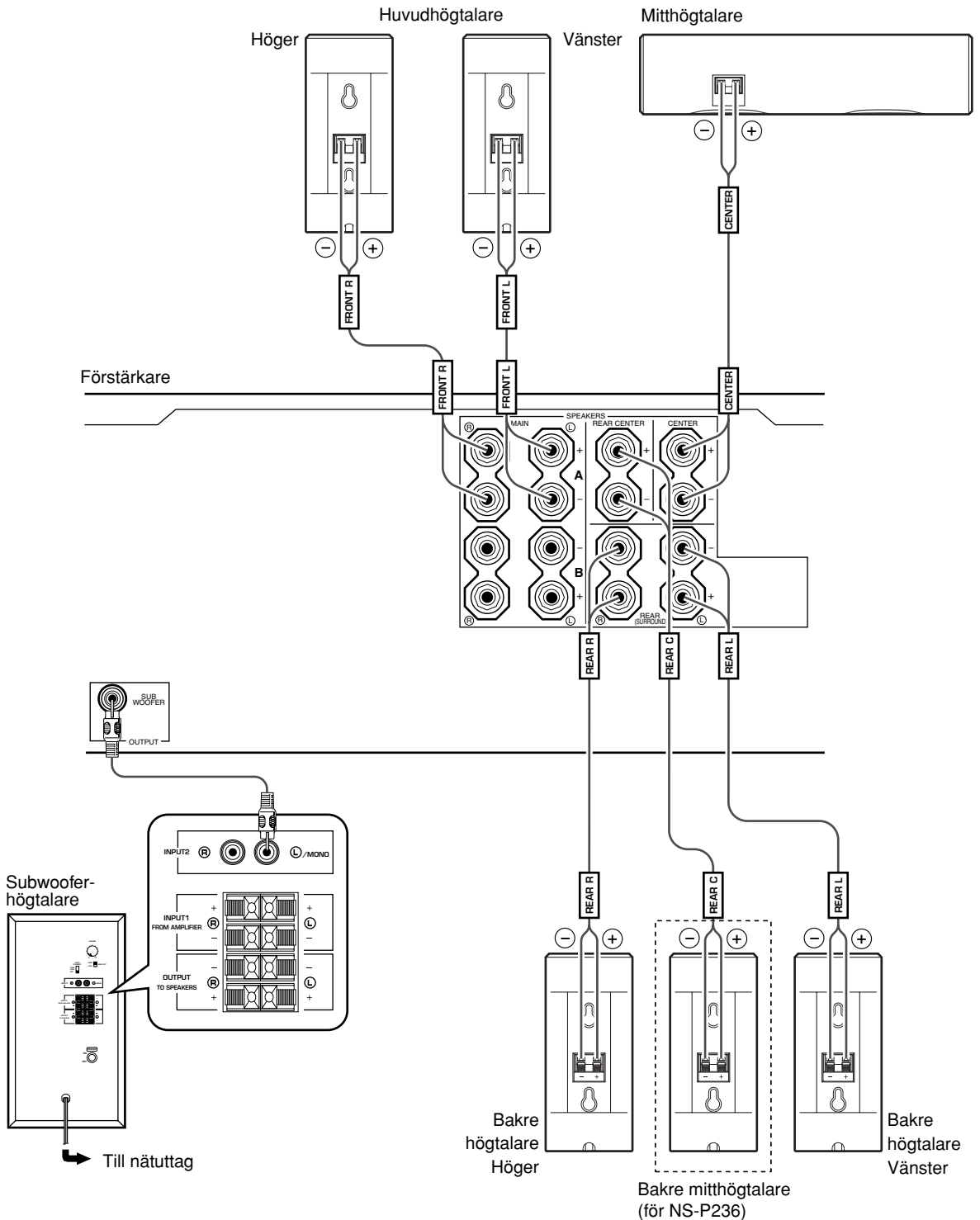
Ett monteringsfäste medföljer för varje högtalare.



ANSLUTNINGAR

Observera: Anslut subwooferhögtalaren och andra audio/videoapparater efter att samtliga andra anslutningar är klara.

■ Ett exempel på grundläggande anslutningar



- Använd de medföljande högtalarkablarna för att ansluta huvudhögtalarna, mitthögtalaren och de bakre högtalarna (och den bakre mitthögtalaren för NS-P236) till högtalarutgångarna på förstärkaren.
 - * De medföljande högtalarkablarna har märkts FRONT L, FRONT R, CENTER, REAR L, REAR R (och REAR C för NS-P236). Anslut varje högtalarkabel till motsvarande högtalare såsom bilden på sid 7 visar.
 - * Var noga med att inte förväxla polariteten (+, -) vid anslutningen av varje högtalare. Ljudet låter onaturligt och basen är svag om den ena högtalaren ansluts med omkastad polaritet.
 - * Endast för huvudhögtalarna och de bakre högtalarna skall du ansluta en högtalare till vänstersidans uttag (märkta L) på förstärkaren, och den andra högtalaren till högersidans uttag (märkta R).
- Normalt sett skall du ansluta subwooferhögtalaren till linjeutgången (stiftkontakt) på förstärkaren. Om din förstärkare inte har någon linjeutgång, skall du ansluta subwooferhögtalaren till högtalarutgångarna på förstärkaren. (Se sid 9 för ytterligare upplysningar.)
 - * Vid anslutning till en YAMAHA DSP-förstärkare (eller AV-receiver), skall du ansluta mellan uttaget SUBWOOFER (eller LOW PASS etc.) på DSP-förstärkarens (eller AV-receiverns) baksida och uttaget **L**/MONO INPUT2 på subwooferhögtalaren.
 - * Om du vill ansluta subwoofern till SPLIT SUBWOOFER-utgången på baksidan av DSP-förstärkaren, skall du ansluta till både vänster **L** och höger **R** INPUT2-ingångar på subwooferhögtalaren.

Anmärkning

När anslutning sker till en monolinjeutgång på förstärkaren, anslut till uttaget **L**/MONO INPUT2.

■ Så ansluter du högtalarkablarna till högtalarnas ingångar och utgångar

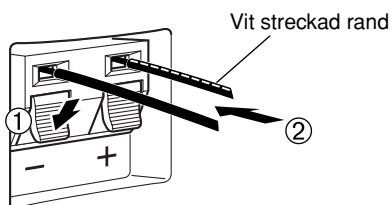
Vid anslutningen skall du göra högtalarkablarna så korta som möjligt. Bunta inte ihop eller rulla upp för långa kablar. Om anslutningen görs fel, hörs det inget ljud från högtalarna.

Huvudhögtalare/mitthögtalare/bakre högtalare Bakre mitthögtalare (för NS-P236)

Ena sidan av den medföljande högtalarkabeln har en vit streckad rand och den andra sidan har ingen rand. Anslut den ledningssida som har en vit streckad rand till uttagen (+) på både högtalaren och förstärkaren. Anslut den ledningssida som inte har någon rand till uttagen (-) på båda enheterna.

Röd: positiv (+)

Svart: negativ (-)



Innan anslutningarna görs

Ta bort isoleringen i ändan av varje högtalarkabel genom att vrida av isoleringsbiten.

Rätt Fel



Anslutningsmetod:

- ① Håll uttagets flik nedtryckt såsom bilden visar.
- ② Sätt i den nakna högtalartråden.
- ③ Tag bort fingret från fliken så att kabeländan låses fast ordentligt.
- ④ Drag lätt i kabeln vid anslutningen för att kontrollera att den sitter ordentligt fast.

Anmärkning

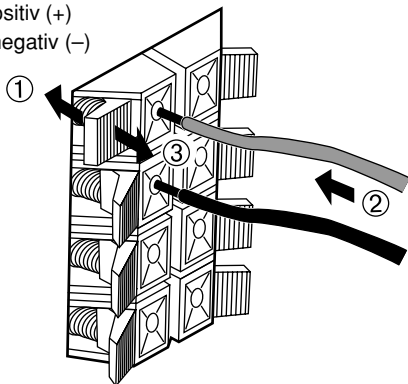
Se till att de nakna högtalarkablarna inte rör vid varandra, eftersom detta kan skada både högtalaren och förstärkaren.

Subwooferhögtalare (INPUT1/OUTPUT-anslutningarna)

Anslut ena sidan av ledningen för att ansluta mellan plusuttagen (+) på både förstärkaren och subwooferhögtalaren. Använd den andra sidan av ledningen för att ansluta mellan minusuttagen (-) på båda enheterna.

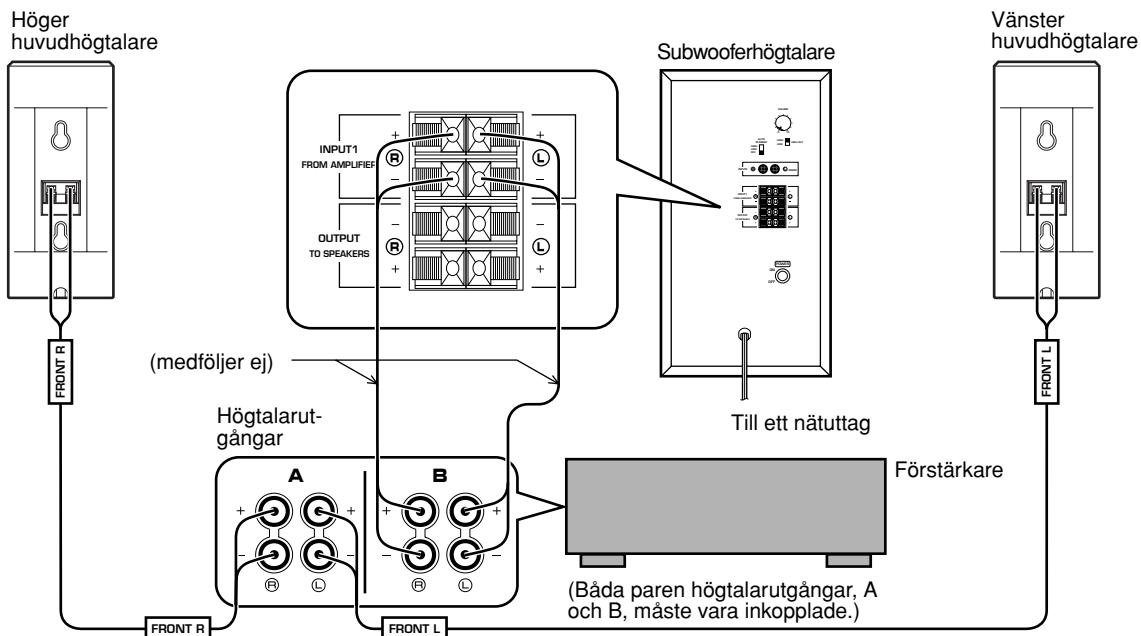
Röd: positiv (+)

Svart: negativ (-)



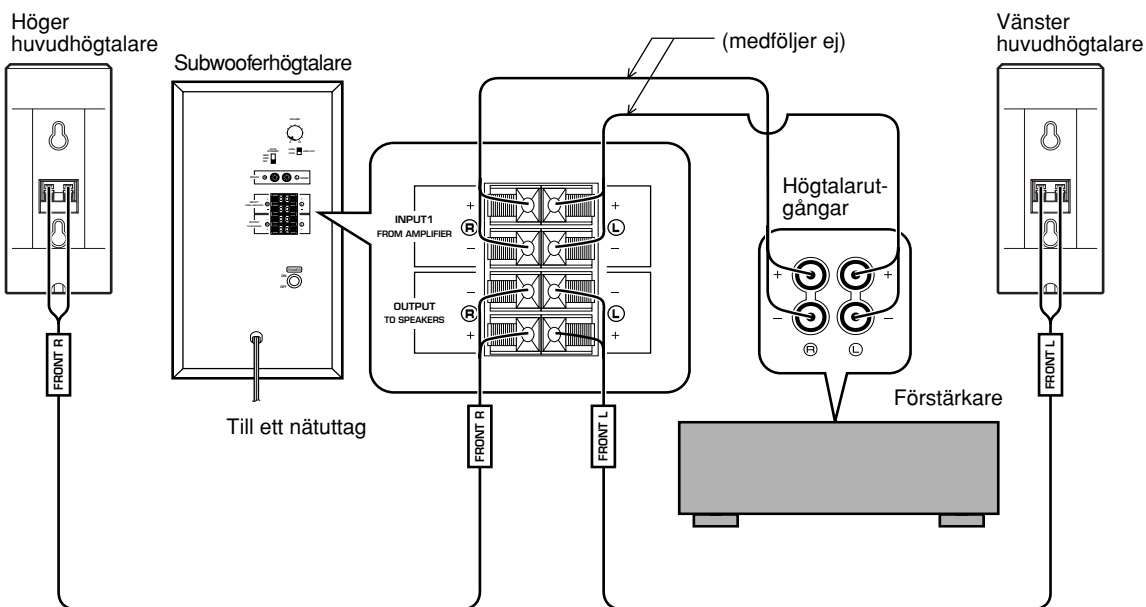
■ Anslutning av subwooferhögtalaren till högtalarutgången på en förstärkare

Om förstärkaren har två par högtalarutgångar



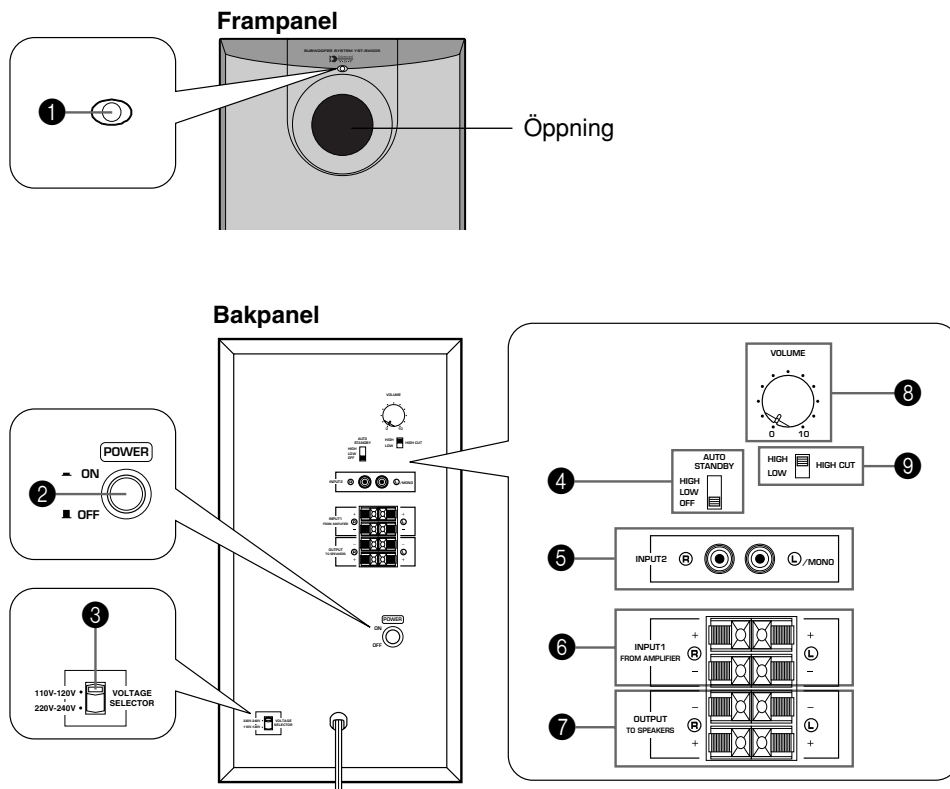
Om din förstärkare endast har uttag för ett par huvudhögtalare

Anslut mellan förstärkarens högtalarutgång och ingången INPUT1 på subwooferhögtalaren, och anslut mellan utgången OUTPUT på subwooferhögtalaren och huvudhögtalarna.



ANVÄNDNING AV SUBWOOFERHÖGTALAREN (YST-SW005)

■ Kontrollerna och deras funktioner



- 1** Driftindikator
Lyser GRÖNT när **POWER** knappen (2) trycks till ON-läge och slocknar när den sätts i OFF-läge.
* Beredskapsläge
Om **POWER** knappen (2) trycks till ON-läge och **AUTO STANDBY** omkopplaren (4) sätts i läge HIGH eller LOW, lyser denna indikator RÖTT om subwoofern inte tar emot någon signal.
- 2** Strömbrytare **POWER**
Tryck denna knapp till ON-läge för att slå på strömmen till subwooferhögtalaren. När strömmen till subwooferhögtalaren har slagits på, lyser driftindikatorn (1) på frontpanelen GRÖNT. Tryck knappen till OFF-läge för att stänga av subwooferhögtalaren.
- 3** Nätspänningsväljare (**VOLTAGE SELECTOR**)
(För modell för Kina och Korea samt allmän modell)
Om väljaren är felinställd vid leveransen, skall den kopplas om till den korrekta spänningen (110V-120V, 220V-240V) där du bor.
Kontakta återförsäljaren om du är osäker på vilket omfång som skall användas.
VARNING
Kom ihåg att lossa subwooferhögtalaren från elnätet innan du ställer in **VOLTAGE SELECTOR**-väljaren korrekt.
- 4** Omkopplare för automatiskt beredskapsläge **AUTO STANDBY (HIGH/LOW/OFF)**
Denna omkopplare är normalt satt i OFF-läge. När denna omkopplare sätts i läge HIGH eller LOW, fungerar subwooferhögtalarens funktion för automatisk påslaging/avstängning på det sätt som förklaras på sida 9. Sätt omkopplaren i OFF-läge om du inte vill använda denna funktion.
* Se till att du ändrar omkopplarens inställning endast när **POWER**-knappen (2) är i OFF-läge.
- 5** Linjeingångar **INPUT2**
Används för inmatning av linjenivåsignaler från förstärkaren.
- 6** Högtalaringång **INPUT1 (FROM AMPLIFIER)**
Används för att ansluta högtalaruttagen på förstärkaren till subwooferhögtalaren.
- 7** Högtalarutgång **OUTPUT (TO SPEAKERS)**
Kan användas för anslutning till huvudhögtalarna. Signaler från högtalaruttagen (**INPUT1**) (6) sänds till dessa uttag.
- 8** Volymkontroll (**VOLUME**)
Justerar ljudstyrkenivån. Vrid medurs för att höja nivån och moturs för att sänka den.
- 9** **HIGH CUT (HIGH/LOW)**-omkopplare
Väljer delningsfrekvensen för höga frekvenser. Vanligtvis bör omkopplaren stå på LOW, men det kan bli nödvändigt att ställa den i HIGH-läget. Se sidorna 12 och 13.

Funktion för automatisk påslagning/avstängning

Subwooferhögtalaren ställs automatiskt i beredskapsläge om en programkälla slutar spela eller om ingångssignalen är borta i 7 till 8 minuter. (Driftindikatorn lyser rött när subwooferhögtalaren kopplas till beredskapsläget av funktionen för automatisk påslagning/avstängning.)

När du spelar en programkälla igen sätts strömmen till subwooferhögtalaren på automatiskt, eftersom den detekterar en signal på signalingången.

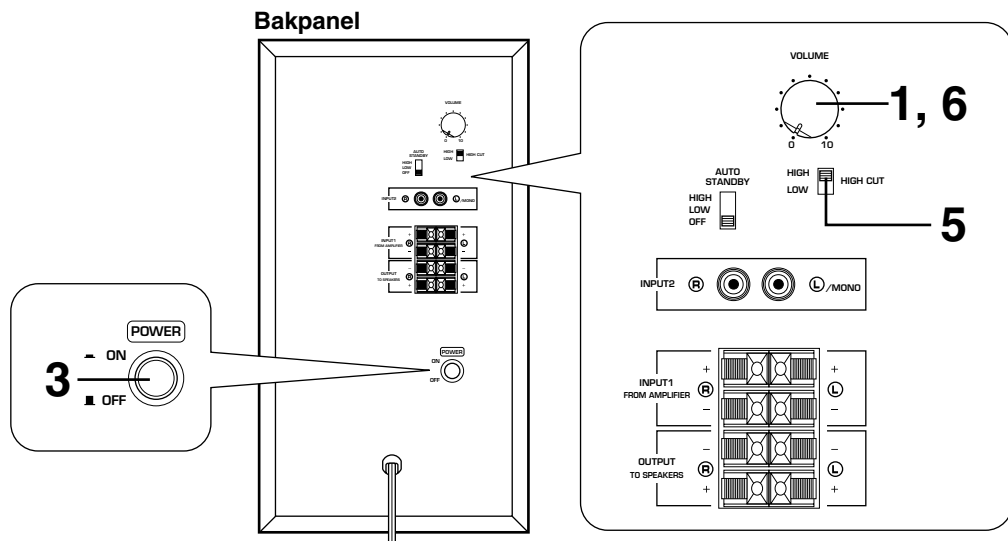
Denna funktion arbetar genom att detektera en viss signalnivå hos ingångens låga frekvenser. Ställ vanligtvis **AUTO STANDBY**-omkopplaren i LOW-läget. Ställ omkopplaren i HIGH-läget om utrustningen inte slås på (ON) eller ställs i Standby-läge ordentligt. I HIGH-läget slås strömmen på även om ingångssignalen är låg. Kom dock ihåg att det kan hända att subwooferhögtalaren inte kopplas om till beredskapsläge när ingångssignalen är mycket svag.

- * Strömmen kan sättas på oväntat vid avkänning av störningar från annan utrustning. Om detta inträffar skall du sätta **AUTO STANDBY**-omkopplaren i läge OFF och använda **POWER**-knappen för att växla manuellt mellan ON och OFF.
- * Denna funktion känner av lågfrekvenssignaler på 200 Hz och under (t.ex. explosioner i action-filmer, ljud från en basgitarr eller bastrummar osv.).
- * Det antal minuter det tar att sätta subwooferhögtalaren i beredskapsläget kan variera beroende på om störningar från annan utrustning detekteras.

Denna funktion kan endast användas när strömmen till subwooferhögtalaren har satts på (genom att trycka in POWER-knappen).

Justering av subwooferhögtalaren innan den används

Innan du börjar använda subwooferhögtalaren, skall du justera den så att du får bästa tänkbara ljudnivå och tonbalans mellan subwooferhögtalaren och huvudhögtalarna. Följ anvisningarna som beskrivs nedan.



- 1 Ställ volymkontrollen (**VOLUME**) på minimum (0).
- 2 Slå på strömmen till alla andra komponenter.
- 3 Tryck in strömbrytaren (**POWER**) till ON.
* Driftindikatorn på frontpanelen lyser grönt.
- 4 Spela en källa med lågfrekvensinslag och ställ in förstärkarens volymkontroll på en önskad lyssningsnivå.
- 5 Ställ **HIGH CUT**-omkopplaren i läge LOW eller HIGH.

Subwooferhögtalaren är gjort för optimal tonbalans mellan subwooferhögtalaren och huvudhögtalarna när omkopplaren står i LOW-läget. Tonbalansen påverkas dock av lyssningsrummets storlek, subwooferhögtalarens avstånd från huvudhögtalarna m.m. Omkopplaren bör vid behov ställa i HIGH-läget.

- 6 Hög ljudstyrkenivån gradvis för att justera ljudstyrkebalansen mellan subwooferhögtalaren och huvudhögtalarna.

Vanligtvis skall du ställa omkopplaren i det läge som ger en aning mer bas jämfört med när subwooferhögtalaren inte används. Om du inte får önskad ljudåtergivning, bör du justera **HIGH CUT**-omkopplaren och **VOLUME**-kontrollen en gång till.

- När en gång ljudstyrkebalansen mellan subwooferhögtalaren och huvudhögtalarna har justerats, kan du justera ljudstyrkan för hela ljudanläggningen med förstärkarens volymkontroll. Om du byter ut huvudhögtalarna (NX-230P) mot några andra högtalare, måste du dock utföra denna justering igen.
- Se avsnittet "Frekvenssvar" nedan angående rätt inställning av **VOLUME**-kontrollen och **HIGH CUT**-omkopplaren.

■ Frekvenssvar

Fig. 1 visar frekvenssvaret med subwooferhögtalaren för **HIGH CUT**-omkopplarens två olika lägen (HIGH/LOW).

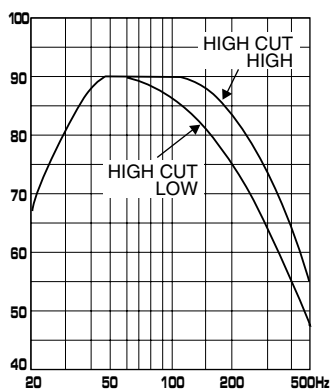


Fig. 1

Fig. 2 visar optimal ljudstyrkenivå och frekvenssvaret med **HIGH CUT**-omkopplaren i HIGH-läget när subwooferhögtalaren används tillsammans med NX-230P.

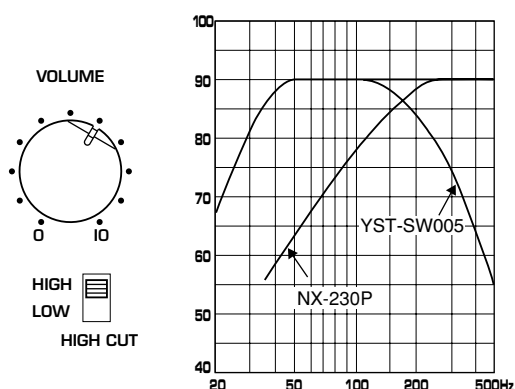


Fig. 2

ADVANCED YAMAHA ACTIVE SERVO TECHNOLOGY (för YST-SW005)

Principen för Yamaha Active Servo Technology baseras på två grundläggande tekniska fakta, nämligen Helmholtz-resonator och drift med negativ impedans. Högtalare med Active Servo Processing återger basfrekvenserna genom ett s.k. luft-baselement, som egentligen är en liten port eller öppning i högtalarlådan. Denna öppning används istället för baselementet i konventionella högtalare och fungerar på precis samma sätt.

Och enligt Helmholtz resonansteori sånds de signaler med låg amplitud, som alstras i högtalarlådan, ut genom denna öppning som signaler med hög amplitud, om förhållandet mellan öppningens storlek och högtalarlådans volym är korrekt för att uppfylla kravet på viss kvot.

Utöver detta måste amplituden inom högtalarlådan vara såväl exakt som tillräckligt hög för att besegra luftmotståndet i högtalarlådan.

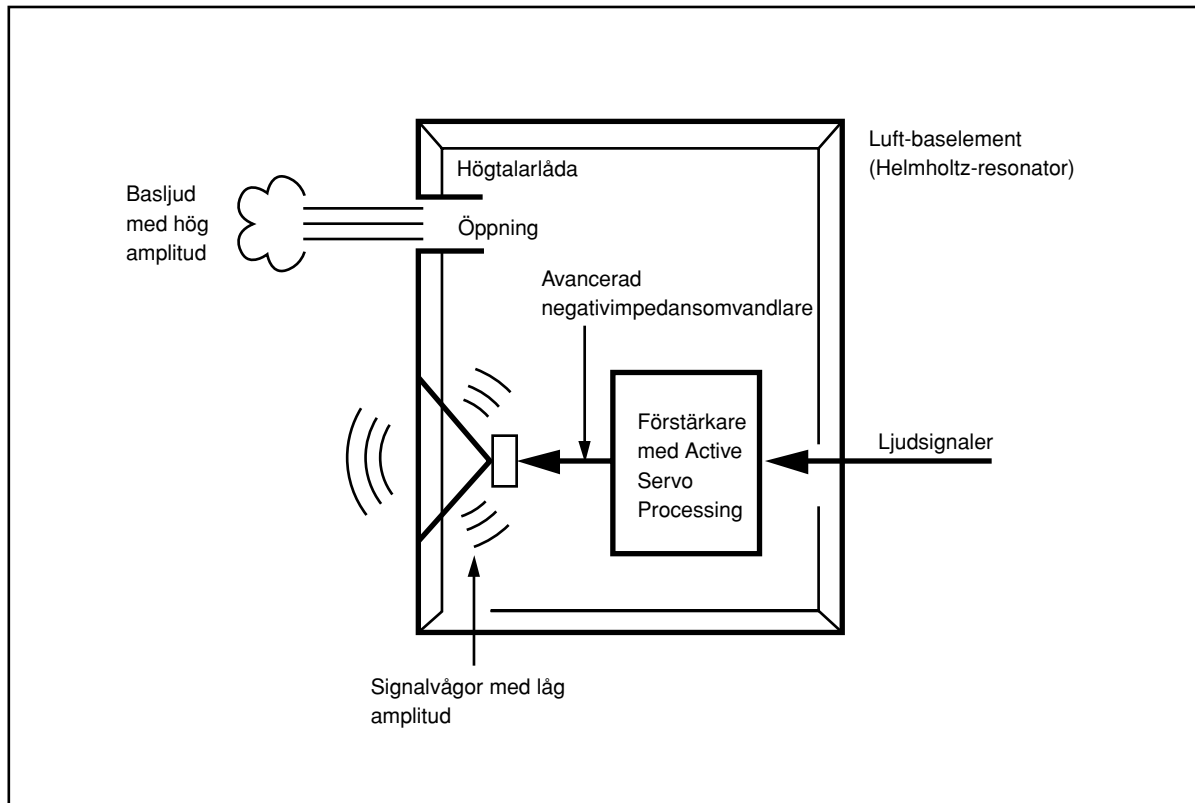
Problemen löses genom att utnyttja ett nytt utförande i vilket förstärkaren matar speciella signaler.

Om talspolens elektriska motstånd reduceras till noll skulle högtalarmembranets rörelser bli linjära i förhållande till signalens spänning. För att förverkliga detta utnyttjas ett speciellt utgående drivsteg med negativ impedans i slutsteget för att subtrahera förstärkarens utimpedans.

Förstärkaren alstrar exakta, lågfrekventa vågor med låg amplitud och utomordentlig dämpkaraktär genom att utnyttja drivkretsar med negativ impedans. Dessa vågor strålar sedan ut via öppningen i högtalarlådan som signaler med hög amplitud.

Tack vare att förstärkarens utgående drivsteg med negativ impedans och högtalarlåda med Helmholtz-resonator används, återger förstärkaren med detta utförande ljudet med mycket brett frekvensomfång och förvånande bra ljudkvalitet med låg distorsion. Det ovanstående beskriver de grundläggande principerna för Yamahas konventionella Active Servo Technology.

I vår nya, aktiva servoteknik - Advanced Yamaha Active Servo Technology - ingår ANIC-kretsar (ANIC = avancerad negativimpedansomvandlare), vilket tillåter den konventionella negativimpedansomvandlaren att variera dynamiskt för att kunna välja ett optimalt värde för högtalarimpedansvariation. Med dessa nya ANIC-kretsar kan Yamahas avancerade aktiva servoteknik erbjuda stabilare prestanda och förbättrat ljudtryck, i jämförelse med Yamahas konventionella aktiva servoteknik, vilket resulterar i naturligare och dynamisk basåtergivning.



FELSÖKNING

Se nedanstående tabell om högtalaren inte fungerar på rätt sätt. Om de problem du upplever inte finns uppräknade i nedanstående tabell eller om anvisningarna här nedan inte hjälper, skall du lossa nätkabelns kontakt och kontakta din auktoriserade YAMAHA-återförsäljare eller din serviceverkstad.

Problem	Orsak	Åtgärd
Inget ljud.	Högtalarkablarna är inte ordentligt anslutna.	Anslut dem ordentligt.
Ljudstyrkenivån är alltför låg.	Högtalarkablarna har inte anslutits korrekt.	Anslut dem ordentligt, dvs. L (vänster) till L, R (höger) till R, "+" till "+" och "-" till "-".

för YST-SW005

Problem	Orsak	Åtgärd
Strömmen slås inte på även om strömbrytaren (POWER) sätts i ON-läge.	Stickkontakten sitter inte ordentligt i vägguttaget.	Sätt in den ordentligt.
Inget ljud.	VOLUME-kontrollen står på 0.	Vrid VOLUME-kontrollen medurs.
	Högtalarkablarna är inte ordentligt anslutna.	Anslut dem ordentligt.
Ljudstyrkenivån är alltför låg.	Högtalarkablarna har inte anslutits korrekt.	Anslut dem ordentligt, dvs. L (vänster) till L, R (höger) till R, "+" till "+" och "-" till "-".
	En källa med lite bas spelas.	Spela en källa med mer bas. Ställ HIGH CUT-omkopplaren på "HIGH".
	Nivån påverkas av stående vågor.	Flytta subwooferhögtalaren eller bryt upp de parallella ytorna genom att placera ut bokhyllor e.dyl. utefter väggarna.
Subwoofern sätts inte på automatiskt.	Strömbrytaren (POWER) står på OFF.	Ställ strömbrytaren (POWER) på ON.
	AUTO STANDBY-omkopplaren har satts i OFF-läge.	Ställ AUTO STANDBY-omkopplaren på "HIGH" eller "LOW".
	Insignalnivån är för låg.	Ställ AUTO STANDBY-omkopplaren på "HIGH".
Subwoofern ställs inte i beredskapsläge automatiskt.	Påverkan av brus som alstrats från yttre apparater eller andra källor.	Placera subwooferhögtalaren längre bort från sådana apparater och/eller flytta de anslutna högtalarkablarna. Du kan också ställa AUTO STANDBY-omkopplaren på "OFF".
	AUTO STANDBY-omkopplaren har satts i OFF-läge.	Ställ AUTO STANDBY-omkopplaren på "HIGH".
Subwooferhögtalaren sätts oväntat i beredskapsläge.	Insignalnivån är för låg.	Ställ AUTO STANDBY-omkopplaren på "HIGH".
Subwooferhögtalaren sätts på oväntat.	Påverkan av brus som alstrats från yttre apparater eller andra källor.	Placera subwooferhögtalaren längre bort från sådana apparater och/eller flytta de anslutna högtalarkablarna. Du kan också ställa AUTO STANDBY-omkopplaren på "OFF".

TEKNISKA DATA

■ NX-230P, NX-C230

Typ Fullområdeshögtalare med akustisk upphängning
Magnetiskt avskärmat typ

Drivsteg 5 cm konhögtalare med fullt omfång x 2

Nominell ineffekt 30W

Maximal ineffekt 100W

Impedans 6Ω

Frekvensrespons

<NX-230P> 100 Hz till 30 kHz

<NX-C230> 75 Hz till 30 kHz

Känslighet 86 dB/2,83 V/m

Dimensioner (B x H x D)

<NX-230P> 72 mm x 164 mm x 111 mm

<NX-C230> 300 mm x 72 mm x 110 mm

Vikt

<NX-230P> 0,9 kg

<NX-C230> 1,1 kg

■ YST-SW005

Typ Advanced Yamaha Active Servo Technology
Magnetiskt avskärmat typ

Drivsteg 16 cm konbaselement

Förstärkarens uteffekt

Modell för USA och Canada 55W/5Ω

Övriga modeller 50W/5Ω

Frekvensrespons 30 Hz till 200 Hz

Strömförsörjning

Modell för USA och Canada Växelström 120V, 60 Hz

Modell för Storbritannien och Europa

..... Växelström 230V, 50 Hz

Modell för Australien Växelström 240V, 50 Hz

Modell för Kina och Korea samt allmän modell

..... Växelström 110-120/220-240V, 50/60 Hz

Effektförbrukning 60W
(I beredskapsläget: 0,8W)

Dimensioner (B x H x D) 200 mm x 365mm x 375 mm

Vikt 8,5 kg

* Rätten till ändringar förbehålles.

AVVERTENZA: Prima di cominciare ad usare l'apparecchio leggere quanto segue.

- Per ottenere le migliori prestazioni, leggere attentamente il presente manuale. Conservarlo poi in luogo sicuro, per eventuali necessità a future.
- Installare gli altoparlanti in un luogo fresco, asciutto e pulito, lontano da finestre, sorgenti di calore, vibrazioni intense, polvere, umidità, freddo e sorgenti di ronzii (trasformatori, motori). Per prevenire fiammate e folgorazioni, non esporre gli altoparlanti all'acqua e all'umidità.
- Per prevenire la deformazione o la scoloritura dell'involucro, non installare gli altoparlanti in un luogo dove saranno esposti alla luce diretta del sole o ad un livello eccessivo d'umidità.
- Evitare d'installare gli altoparlanti in luoghi dove oggetti estranei potranno cadere sugli stessi e/o dove saranno esposti a sgocciolamenti o schizzi di liquidi.
Non posizionare i seguenti oggetti sopra gli altoparlanti:
 - Altri componenti, poiché possono recare danni e/o scoloriture alla superficie degli altoparlanti.
 - Oggetti incandescenti (ad esempio candele), poiché possono causare incendi, danni agli altoparlanti e/o lesioni personali.
 - Contenitori di liquidi, poiché possono causare delle scosse elettriche all'utente e/o danni agli altoparlanti.
- Non disponete gli altoparlanti dove potrebbero essere urtati o colpiti da oggetti in caduta. La stabilità dell'installazione contribuisce, inoltre, a migliorare le prestazioni sonore.
- Il posizionamento degli altoparlanti sulla stessa mensola o ripiano del giradischi può causare una reazione acustica.
- Un posizionamento sicuro è responsabilità dell'utente. La YAMAHA non può essere considerata responsabile di qualsiasi incidente causato da un eventuale improprio posizionamento, o installazione, di questi altoparlanti.
- Nel caso in cui si notino delle distorsioni nel suono, ridurre il volume dell'amplificatore. Evitare sempre che l'amplificatore possa produrre dei "tagli". In caso contrario gli altoparlanti potrebbero subire dei danni.
- Quando si impiega un amplificatore con una corrente d'uscita nominale superiore alla corrente d'ingresso nominale degli altoparlanti, bisogna fare attenzione a non eccedere mai l'ingresso massimo degli altoparlanti.
- Non cercare di pulire gli altoparlanti usando dei solventi chimici, poiché possono danneggiare la rifinitura degli stessi. Usare un panno pulito e asciutto.
- Non cercare di modificare o aggiustare gli altoparlanti. Rivolgersi a del personale di servizio qualificato della YAMAHA se occorrono dei lavori di assistenza tecnica. L'involucro non va mai aperto, per nessun motivo.
- Assicurarvi di leggere la sezione "DIAGNOSTICA" riguardanti i più comuni errori operativi prima di concludere che il sistema è guasto.

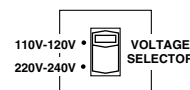
Per il modello YST-SW005

- Non usare quest'unità a capovolta. Altrimenti si può surriscaldare e si possono verificare dei danni.
- Non usare eccessiva forza sugli interruttori, controlli o cavi di connessione. Quando di deve spostare quest'unità, scollegare prima la spina d'alimentazione ed i cavi collegati agli altri componenti. Non tirare mai i fili.
- Poiché quest'unità è stata dotata di un amplificatore di potenza incorporato, il calore irradia dal pannello posteriore. Posizionare l'unità staccata dalla parete, lasciando uno spazio sufficiente sopra, dietro e ai lati dell'unità per prevenire incendi o danni. Inoltre, non posizionare la stessa con il pannello posteriore rivolto verso il basso sul pavimento o su altre superfici.

<Per i modelli destinati al Regno Unito o all'Europa>

Ricordarsi di lasciare uno spazio di almeno 20 cm al disopra, dietro e sui lati dell'apparecchio.

- Se utilizzate un umidificatore, assicuratevi di evitare la formazione di condensa nell'apparecchio lasciando uno spazio sufficiente intorno all'apparecchio o evitando una umidificazione eccessiva. La condensa potrebbe causare un incendio, danneggiare l'apparecchio, o provocare scosse elettriche.
- Non coprire il pannello posteriore di quest'unità con un giornale, una tovaglia, una tenda, ecc. per non impedire l'irradiazione del calore. Se aumenta la temperatura all'interno dell'unità, si può verificare un incendio, danni materiali all'unità e/o lesioni personali.
- Non collegare quest'unità ad una presa murale prima di aver completato tutti i collegamenti.
- La tensione da usare deve essere la stessa indicata nel pannello posteriore. L'uso di questa unità con una tensione superiore rispetto a quella specificata è pericoloso e può causare incendi, danni all'apparecchiatura e/o lesioni personali. La YAMAHA non sarà ritenuta responsabile per eventuali danni dovuti all'utilizzo di quest'unità con una tensione diversa da quella specificata.
- Durante temporali, staccare il cavo di alimentazione per evitare che eventuali fulmini danneggino l'apparecchio.
- Le frequenze ultrabasse riprodotte da questo altoparlante possono interferire con il funzionamento di un giradischi, causando un rumore simile ad un ululato. In tali casi si consiglia di allontanare quanto più è possibile questo apparecchio ed il giradischi.
- Quest'unità può essere danneggiata se certi suoni vengono emessi continuamente ad un alto volume. Per esempio, se sono emesse continuamente onde seno da 20 Hz-50 Hz da un disco di prova, oppure i bassi provenienti dagli strumenti musicali elettronici, o quando la puntina del giradischi viene in contatto con il disco, dovere diminuire il livello del volume per prevenire eventuali danni a quest'unità.
- Se si suoni distorti provenienti da quest'apparecchio (es. suoni intermittenti "picchiettanti" o "martellanti" che non sono naturali), abbassare il livello del volume. Suonare ad un livello di volume troppo alto le basse frequenze delle colonne sonore dei film, i suoni bassi-intensi o, analogamente, i passaggi forti della musica in voga, può danneggiare questo sistema altoparlante.
- Le vibrazioni generate dalle frequenze super-bass possono causare delle distorsioni nelle immagini televisive. In tal caso, allontanare l'unità dal televisore.
- Per scollegare il cavo d'alimentazione dalla presa murale, bisogna agire per la spina e mai per il cavo stesso.
- Se si prevede di non usare l'apparecchio per qualche tempo (ad esempio per una vacanza), staccare la spina di alimentazione dalla presa.
- **VOLTAGE SELECTOR (Selettore del voltaggio)**
(Per i modelli destinati alla Cina, a Corea ed i modelli generali)
Il selettore del voltaggio posto sul retro di quest'unità deve essere impostato per il voltaggio principale locale PRIMA di collegare quest'unità al sistema d'alimentazione CA.
Il voltaggio ammesso è
110-120/220-240 V CA, 50/60 Hz.



Modo d'attesa

Se si posiziona l'interruttore POWER su ON e il selettore AUTO STANDBY viene posizionato nella posizione HIGH o LOW, quest'unità entra nel modo d'attesa se non viene ricevuto nessun segnale da quest'unità per 7-8 minuti.
In questo stato, l'unità consuma una minima quantità di corrente.

AVVERTIMENTO

PER RIDURRE IL RISCHIO DI INCENDIO O SCOSSE ELETTRICHE, NON ESPORRE MAI QUEST'UNITÀ ALLA PIOGGIA O ALL'UMIDITÀ.

COMPONENTI INCLUSI NEL PACCHETTO

Il pacchetto degli altoparlanti "NS-P230" e "NS-P236" è stato disegnato per l'utilizzo in un sistema audio multicanali, ad esempio un sistema Home Theater.

NS-P230 include quattro altoparlanti NX-230P, un altoparlante NX-C230 ed un subwoofer YST-SW005.

NS-P236 include cinque altoparlanti NX-230P, un altoparlante NX-C230 ed un subwoofer YST-SW005.

<NX-230P>

Sistema di altoparlanti a piena gamma acustica di sospensione usato come altoparlanti principali e posteriori (e altoparlante posteriore centrale del modello NS-P236)

<NX-C230>

Sistema di altoparlanti a piena gamma acustica di sospensione usato per l'altoparlante centrale

<YST-SW005>

Sistema Subwoofer di elaborazione servoassistita attiva dotato di un amplificatore di potenza incorporato

- Questo sistema subwoofer impiega l'avanzata tecnologia YAMAHA servoassistita ed attiva sviluppato dalla YAMAHA per la riproduzione di suoni super-bassi di qualità molto alta. (Fare riferimento alla pagina 14 per ulteriori informazioni sulla tecnologia YAMAHA servoassistita ed attiva.) Questo suono super-bassi aggiunge un effetto più realistico, come dal vivo, del vostro sistema stereo.
- Questo subwoofer può essere aggiunto facilmente al vostro sistema audio collegando i terminali degli altoparlanti o i terminali d'uscita di linea (presa pin) dell'amplificatore.
- L'interruttore AUTO STANDBY vi risparmia il fastidio di dover collocare l'interruttore POWER su ON o OFF.

INDICE

DISIMBALLAGGIO	All'interno della copertina anteriore
AVVERTENZA	1
COMPONENTI INCLUSI NEL PACCHETTO	2
INSTALLAZIONE DEGLI ALTOPARLANTI	3
Pozizionamento del subwoofer	4
Pozizionamento dell'altoparlante centrale	4
Installazione degli altoparlanti posteriori (e dell'altoparlante posteriore centrale del modello NS-P236)	5
Pozizionamento degli altoparlanti principali/posteriori (e dell'altoparlante posteriore centrale del modello NS-P236)	6

COLLEGAMENTI	7
Un esempio di collegamenti di base	7
Collegamento dei cavi degli altoparlanti ai terminali d'entrata e d'uscita degli altoparlanti	9
Collegamento del subwoofer ai terminali di uscita per altoparlanti dell'amplificatore	10
USO DEL SUBWOOFER (YST-SW005)	11
Ubicazione dei comandi e loro funzionamento	11
Regolazioni del subwoofer prima dell'uso	12
Caratteristiche della frequenza	13
ADVANCED YAMAHA ACTIVE SERVO TECHNOLOGY (per l'YST-SW005)	14
DIAGNOSTICA	15
DATI TECNICI	16

INSTALLAZIONE DEGLI ALTOPARLANTI

Prima di effettuare i collegamenti, posizionare tutti gli altoparlanti del sistema nelle rispettive appropriate posizioni. Il posizionamento degli altoparlanti è assai importante perché da ciò dipende la qualità sonora dell'intero sistema. Posizionare gli altoparlanti in relazione alla propria posizione di ascolto, seguendo le istruzioni sotto.

Configurazione degli altoparlanti

<NS-P230>

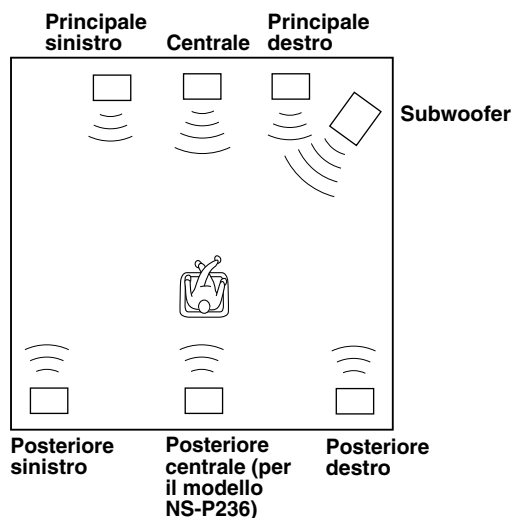
Questo gruppo di altoparlanti utilizza una configurazione a 6 altoparlanti: 2 altoparlanti principali, 2 altoparlanti posteriori, un altoparlante centrale ed un subwoofer. Gli altoparlanti principali vengono usati per l'emissione del suono della sorgente principale. Gli altoparlanti posteriori sono utilizzati per l'emissione dei suoni di effetto e avvolgenti. L'altoparlante centrale, infine, viene usato per l'emissione del sonoro centrale (dialogo). Il subwoofer serve a rinforzare le basse frequenze dell'intero sistema audio.

<NS-P236>

Questo gruppo di altoparlanti utilizza una configurazione a 7 altoparlanti: 2 altoparlanti principali, 2 altoparlanti posteriori, un altoparlante centrale, un altoparlante posteriore centrale ed un subwoofer. Gli altoparlanti principali vengono usati per l'emissione del suono della sorgente principale. Gli altoparlanti posteriori e posteriore centrale sono utilizzati per l'emissione dei suoni di effetto e avvolgenti. L'altoparlante centrale, infine, viene usato per l'emissione del sonoro centrale (dialogo, o altro). Il subwoofer serve a rinforzare le basse frequenze dell'intero sistema audio.

Nota

In questo pacchetto d'altoparlanti, gli stessi altoparlanti (NX-230P) sono usati come altoparlanti principali e posteriori (e centrale posteriore per il modello NS-P236).



Ubicazione degli altoparlanti

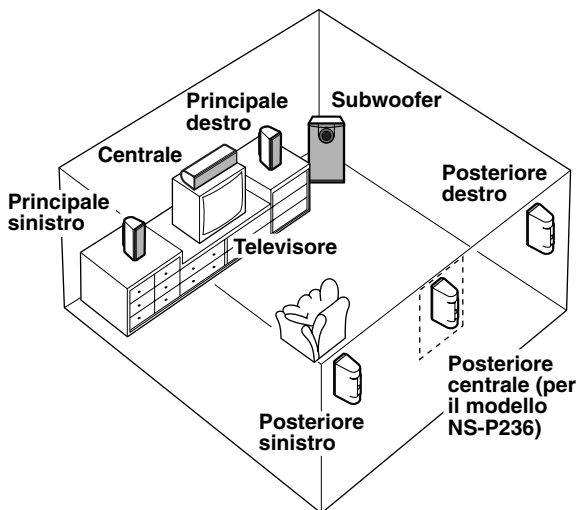
Altoparlanti principali: Ai due lati e quasi alla stessa altezza del televisore.

Altoparlanti posteriori: Dietro la posizione d'ascolto, leggermente rivolti verso l'interno. Circa 1,8 m (circa 6 piedi) dal pavimento.

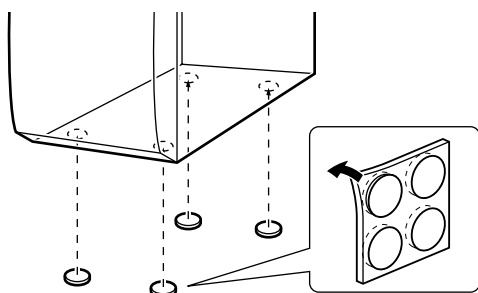
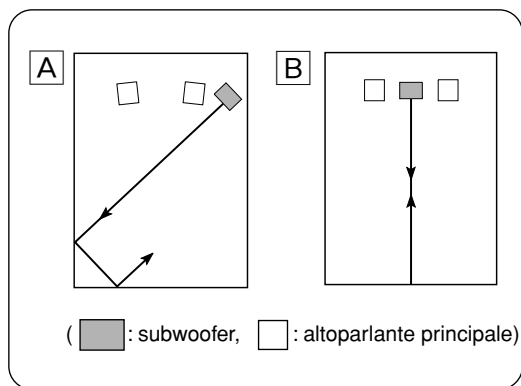
Altoparlante centrale: Esattamente tra gli altoparlanti principali.

Altoparlante posteriore centrale (per il modello NS-P236): Esattamente al centro tra gli altoparlanti posteriori.

Subwoofer: La posizione del subwoofer non è critica perché i suoni bassi non sono particolarmente direzionali. Per il tipo di posizionamento consigliato per il subwoofer vedere il paragrafo seguente "Posizionamento del subwoofer".



■ Posizionamento del subwoofer



Si consiglia di posizionare il subwoofer sul lato esterno di uno dei due altoparlanti principali, sinistro o destro. (Vedere la fig. [A].) Il posizionamento indicato nella fig. [B] è anche possibile, ma è necessario verificare che il subwoofer non si trovi in posizione esattamente parallela rispetto alla parete opposta, perché in questo caso l'effetto dei superbassi potrebbe scomparire a causa dell'annullamento reciproco fra le onde emesse dall'altoparlante e quelle riflesse dalla parete stessa. Per prevenire questo problema si consiglia di posizionare sempre l'altoparlante in un angolo, come indicato nella fig. [A].

Nota

In certi casi può non essere possibile ottenere suoni superbassi sufficienti dal subwoofer quando si ascolta il suono riprodotto stando al centro della stanza. Ci è dovuto al fatto che le "onde stazionarie" che si creano fra due pareti parallele cancellano i suoni bassi.

In questo caso la soluzione consiste nel posizionare il subwoofer obliquamente rispetto alle pareti. Può anche essere utile piazzare librerie, o mobili, decc., lungo le pareti per interrompere il parallelismo delle superfici.

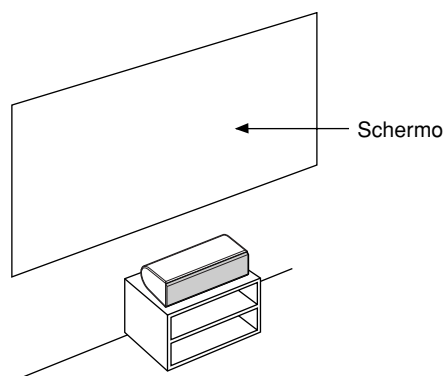
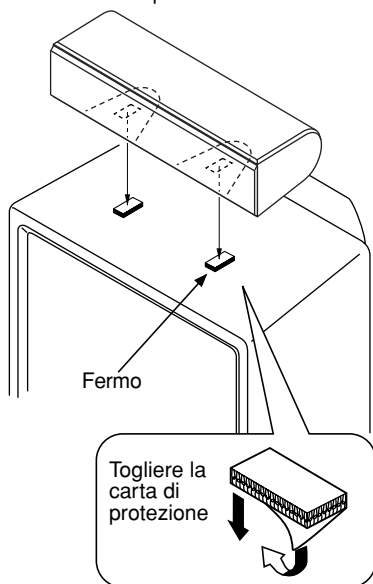
Come usare i piedini antisdrucchiolevoli

Applicare i piedini antisdrucchiolevoli ai quattro angoli alla base del subwoofer per evitare che si sposti a causa di vibrazioni, ecc.

■ Posizionamento dell'altoparlante centrale

È possibile posizionare l'altoparlante sopra il televisore se la parte superiore dello stesso è piana, sul pavimento sotto il televisore o all'interno del mobile TV. Assicurarsi di installare l'altoparlante in una posizione stabile.

Quando si posiziona l'altoparlante sopra il televisore, bisogna fissare i due fermi nella parte inferiore dell'altoparlante e sopra il televisore, per prevenire l'eventuale caduta dell'altoparlante.

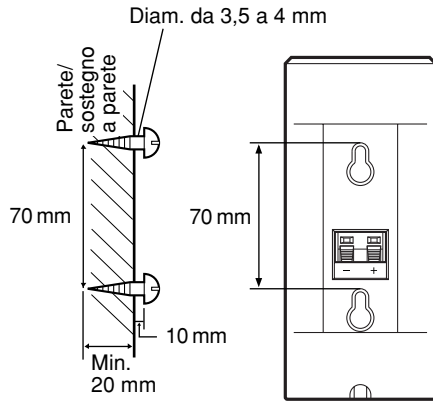


Note

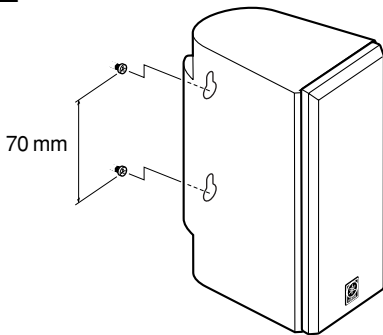
- Non posizionare l'altoparlante sopra un televisore il cui area è inferiore rispetto alla parte inferiore dell'altoparlante. Altrimenti, l'altoparlante può cadere e causare lesioni alle persone.
- Non posizionare l'altoparlante sopra un televisore, se la parte superiore di quest'ultimo è inclinata.
- Non toccare la superficie adesiva dopo aver rimosso la carta di protezione, altrimenti sarà ridotta la sua forza adesiva.
- Strofinare la superficie bene nel posto dove intendere applicare l'unità di fissaggio. Osservare che la forza adesiva viene ridotta se la superficie è sporca, unta o bagnata e questo può causare la caduta dell'altoparlante centrale.

■ Installazione degli altoparlanti posteriori (e dell'altoparlante posteriore centrale del modello NS-P236)

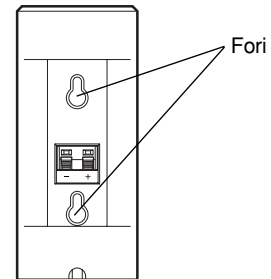
1 Vite filettante (venduto in ferramenta)



2



Gli altoparlanti posteriori e posteriore centrale del NS-P236 possono essere posizionati direttamente sul pavimento, o su uno scaffale, o venire appesi alla parete.



Montaggio degli altoparlanti sul muro usando i fori sul retro degli altoparlanti

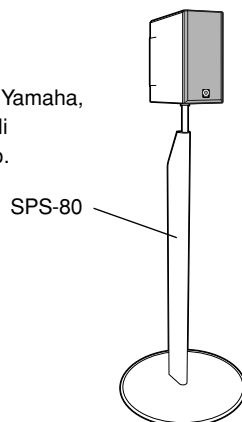
- 1 Inserire le viti sul muro o su un sostegno sul muro come è mostrato in figura.
- 2 Appendere l'altoparlante montando i fori sulle viti sporgenti.
* Assicurarsi che le viti siano inserite nella parte più stretta dei fori.

AVVERTENZE

- Ciascuno degli altoparlanti pesa circa 0,9 kg. Non montarli quindi su pareti di compensato sottile, o su pareti di materiale soffice. In caso di montaggio su pareti di questo genere, le viti potrebbero scivolare fuori dalla superficie e gli altoparlanti potrebbero quindi cadere, con conseguenti possibili danni agli altoparlanti stessi o lesioni fisiche alle persone.
- Non installare gli altoparlanti alla parete con chiodi, adesivi, o altri materiali non rigidi. L'uso prolungato e le conseguenti vibrazioni possono infatti avere come conseguenza la caduta degli altoparlanti.
- Per evitare incidenti risultanti dall'inciampare nei cavi degli altoparlanti lasciati liberi, si consiglia di fissarli adeguatamente alla parete.
- Scegliere sulla parete una posizione adeguata al montaggio dell'altoparlante e della staffa, in modo da evitare possibili lesioni derivanti dall'urto della testa o del viso contro gli spigoli della staffa.

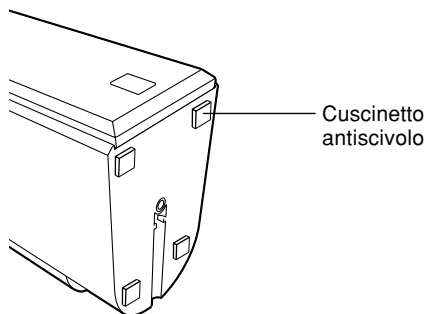
Usando il cavalletto per altoparlanti SPS-80 della Yamaha (opzione)

Usando il cavalletto per altoparlanti SPS-80 della Yamaha, è possibile posizionare gli altoparlanti sul pavimento.



* Il modello SPS-80 non è disponibile in certe aree.

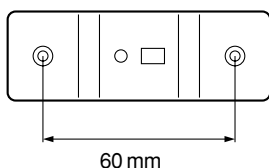
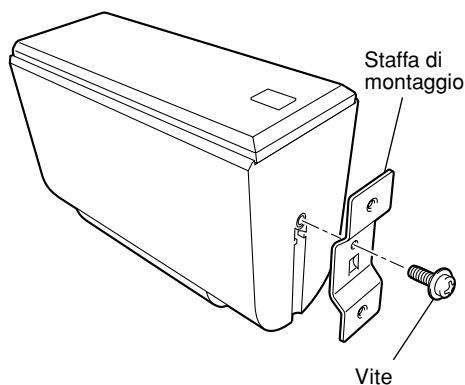
■ Pozizionamento degli altoparlanti principali/posteriori (e dell'altoparlante posteriore centrale del modello NS-P236)



Per installare gli altoparlante su una superficie piana, fissare i cuscinetti antiscivolo in dotazione agli angoli in basso negli altoparlanti, come nell'illustrazione a sinistra. Servono per prevenire lo slittamento degli altoparlanti.

* Per il modello NS-P236, i cuscinetti antiscivolo comprendono anche quattro cuscinetti di riserva.

Se si desidera montare un altoparlante su un cavalletto venduto separatamente per altoparlanti principali/posteriori (e per l'altoparlante posteriore centrale del modello NS-P236)



La staffa di montaggio in dotazione che reca un paio di fori per viti (ad una distanza di 60 mm l'uno dall'altro) può essere usata per montare l'altoparlante su un cavalletto per altoparlanti.

* Questi fori per viti possono essere usati solo con viti M4.

- 1** Fissare la staffa nella parte inferiore dell'altoparlante usando la vite in dotazione in modo tale che la parte convessa della staffa entri nella parte a fessura dell'altoparlante, com'è indicato qui a sinistra.
- 2** Montare l'altoparlante sul cavalletto dell'altoparlante usando i fori per viti sulla staffa.

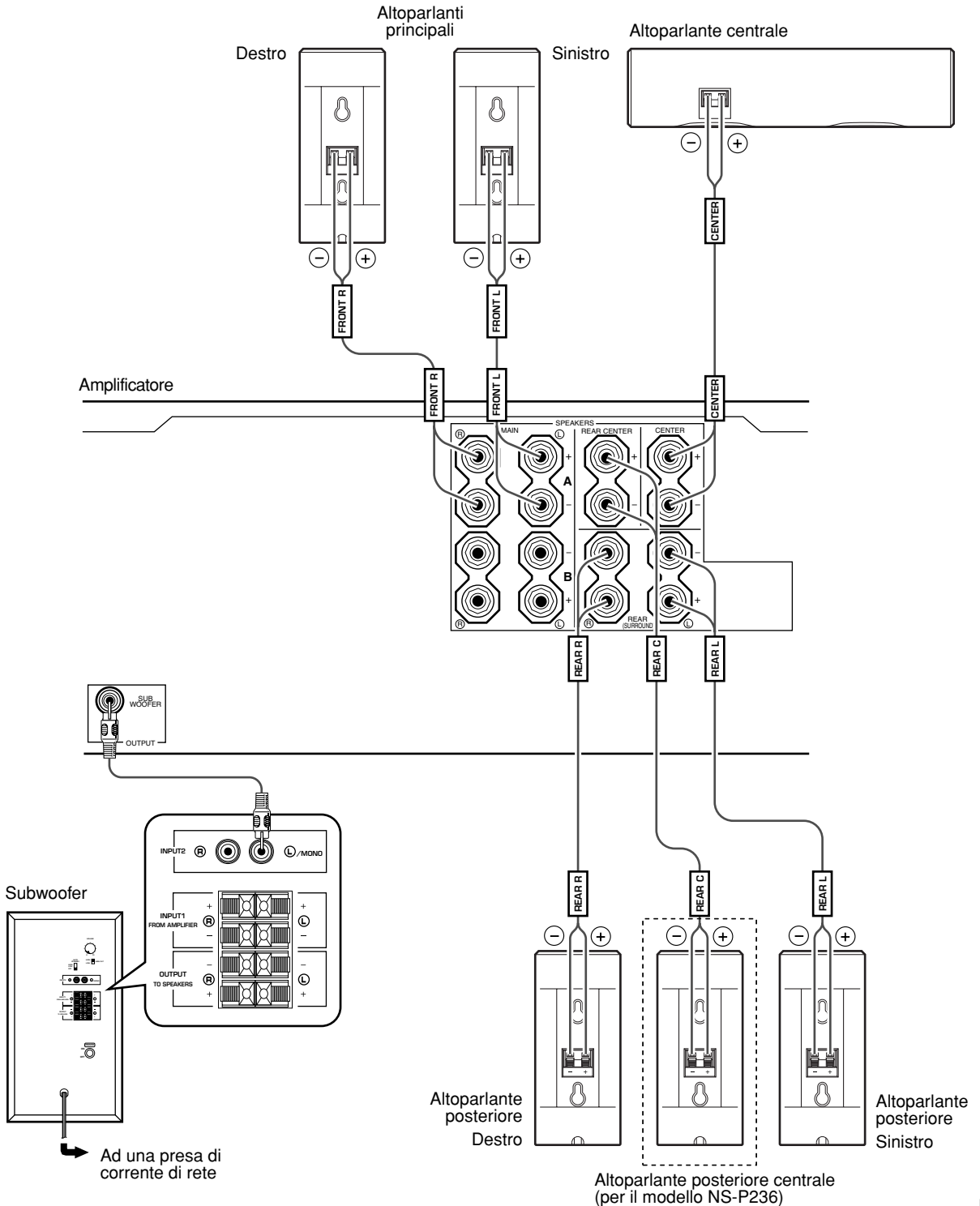
Nota

La staffa di montaggio è fornita per ogni altoparlante.

COLLEGAMENTI

Attenzione: Prima di inserire la spina del cavo di alimentazione del subwoofer e degli altri componenti audio e video nella presa di corrente alternata di rete è assolutamente necessario che siano stati completati tutti i collegamenti.

■ Un esempio di collegamenti di base



- Collegare gli altoparlanti principali, centrale e posteriori (e l'altoparlante posteriore centrale del modello NS-P236) ai terminali d'uscita degli altoparlanti del vostro amplificatore servendovi dei cavi per altoparlanti in dotazione.
 - * I cavi degli altoparlanti in dotazione recano etichette marcare FRONT L (anteriore sinistro), FRONT R (anteriore destro), CENTER (centrale), REAR L (posteriore sinistro), REAR R (posteriore destro) (e REAR C (posteriore centrale) per il modello NS-P236). Collegare ciascun cavo dell'altoparlante all'altoparlante corrispondente seguendo l'illustrazione alla pagina 7.
 - * Collegare gli altoparlanti facendo attenzione a non invertire le polarità (+ e -). Nel caso che l'altoparlante venga collegato con le polarità invertite, il suono risulterà innaturale e senza bassi.
 - * Solo per gli altoparlanti principali e posteriori, collegare uno degli altoparlanti al terminale sinistro (L) dell'amplificatore e l'altro al terminale destro (R).
- Fondamentalmente bisogna collegare il subwoofer al terminale d'uscita di linea (presa pin) dell'amplificatore. Se l'amplificatore non è stato dotato di un terminale d'uscita, collegare il subwoofer ai terminali d'uscita altoparlante dell'amplificatore. (Fare riferimento alla pagina 9 per ulteriori informazioni.)
 - * Per effettuare il collegamento di un amplificatore YAMAHA DSP (o un ricevitore AV), collegare il terminale SUBWOOFER (o LOW PASS, ecc.) sul retro dell'amplificatore DSP (o sul ricevitore AV) al terminale Ⓛ/MONO INPUT2 del subwoofer.
 - * Per collegare il subwoofer ai terminali SPLIT SUBWOOFER sul retro dell'amplificatore DSP, collegateli ai terminali INPUT2 sinistro Ⓛ e destro Ⓜ del subwoofer.

Nota

Per effettuare il collegamento di un terminale d'uscita di linea monofonica dell'amplificatore, dovete servirvi del terminale Ⓛ/MONO INPUT2.

■ Collegamento dei cavi degli altoparlanti ai terminali d'entrata e d'uscita degli altoparlanti

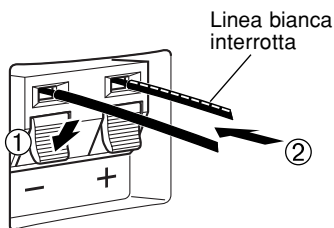
Per effettuare i collegamenti, i cavi degli altoparlanti devono essere il più corti possibili. Non raggruppare o arrotolare la parte in eccesso dei cavi. Se i collegamenti sono difettosi, non verrà riprodotto nessun suono attraverso gli altoparlanti.

Altoparlanti principali/centrale/posteriori Altoparlante posteriore centrale (per il modello NS-P236)

Un capo del cavo di alimentazione altoparlante ha una linea bianca tratteggiata e l'altro capo non ha nessuna linea. Collegare i terminali (+) che si trovano su altoparlante e su amplificatore utilizzando il capo con la linea bianca tratteggiata. Collegare i terminali (-) a entrambi i componenti utilizzando il capo senza nessuna linea.

Rosso: positivo (+)

Nero: negativo (-)

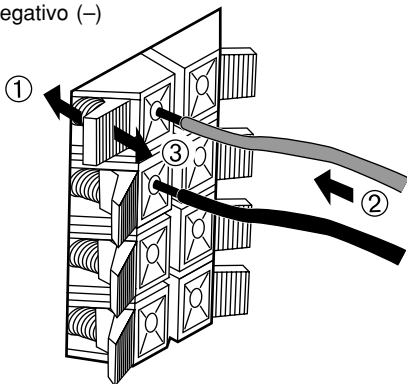


Subwoofer (terminali INPUT1/OUTPUT)

Collegare i terminali (+) nel subwoofer e nell'amplificatore usando un lato del cavo. Collegare i terminali (-) di ambedue i componenti usando l'altro lato del cavo.

Rosso: positivo (+)

Nero: negativo (-)



Prima di effettuare il collegamento

Rimuovere il rivestimento isolante all'estremità di ciascun cavo dell'altoparlante attorcigliandolo.

Corretto Errato



Per effettuare il collegamento:

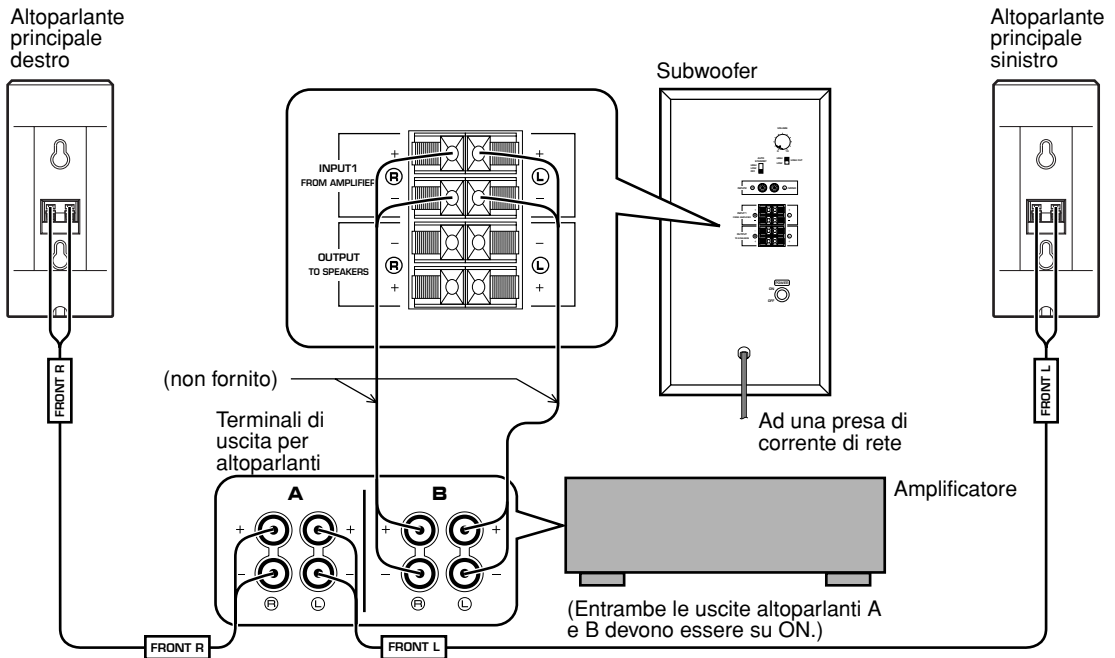
- ① Premere e tenere premuta la linguetta del terminale, come in figura.
- ② Inserire il filo esposto.
- ③ Togliere il dito dalla linguetta affinché si blocchi nell'estremità del filo esposto del cavo.
- ④ Controllare che il collegamento è ben saldo tirando leggermente il cavo al terminale.

Nota

Evitare assolutamente che i cavi messi a nudo vengano a contatto fra loro perché ciò potrebbe causare danni all'altoparlante o all'amplificatore, o ad entrambi.

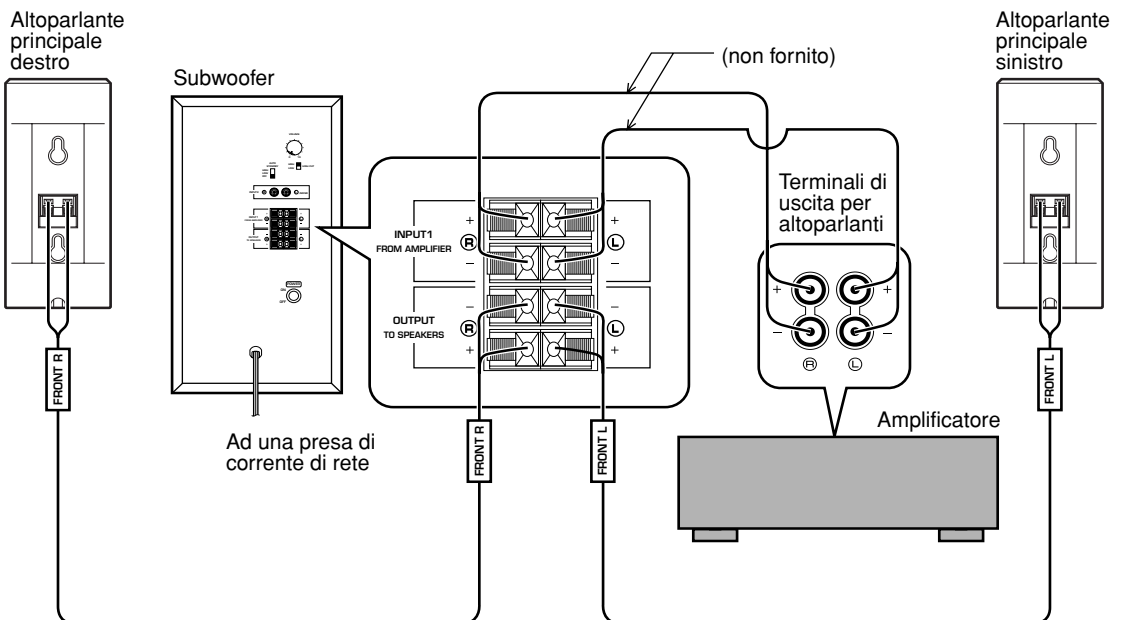
■ Collegamento del subwoofer ai terminali di uscita per altoparlanti dell'amplificatore

Se l'amplificatore ha due gruppi di terminali di uscita per altoparlanti



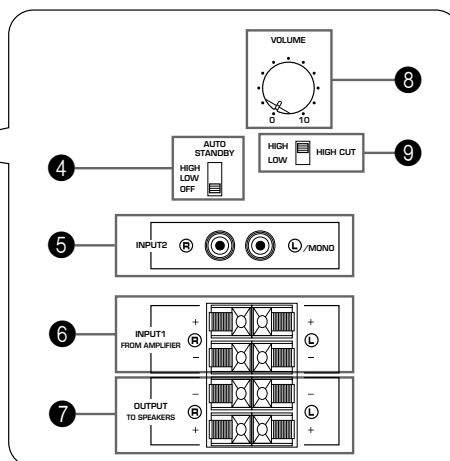
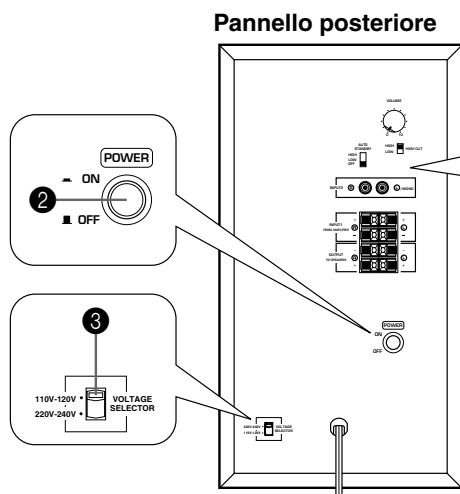
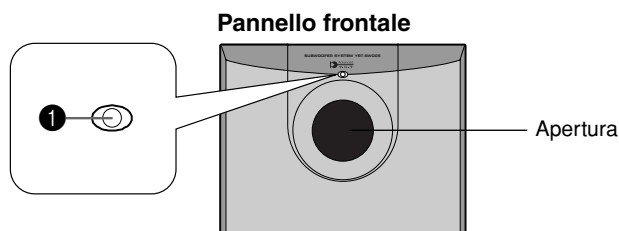
Se l'amplificatore dispone di un solo gruppo di terminali di uscita per gli altoparlanti principali

Collegare i terminali di uscita per gli altoparlanti dell'amplificatore ai terminali INPUT1 del subwoofer, e collegare i terminali OUTPUT del subwoofer agli altoparlanti principali.



USO DEL SUBWOOFER (YST-SW005)

■ Ubicazione dei comandi e loro funzionamento



- 1** Indicazione di accensione
Si illumina in verde se l'interruttore **POWER** (2) viene premuto sulla posizione ON, e si spegne quando viene ripremuto l'interruttore su OFF.

* Modalità di attesa

Se si lascia l'interruttore **POWER** (2) acceso su ON, e si porta l'interruttore **AUTO STANDBY** (4) su una delle due posizioni HIGH o LOW, questa indicazione si illumina in rosso se non vi sono segnali ricevuti dal subwoofer.

- 2** Interruttore di accensione **POWER**
Per accendere il subwoofer premere questo interruttore sulla posizione ON. A subwoofer acceso, l'indicazione (1) che si trova sul pannello frontale si illumina in verde. Per impostare nuovamente il subwoofer, premete questo interruttore su OFF.

- 3** Selettore di voltaggio (**VOLTAGE SELECTOR**)
(Per i modelli destinati alla Cina, a Corea ed i modelli generali)
Se il selettore non è impostato sulla gamma di valori di tensione di rete elettrica appropriata alla località in cui si va ad usare l'apparecchio, spostarlo sulla gamma di valori di tensione di rete elettrica appropriata (220V-240V o 110V-120V).

Se non si è sicuri riguardo la corretta impostazione, chiedere consiglio al rivenditore di fiducia.

AVVERTENZA

Prima di cambiare per correggere l'impostazione del VOLTAGE SELECTOR, bisogna disinserire la spina del cavo di alimentazione di rete del subwoofer.

- 4** Interruttore per attivazione e disattivazione automatica **AUTO STANDBY (HIGH/LOW/OFF)**
Questo interruttore è originariamente impostato su OFF.

Posizionando quest'interruttore nella posizione HIGH o LOW, la funzione di commutazione automatica della corrente funziona come viene descritto a pagina 9. Se non si vuole far uso di questa funzione, disporre l'interruttore sulla posizione OFF (disinserito).

* La posizione di questo interruttore deve essere modificata solamente l'interruttore **POWER** (2) è in posizione OFF. Modalità di attesa Il subwoofer consuma una piccola quantità di corrente in questa modalità.

- 5** Terminali di ingresso 2 **INPUT2**
Usati per l'ingresso dei segnali di livello in linea dall'amplificatore.
- 6** Terminali di ingresso dall'amplificatore **INPUT1 (FROM AMPLIFIER)**
Usarli per collegare il subwoofer ai terminali altoparlanti dell'amplificatore.
- 7** Terminali di uscita agli altoparlanti **OUTPUT (TO SPEAKERS)**
Possono essere usati per il collegamento agli altoparlanti principali. Il segnale dei terminali **INPUT1** (6) sono inviati a questo terminale.
- 8** Comando del volume **VOLUME**
Serve a regolare il livello del volume. Girare il controllo in senso orario per aumentare il volume o in senso antiorario per diminuire il volume.
- 9** Interruttore **HIGH CUT (HIGH/LOW)**
Seleziona il punto di eliminazione delle alte frequenze. Normalmente viene impostato su LOW, ma si può impostare HIGH se necessario. Vedere alle pagg 12 e 13.

Funzione di attivazione e disattivazione automatica

Se la fonte che riproducete viene fermata e il segnale d'entrata viene tagliato per 7–8 minuti, il subwoofer passa automaticamente alla modalità di attesa. (Quando il subwoofer entra nel modo di attesa tramite la funzione di commutazione automatica della corrente, l'indicatore di accensione si illumina di rosso.)

Quando riproducete di nuovo una fonte, la corrente del subwoofer si accende automaticamente attraverso la sensibilizzazione dei segnali audio d'entrata diretti al subwoofer.

Questa funzione rivela un certo livello di basse frequenze nel segnale di ingresso. Lasciare normalmente l'interruttore **AUTO STANDBY** nella posizione LOW. Tuttavia, se l'alimentazione non viene portata su ON o STANDBY in modo graduale, portare l'interruttore sulla posizione HIGH.

Se si sceglie la posizione HIGH, l'apparecchio si accende anche ad un livello del segnale di ingresso molto basso. Tuttavia il subwoofer potrebbe non ritornare alla posizione di attesa se il segnale di ingresso è estremamente basso.

* Il subwoofer può accendersi inaspettatamente, percependo segnali in interferenza provenienti da altre apparecchiature elettriche. Ove si ritenga possibile il verificarsi di tali situazioni, portare l'interruttore **AUTO STANDBY** sulla posizione OFF e utilizzare l'interruttore **POWER** per accendere la corrente tra ON e OFF manualmente.

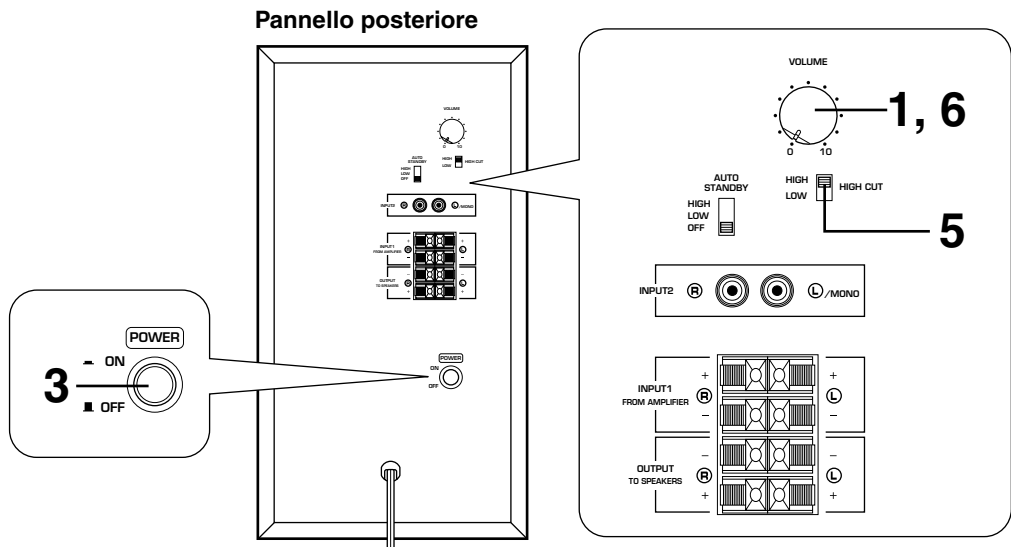
* Questa funzione rivela i componenti a bassa frequenza al di sotto dei 200 Hz dei segnali d'entrata (Es. Un esplosione in un film d'azione, il suono del basso o della batteria, ecc.).

* I minuti richiesti per accendere il subwoofer nella modalità d'attesa possono cambiare a causa di percezioni da altre applicazioni.

Questa funzione è disponibile solamente se il subwoofer è acceso (cio è premendo l'interruttore POWER).

■ Regolazioni del subwoofer prima dell'uso

Prima di usare il subwoofer, regolare il subwoofer per ottenere il volume e il bilanciamento del tono ottimali tra il subwoofer e gli altoparlanti principali, seguendo le procedure qui sotto.



- 1 Portare il comando **VOLUME** al minimo (0).
- 2 Accendere tutti gli altri componenti.
- 3 Premete l'interruttore **POWER** su ON.
 - * L'indicatore di accensione sul pannello frontale diventa verde.
- 4 Riproducete una fonte contenente dei componenti di bassa frequenza e regolate il controllo del volume dell'amplificatore al livello di ascolto desiderato.
- 5 Collocate l'interruttore **HIGH CUT** nella posizione LOW o HIGH.

Questo subwoofer è stato disegnato in modo tale da ottenere il bilanciamento ottimale del tono tra il subwoofer e gli altoparlanti principali quando è su LOW quest'interruttore. Tuttavia, il bilanciamento può cambiare a seconda della grandezza della stanza e dalla distanza dal subwoofer agli altoparlanti principali, ecc. Se necessario, commutate alla posizione HIGH.

- 6 Alzare gradualmente il volume per regolare il bilanciamento fra i suoni emessi da questo subwoofer ed i suoni emessi dagli altoparlanti principali.

Normalmente, impostate il controllo al livello in cui si può ottenere un maggiore effetto dei bassi rispetto a quando non è usata quest'unità. Se non è possibile ottenere la risposta desiderata, regolate nuovamente l'interruttore **HIGH CUT** e il controllo **VOLUME**.

- Una volta terminata la regolazione del bilanciamento del volume fra il subwoofer e gli altoparlanti principali, si potrà nuovamente procedere a regolare l'insieme generale del volume, agendo sui comandi dell'amplificatore per il comando del volume. **Notare che, se si sostituiscono gli altoparlanti principali (NX-230P) con altri, questa regolazione deve essere effettuata di nuovo.**
- Per la regolazione del controllo **VOLUME** e dell'interruttore **HIGH CUT** fate riferimento alla sezione "Caratteristiche della frequenza" qui sotto.

■ Caratteristiche della frequenza

Fig. 1 Visualizza le caratteristiche della frequenza del subwoofer con ciascuna posizione (HIGH/LOW) dell'interruttore **HIGH CUT**.

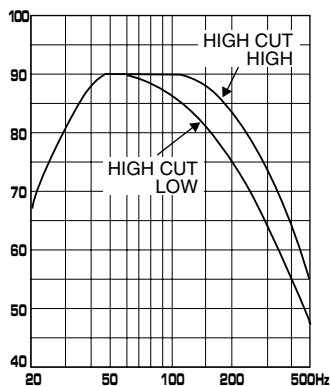


Fig. 1

Fig. 2 Visualizza il livello ottimale del volume con l'interruttore **HIGH CUT** nella posizione HIGH e le caratteristiche della frequenza quando il subwoofer è combinato con una sospensione acustica tipica da 8 cm o 10 cm, con NX-230P.

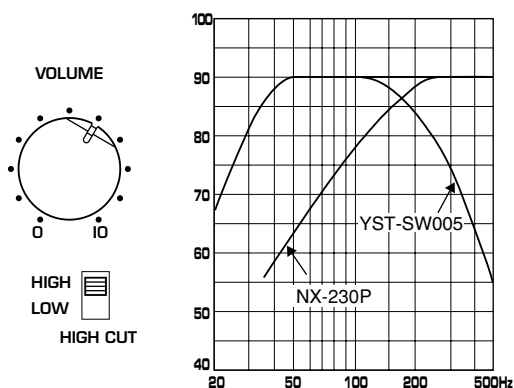


Fig. 2

ADVANCED YAMAHA ACTIVE SERVO TECHNOLOGY (per l'YST-SW005)

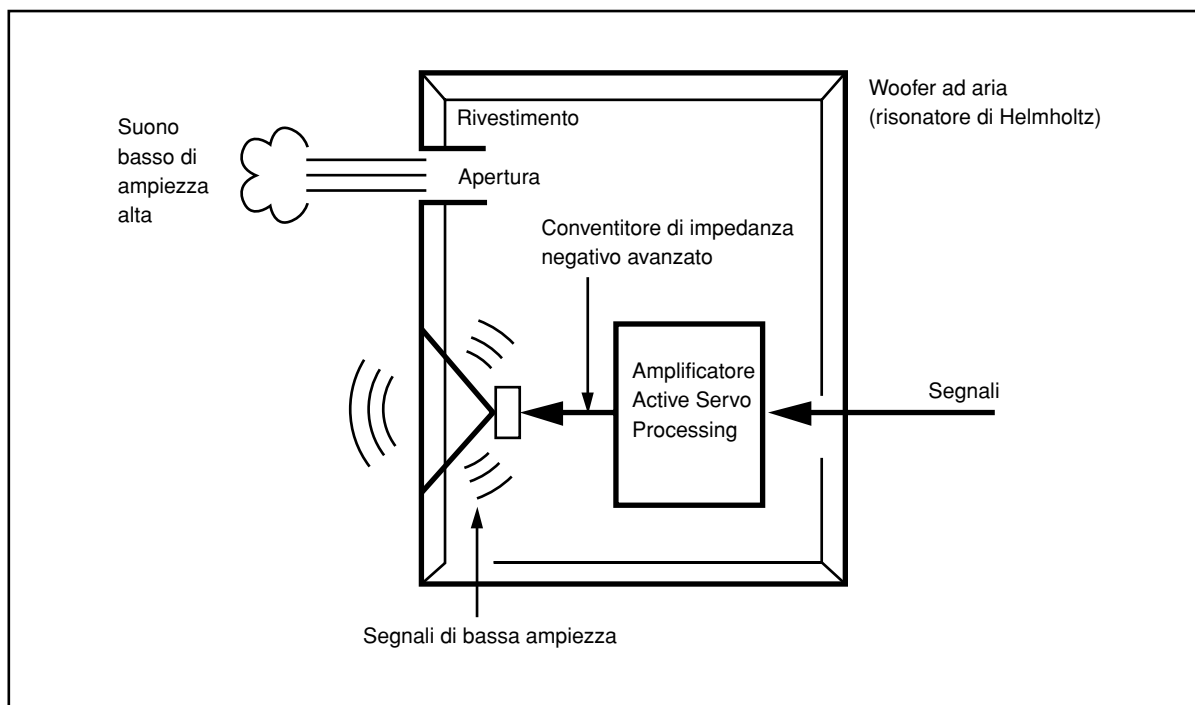
La teoria del sistema Yamaha Active Servo Technology (servotecnologia attiva) si basa su due fattori principali, il risonatore di Helmholtz e il drive a impedenza negativa. Gli altoparlanti Active Servo Processing (a servoelaborazione attiva) riproducono le basse frequenze tramite un "woofer ad aria", che è una piccola porta o apertura nel rivestimento degli altoparlanti. Questa apertura viene usata al posto del woofer ed esegue le funzioni di un woofer in un sistema altoparlanti convenzionale. Così, i segnali di bassa ampiezza all'interno del rivestimento possono, secondo la teoria della risonanza di Helmholtz, essere emessi da questa apertura come onde di ampiezza maggiore se le dimensioni dell'apertura e il volume del rivestimento sono nella proporzione corretta per soddisfare un certo rapporto. A questo scopo, inoltre, le ampiezze all'interno del rivestimento devono essere precise e di potenza sufficiente perché esse devono superare il "carico" presentato dall'aria esistente all'interno del rivestimento. Così questo problema viene risolto attraverso l'impiego di un nuovo design in cui l'amplificatore funziona per fornire i segnali.

Se la resistenza elettrica della bobina di altoparlante è ridotta a zero, il movimento dell'altoparlanti diventa lineare rispetto alla tensione di segnale. Per compiere ciò, viene usato un amplificatore speciale con drive di uscita a impedenza negativa per sottrarre l'impedenza di uscita dell'amplificatore.

Impiegando circuiti di drive a impedenza negativa, l'amplificatore è in grado di generare onde di bassa frequenza e bassa ampiezza precise con caratteristiche di smorzamento superiori. Queste onde vengono poi irradiate dall'apertura del rivestimento come segnali ad alta ampiezza. Il sistema può, di conseguenza, impiegando un amplificatore con drive di uscita a impedenza negativa e un rivestimento degli altoparlanti con risonatore di Helmholtz, riprodurre una gamma di frequenze estremamente ampia, con una sorprendente qualità sonora e una minore distorsione.

Le caratteristiche descritte sopra, quindi, sono combinate per costituire la struttura fondamentale del sistema Yamaha convenzionale Active Servo Technology.

La nuova servotecnologia attiva - Advanced Yamaha Active Servo Technology - adotta circuiti a convertitore di impedenza negativa avanzato (ANIC), che permettono al convertitore convenzionale di impedenza negativa di variare dinamicamente per poter selezionare un valore ottimale per la variazione di impedenza diffusori. Con questi nuovi circuiti ANIC, la servotecnologia attiva avanzata Yamaha può fornire prestazioni più stabili e una pressione sonora migliore rispetto alla servotecnologia attiva Yamaha convenzionale, per una riproduzione dei bassi più naturale e dinamica.



DIAGNOSTICA

Se l'apparecchio non funziona correttamente vedere la tabella seguente. Se il problema che si deve risolvere non si trova elencato fra quelli descritti, o se il rimedio suggerito non sembra dare il risultato sperato, staccare il cavo di alimentazione e rivolgersi ad un rivenditore autorizzato YAMAHA o ad un centro assistenza.

Problema	Causa	Rimedio
Nessun suono.	I cavi degli altoparlanti non sono collegati ben a fondo.	Collegarli in maniera sicura.
Il livello del suono è troppo basso.	I cavi degli altoparlanti sono collegati erroneamente.	Collegarli in modo corretto: L (sinistra) a L, R (destra) a R, "+" a "+" e "-" a "-".

Per il modello YST-SW005

Problema	Causa	Rimedio
L'apparecchio non si accende, anche portando l'interruttore POWER sulla posizione ON.	La spina del cavo di alimentazione non è inserita ben a fondo nella presa di corrente.	Collegarla in maniera sicura.
Nessun suono.	Il comando VOLUME si trova a 0.	Ruotare il comando VOLUME tutto a destra in senso orario.
	I cavi degli altoparlanti non sono collegati ben a fondo.	Provvedere.
Il livello del suono è troppo basso.	I cavi degli altoparlanti sono collegati erroneamente.	Collegarli in modo corretto: L (sinistra) a L, R (destra) a R, "+" a "+" e "-" a "-".
	Si sta riproducendo una sorgente sonora con pochi suoni bassi.	Riprodurre una sorgente sonora che contenga basse frequenze. Spostare l'interruttore HIGH CUT sulla posizione "HIGH".
	Il suono è influenzato da onde stazionarie.	Riposizionare il subwoofer o modificare il parallelismo delle superfici, ponendo librerie, mobili, o altro, lungo le pareti della stanza.
Il subwoofer non si attiva automaticamente.	L'interruttore POWER si trova sulla posizione OFF.	Portare l'interruttore POWER sulla posizione ON.
	L'interruttore AUTO STANDBY si trova sulla posizione OFF.	Portare l'interruttore AUTO STANDBY su una delle due posizioni "HIGH" o "LOW".
	Il livello del segnale in ingresso è troppo basso.	Spostare l'interruttore AUTO STANDBY sulla posizione "HIGH".
Il subwoofer non passa al modo di attesa automaticamente.	C'è un'influenza di disturbi generati da apparecchi esterni, ecc.	Allontanare maggiormente il subwoofer da tali dispositivi e/o cambiare la posizione dei cavi altoparlante collegati. In alternativa, spostare l'interruttore AUTO STANDBY sulla posizione "OFF".
	L'interruttore AUTO STANDBY si trova sulla posizione OFF.	Spostare l'interruttore AUTO STANDBY sulla posizione "HIGH".
Il subwoofer passa inaspettatamente alla modalità di attesa.	Il livello del segnale in ingresso è troppo basso.	Spostare l'interruttore AUTO STANDBY sulla posizione "HIGH".
Il subwoofer si accende inaspettatamente.	C'è un'influenza di disturbi generati da apparecchi esterni, ecc.	Allontanare maggiormente il subwoofer da tali dispositivi e/o cambiare la posizione dei cavi altoparlante collegati. In alternativa, spostare l'interruttore AUTO STANDBY sulla posizione "OFF".

DATI TECNICI

■ NX-230P, NX-C230

Tipo Sistema di altoparlanti a piena, gamma acustica di sospensione, tipo con schermatura magnetica

Pilota .. Altoparlante conico a campo completo di 5 mm x 2

Potenza nominale di ingresso 30W

Potenza massima di ingresso 100W

Impedenza 6Ω

Risposta in frequenza

<NX-230P> da 100 Hz a 30 kHz

<NX-C230> da 75 Hz a 30 kHz

Sensibilità 86 dB/2,83V/m

Dimensioni (L x A x P)

<NX-230P> 72 mm x 164 mm x 111 mm

<NX-C230> 300 mm x 72 mm x 110 mm

Peso

<NX-230P> 0,9 kg

<NX-C230> 1,1 kg

■ YST-SW005

Tipo Advanced Yamaha Active Servo Technology tipo con schermatura magnetica

Pilota woofer conico da 16 cm

Uscita amplificatore

Modelli per gli USA e il Canada 55W/5Ω

Altri modelli 50W/5Ω

Risposta in frequenza da 30 Hz a 200 Hz

Alimentazione (a corrente alternata)

Modelli per gli USA e il Canada 120V, 60 Hz

Modelli per la Gran Bretagna e l'Europa 230V, 50 Hz

Modello per l'Australia 240V, 50 Hz

Modelli per la Cina, Corea e modelli generali

..... 110-120/220-240 V, a (commutabili) 50/60 Hz

Consumo 60W
(in modalità di attesa: 0,8W)

Dimensioni (L x A x P) 200 mm x 365 mm x 375 mm

Peso 8,5 kg

* Tutti i dati tecnici sono soggetti a variazioni senza preavviso.

ADVERTENCIA: Leer este manual de instrucciones antes de poner la unidad en funcionamiento.

- Lea cuidadosamente este manual para obtener el mejor rendimiento posible. Manténgalo en un lugar seguro para utilizarlo como referencia en el futuro.
- Instale los altavoces en un lugar fresco, seco y limpio, alejado de ventanas, aparatos que produzcan calor, lugares con muchas vibraciones, polvo, humedad o frío. Evite aparatos que causen ruidos de zumbido (transformadores y motores). Para evitar incendios o descargas eléctricas, no exponga los altavoces a la lluvia o al agua.
- Para proteger la caja de deformación o decoloración, no coloque los altavoces donde queden expuestos a los rayos solares directos o a la humedad excesiva.
- Evite instalar los altavoces dónde puedan caer objetos extraños y/o dónde puedan estar expuestos a gotas o salpicaduras de líquido.
No coloque los siguientes objetos en la parte superior de los altavoces:
 - Otros componentes, ya que podrían causar daños y/o decoloración en la superficie de los altavoces.
 - Objetos encendidos (p. ej.: velas), ya que podría causar un incendio o daños a los altavoces y/o lesiones personales.
 - Recipientes con líquido en su interior, ya que podrían provocar una descarga eléctrica al usuario y/o dañar los altavoces.
- No coloque los altavoces donde estén propensos a ser chocados o golpeados por objetos. Un lugar estable también producirá sonidos mejores.
- Si se instala los altavoces en el mismo estante o mueble que el giradiscos puede provocar una realimentación del sonido.
- La instalación en un lugar seguro es responsabilidad del propietario. YAMAHA no se hace responsable por ningún accidente provocado por una instalación incorrecta de los altavoces.
- Si se nota una distorsión del sonido, baje el control de volumen del amplificador. No permita que su amplificador entre en "corte". Esto puede dañar los altavoces.
- Cuando utilice un amplificador con una potencia de salida nominal más alta que la potencia de entrada nominal de los altavoces, debe tener cuidado para no superar la entrada máxima de los altavoces.
- No limpie los altavoces con disolventes químicos porque podría dañarse el acabado. Utilice para la limpieza un paño limpio y seco.
- No intente modificar ni arreglar los altavoces. Póngase en contacto con el personal del servicio técnico de YAMAHA cuando necesite sus servicios. En ningún caso deberá abrirse la caja.
- No deje de leer la sección "LOCALIZACIÓN DE AVERÍAS" donde se dan consejos sobre los errores de utilización antes de llegar a la conclusión de que los altavoces están averiados.

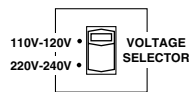
Para el modelo YST-SW005

- No ponga en funcionamiento este equipo cuando se le haya dado la vuelta. Podría sobrecalentarse y posiblemente causar daños.
- No fuerce los interruptores, los controles o los cables de conexión. Cuando mueva esta unidad, desconecte primero el cable de alimentación y los cables conectados a otros equipos. No tire nunca de los cables en sí.
- Este sistema irradia calor por el panel trasero debido a que tiene un amplificador de potencia incorporado. Coloque la unidad separada de paredes, dejando suficiente espacio sobre, detrás, y ambos lados de la misma como para evitar un incendio o daños. Tampoco, se debe colocar con el panel trasero contra el piso o apoyado sobre otras superficies.

<Para modelos en el Reino Unido y Europa>

Asegúrese de que deja una distancia de por lo menos 20 cm, sobre, detrás y a ambos lados de la unidad.

- Cuando utilice un humidificador, asegúrese de evitar la condensación dentro esta unidad dejando suficiente espacio alrededor de esta unidad o evitando el exceso de humidificación. La condensación podría causar un incendio, daños a esta unidad, y/o descarga eléctrica.
- No cubra el panel trasero de la unidad con papel de periódico, un mantel, una cortina, etc. para no obstruir la radiación de calor. Si aumenta la temperatura en el interior de la unidad, podrían originarse un incendio, daños a la unidad y/o lesiones personales.
- No enchufe esta unidad a una toma de pared hasta que se hayan completado todas las conexiones.
- El voltaje a utilizar debe de ser el mismo que el especificado en el panel trasero. La utilización de esta unidad con un voltaje superior al especificado puede causar un incendio, daños a la unidad y/o lesiones personales. YAMAHA no se hará responsable de ningún daño originado del uso de esta unidad con un voltaje diferente al especificado.
- Para evitar daños debidos a relámpagos, desenchufe el cable de la alimentación de CA durante tormentas eléctricas.
- Las frecuencias de ultr Graves generadas por esta unidad pueden hacer que el tocadiscos emita un sonido de aullidos. En este caso, alejar la unidad del tocadiscos.
- La unidad podría ser dañada, si se escucharan continuamente ciertos sonidos en el nivel máximo de volumen. Por ejemplo, si se escuchan ondas sinusoidales de 20 Hz-50 Hz con el disco de prueba, sonidos graves de instrumentos electrónicos, etc.; o cuando la aguja del tocadiscos toque la superficie de un disco, reduzca el nivel de volumen para evitar que se dañe el equipo.
- Si se escuchan sonidos distorsionados (ej. sonidos raros, "golpeteos" o "martillos" intermitentes) provenientes de la unidad, baje el nivel del volumen. Si se reproducen con el volumen alto pistas de sonido de películas de baja frecuencia, sonidos con bajos fuertes o música de similares características se podría dañar el sistema de altavoces.
- La vibración generada por frecuencias ultr Graves podría distorsionar las imágenes de una TV. En este caso, alejar el sistema del televisor.
- Cuando desconecte el cable de alimentación del tomacorriente, agarre el enchufe; no tire del cable.
- Cuando no se va a usar el aparato por un largo tiempo (ej. vacaciones, etc.) desconecte el enchufe de alimentación de CA del tomacorriente.
- **VOLTAGE SELECTOR (Selector de voltaje)**
(Para modelos en China, Corea y modelos generales)
El interruptor del selector de voltaje del panel trasero de la unidad debe fijarse de acuerdo con el voltaje local ANTES de conectar esta unidad al tomacorriente de CA.
La selección de voltajes es para CA de 110-120/220-240 V, 50/60 Hz.



Modo de espera

Si el interruptor POWER está en la posición ON y el interruptor AUTO STANDBY está en la posición HIGH o LOW, esta unidad se conmuta al modo de espera cuando no reciba ninguna señal u en esta unidad durante 7 u 8 minutos.

En este estado, la unidad sigue consumiendo una pequeña cantidad de corriente.

ADVERTENCIA

PARA REDUCIR EL RIESGO DE INCENDIO Y DESCARGA ELÉCTRICA, NO EXPONGA ESTA UNIDAD A LA LLUVIA O A LA HUMEDAD.

COMPONENTES DEL PAQUETE

El paquete de altavoces "NS-P230" y "NS-P236" fue diseñado para utilizarlo en un sistema de audio de múltiples canales, como un sistema de cine en el hogar.

NS-P230 incluye cuatro sistemas de altavoces NX-230P, un sistema de altavoces NX-C230 y un sistema de ultragraves YST-SW005.

NS-P236 incluye cinco sistemas de altavoces NX-230P, un sistema de altavoces NX-C230 y un sistema de ultragraves YST-SW005.

<NX-230P>

Sistema de altavoces de suspensión acústica de alcance completo utilizado para los altavoces principales y traseros (y altavoz central trasero para NS-P236)

<NX-C230>

Sistema de altavoces de suspensión acústica de alcance completo utilizado para el altavoz central

<YST-SW005>

Sistema de altavoces ultragraves Active Servo Processing con amplificador de potencia incorporado

- Este sistema de altavoces ultragraves funciona con la tecnología Advanced YAMAHA Active Servo Technology que YAMAHA ha desarrollado para reproducir sonidos súper graves de alta calidad. (Consulte la página 14 para obtener detalles sobre la tecnología Advanced YAMAHA Active Servo Technology.) Este sonido súper grave añade un efecto más realista de cine en el hogar a su sistema estéreo.
- Este altavoz de ultragraves se puede agregar fácilmente al sistema de audio existente conectándolo a los terminales de altavoces o los terminales de salida de línea (tomas) del amplificador.
- El interruptor de espera (AUTO STANDBY) le ahorra el trabajo de conectar (ON) o desconectar (OFF) el interruptor principal (POWER).

CONTENIDO

DESEMBALAJE	Cara interior de la tapa delantera
ADVERTENCIA	1
COMPONENTES DEL PAQUETE	2
INSTALACION LOS ALTAVOCES	3
Instalación del altavoz de ultragraves	4
Instalación del altavoz central	4
Instalación de los altavoces traseros (y el altavoz central trasero para NS-P236)	5
Instalación de los altavoces principales/ traseros (y el altavoz central trasero para NS-P236)	6

CONEXIONES	7
Un ejemplo de conexiones básicas	7
Conexión de los cables de altavoz a los terminales de entrada y salida de los altavoces	9
Conexión a los terminales de salida altavoz ultragraves del amplificador	10
UTILIZACION DEL ALTAVOZ ULTRAGRAVES (YST-SW005)	11
Controles y otras funciones	11
Ajuste del altavoz de ultragraves antes de utilizarlo	12
Características de frecuencia	13

ADVANCED YAMAHA ACTIVE SERVO TECHNOLOGY (para YST-SW005)	14
LOCALIZACION DE AVERIAS	15
ESPECIFICACIONES	16

INSTALACION LOS ALTAVOCES

Antes de hacer las conexiones, instale todos los altavoces en sus respectivos lugares. Es importante colocar bien los altavoces porque controlan completamente la calidad del sonido de su sistema.

Instale los altavoces según la posición en la que escucha normalmente, siguiendo las instrucciones a continuación.

Configuración de los altavoces

<NS-P230>

Este paquete de altavoces utiliza una configuración de 6 altavoces: 2 altavoces principales, un altavoz central y un altavoz de ultr Graves.

Los altavoces principales emiten la principal fuente de sonido. Los altavoces traseros emiten sonidos surround (paramétricos), y los altavoces centrales emiten sonidos centrales (diálogo, etc.). El altavoz de ultr Graves refuerza las bajas frecuencias de su sistema audio.

<NS-P236>

Este paquete de altavoces se basa en una configuración de 7 altavoces: 2 altavoces principales, 2 altavoces traseros, un altavoz central, un altavoz central trasero y un altavoz de ultr Graves.

Los altavoces principales emiten la principal fuente de sonido. Los altavoces traseros y el central trasero emiten sonidos surround (paramétricos), y los altavoces centrales emiten sonidos centrales (diálogo, etc.). El altavoz de ultr Graves refuerza las bajas frecuencias de su sistema audio.

Nota

En este paquete de altavoces, los mismos altavoces (NX-230P) se utilizan para los altavoces principales y traseros (y altavoz central trasero para NS-P236).

Colocar los altavoces

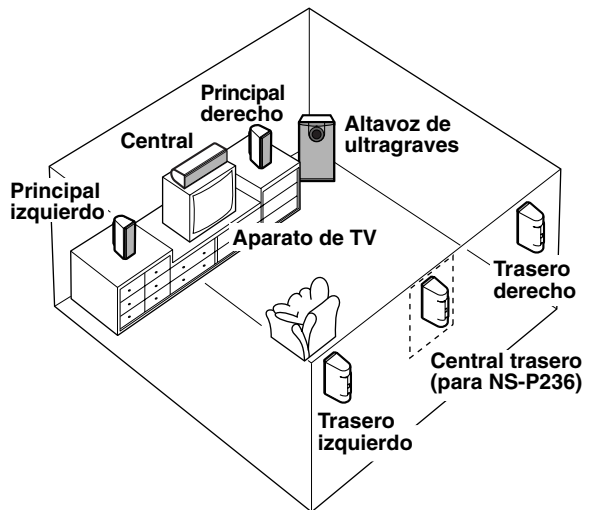
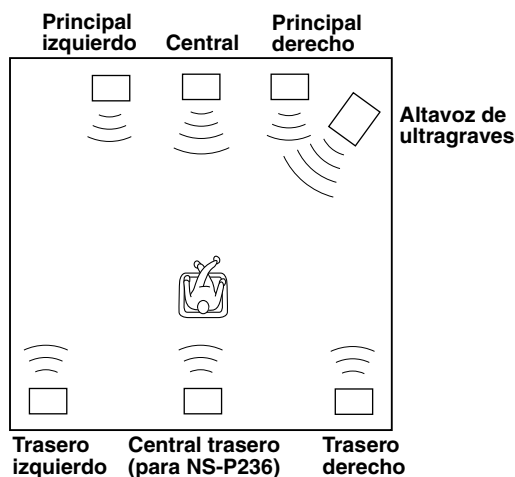
Altavoces principales: En ambos lados y aproximadamente la misma altura que el aparato de TV.

Altavoces traseros: Detrás de la posición desde donde se escucha, mirando un poco hacia dentro. Aproximadamente 1,8 m desde el suelo.

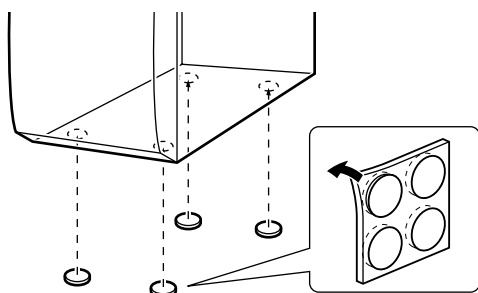
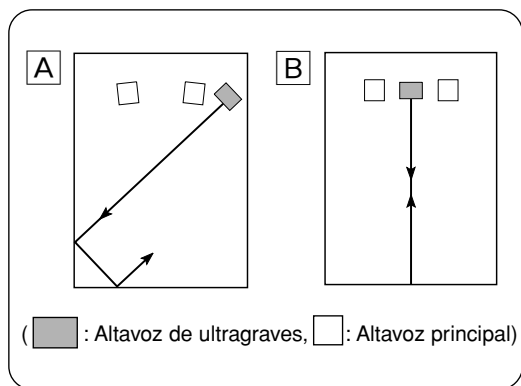
Altavoz central: Precisamente en el medio de los altavoces principales.

Altavoz central trasero (para NS-P236): Precisamente en el medio de los altavoces traseros.

Altavoz de ultr Graves: La posición del altavoz de ultr Graves no es demasiado importante puesto que los tonos de graves bajos no son muy direccionales. Consulte la "Instalación del altavoz de ultr Graves" que aparece a continuación para la posición recomendada del altavoz de ultr Graves.



■ Instalación del altavoz de ultr Graves



Se recomienda colocar el altavoz de ultr Graves del lado de afuera de los altavoces principales derecho o izquierdo. (Consultar la fig. [A] .) La ubicación indicada en la fig. [B] también se puede usar, sin embargo, si el sistema de ultr Graves se coloca mirando directamente la pared, el efecto de los graves se perderá debido a que el sonido de ellos y el sonido reflejado por la pared se anularán entre sí. Para evitar que esto suceda, coloque el sistema de ultr Graves en ángulo tal como se indica en la fig. [A] .

Nota

Puede darse el caso que al usar este altavoz de ultr Graves no se logre obtener un buen sonido de ultr Graves al escuchar en el centro de la sala. Esto se debe a que las "ondas estacionarias" se generan entre dos paredes paralelas y cancelan el sonido de los graves. En ese caso, colocar el altavoz de ultr Graves oblicuamente a la pared. También puede ser útil romper el paralelismo de las superficies colocando bibliotecas, etc. a lo largo de las paredes.

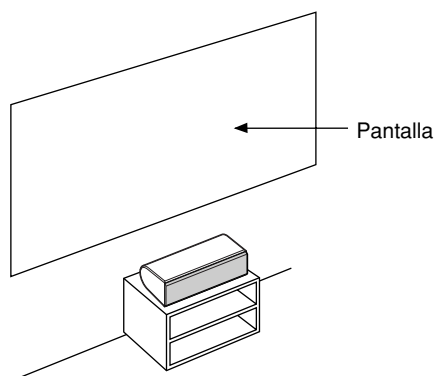
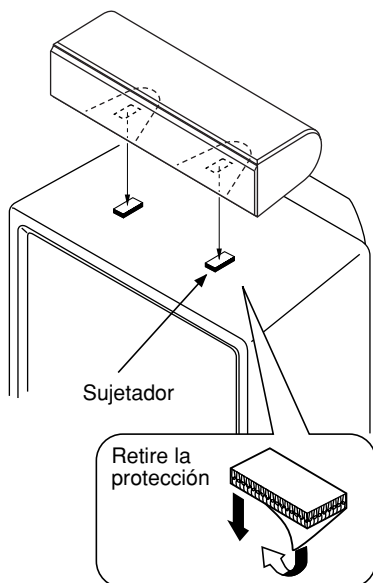
Utilización de las almohadillas antideslizantes

Instale los forros antideslizantes en las cuatro esquinas en la parte inferior del altavoz de ultr Graves para evitar que se mueva por la vibración, etc.

■ Instalación del altavoz central

Puede colocar el altavoz encima del TV si la parte superior es plana, en el suelo debajo de la TV, o sobre la estantería de la TV. Asegúrese de que coloca el altavoz en posición firme.

Cuando coloque el altavoz encima del TV, para evitar que este se caiga, fije los sujetadores incluidos en dos puntos en la base del altavoz y encima del TV.

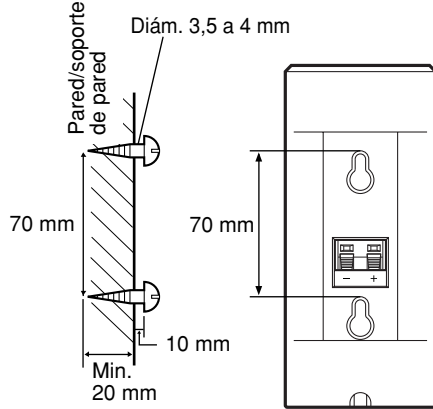


Notas

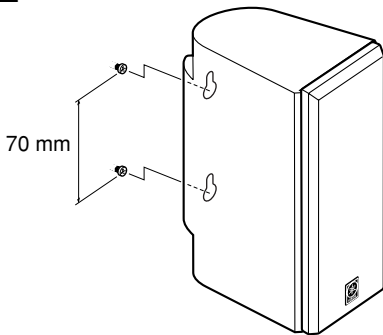
- No coloque el altavoz encima de un TV cuya área sea menor a la base del altavoz. Si lo hace, el altavoz podría caerse y causar lesiones.
- No coloque el altavoz sobre el TV si la parte superior no es plana.
- No toque la superficie adhesiva después de haber retirado la protección porque si no la capacidad adhesiva disminuirá.
- Limpie a fondo la superficie sobre la que va a aplicar el sujetador. Tenga en cuenta que la capacidad adhesiva es menor cuando la superficies está sucia, aceitosa o mojada, y que esto puede hacer que el altavoz se caiga.

■ Instalación de los altavoces traseros (y el altavoz central trasero para NS-P236)

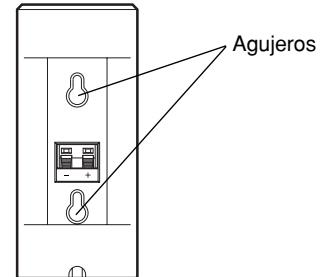
- 1** Tornillo opresor (en venta en tiendas especializadas)



- 2**



Instale los altavoces traseros (y el altavoz central trasero para NS-P236) sobre una estantería, colgador o directamente en el suelo, o cuélguelos en la pared.



Para instalar los altavoces en una pared mediante los agujeros que hay en los paneles traseros de los altavoces

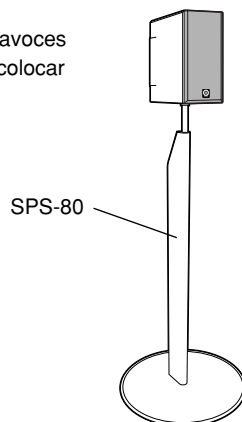
- 1 Fije los tornillos en una pared o soporte de pared como se muestra en la ilustración.
- 2 Cuelgue el altavoz insertando los orificios en los tornillos que sobresalen en la pared.
 - * Asegúrese de que los tornillos están firmemente fijados por las partes angostas de los orificios.

ADVERTENCIA

- Cada altavoz pesa 0,9 kg. No instale los altavoces en un contrachapado fino o en otra superficie de material blando. Si lo hace, los tornillos podrían desprender la superficie ligera y los altavoces podrían caer. Esto podría causar daños a los altavoces o lesiones personales.
- No fije los altavoces a la pared mediante clavos, adhesivos u otras piezas metálicas inestables. El uso prolongado y las vibraciones podrían hacer caer los altavoces.
- Para evitar accidentes ocasionados al pisar sobre los cables sueltos del altavoz, fije los cables a la pared.
- Seleccione una posición apropiada en la pared para instalar los altavoces de modo que nadie pueda dañarse la cabeza o la cara.

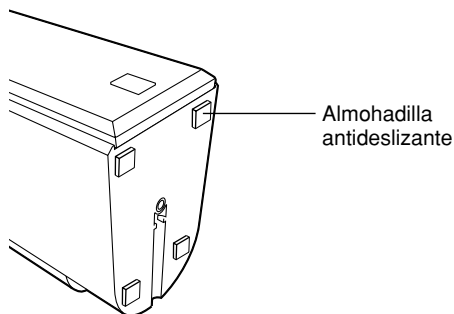
Utilizar el soporte de altavoces Yamaha SPS-80 (opcional)

Si utiliza el soporte de altavoces Yamaha SPS-80, puede colocar los altavoces en el suelo.



* El SPS-80 no está disponible en algunas zonas.

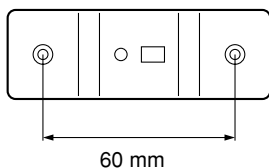
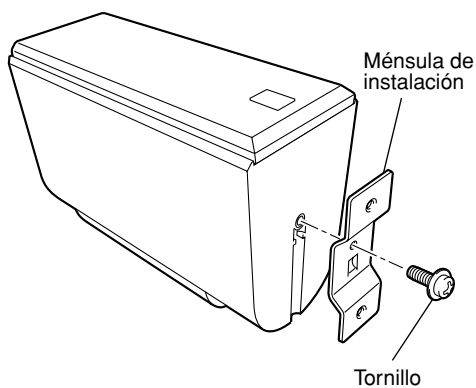
■ Instalación de los altavoces principales/traseros (y el altavoz central trasero para NS-P236)



Cuando instale los altavoces sobre una superficie plana, fije las almohadillas antideslizantes incluidas en las esquinas de la base de los altavoces tal como se muestra a la izquierda. Esto evitará que los altavoces cambien de posición.

* Para el NS-P236, las almohadillas antideslizantes incluyen cuatro de repuesto.

Si desea instalar un altavoz en un soporte para altavoces disponible en el comercio para los altavoces principales/traseros (y el altavoz central trasero para NS-P236)



La ménsula de instalación incluida con un par de orificios para tornillos (a una distancia de 60 mm) se puede utilizar para instalar el altavoz en un soporte para altavoz.

* Los orificios para tornillos son exclusivamente para los tornillos M4.

- 1 Instale la ménsula debajo del altavoz con el tornillo incluido para que la parte convexa de la ménsula encaje en la parte ranurada debajo del altavoz como en la figura de la izquierda.
- 2 Instale el altavoz sobre el soporte para altavoz utilizando los orificios para tornillo en la ménsula.

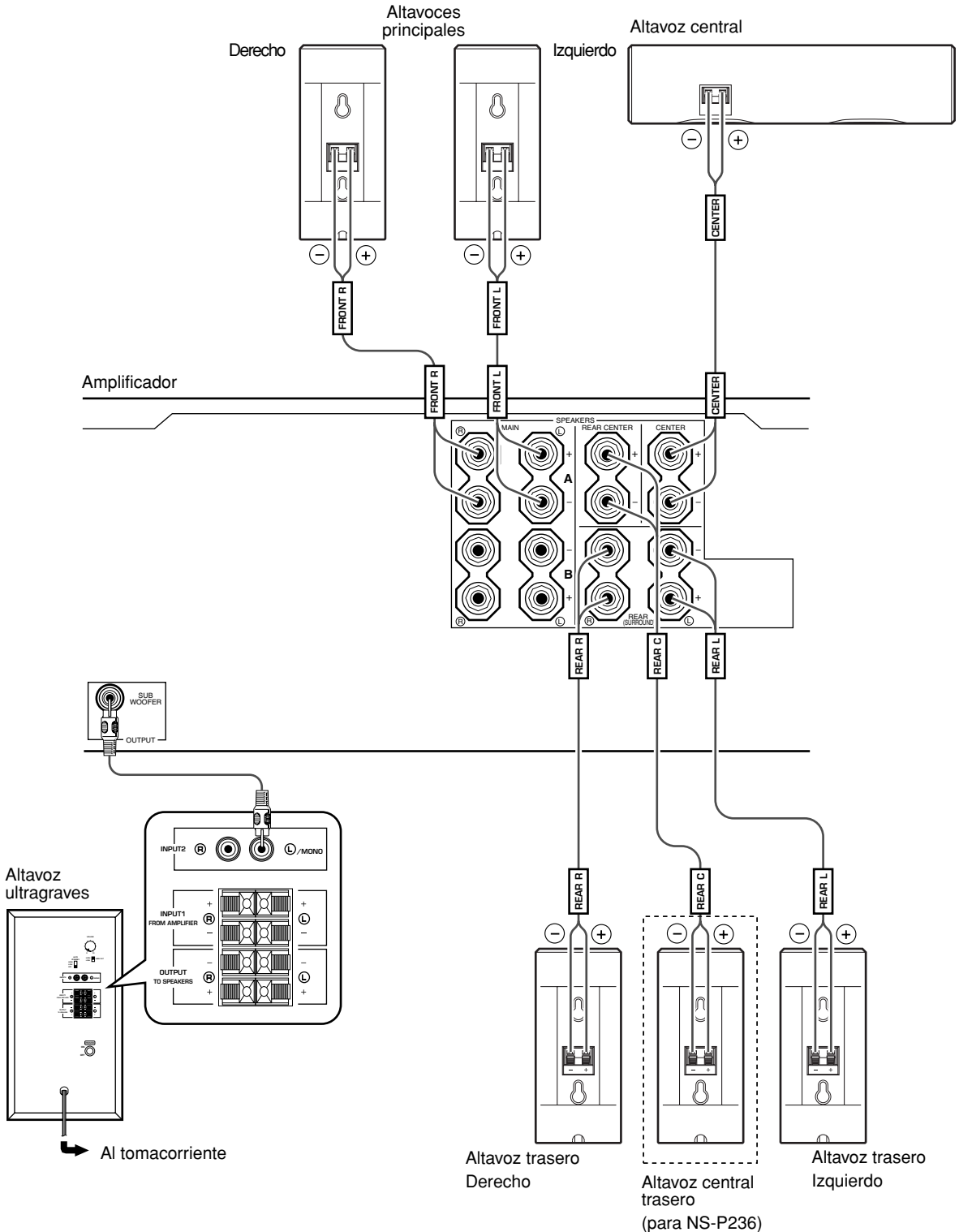
Nota


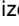

Hay una ménsula de instalación para cada uno de los altavoces.

CONEXIONES


Precaución: Enchufe el altavoz ultragraves y otros componentes de audio/video después de que haya finalizado todas las conexiones.

■ Un ejemplo de conexiones básicas



- Conecte los altavoces principales, central y traseros (y el altavoz central trasero para NS-P236) a los terminales de salida del altavoz de su amplificador por medio de los cables de altavoz incluidos.
 - * Los cables de altavoz incluidos disponen de las siguientes etiquetas FRONT L (DELANTERO IZQ), FRONT R (DELANTERO DCH), CENTER (CENTRAL), REAR L (TRASERO IZQ), REAR R (TRASERO DCH) (y REAR C (TRASERO C) para NS-P236). Conecte cada cable de altavoz con el altavoz correspondiente según la ilustración de la página 7.
 - * Conecte cada altavoz asegurándose de que no invierte la polaridad (+, -). Si el altavoz está conectado con la polaridad inversa, el sonido no será natural y no se oirán los graves.
 - * Sólo para los altavoces principales y traseros, conecte un altavoz en los terminales izquierdos (marcados L) de su amplificador y el otro altavoz en los terminales derechos (marcados R).
- Básicamente, se trata de conectar el altavoz de ultr Graves con las terminales de salida de línea (entrada de clavija) del amplificador. Si su amplificador no tiene una terminal de salida de línea, conecte el altavoz de ultr Graves a las terminales de salida del altavoz del amplificador. (Consulte la página 9 para más detalles.)
 - * Para conectar a un amplificador YAMAHA DSP (o receptor AV), conecte la terminal SUBWOOFER (o LOW PASS, etc.) en la parte trasera del amplificador DSP (o receptor AV) a la terminal /MONO INPUT2 del altavoz de ultr Graves.
 - * Para conectar el altavoz de ultr Graves a las terminales SPLIT SUBWOOFER en la parte trasera del amplificador DSP, conecte ambas a la terminal izquierda  y derecha  INPUT2 del altavoz de ultr Graves.

Nota

Cuando la conecte a una terminal de salida de línea monoaural del amplificador, conéctelo a la terminal /MONO INPUT2.

■ Conexión de los cables de altavoz a los terminales de entrada y salida de los altavoces

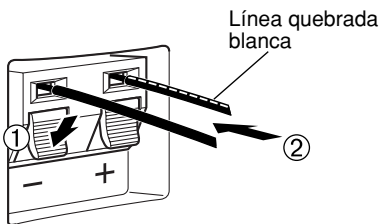
Para las conexiones, mantenga los cables de altavoz lo más corto posibles. No junte o enrolle la parte de cables que están demasiado largos. Si las conexiones están en mal estado, no se escuchará ningún sonido de los altavoces.

Altavoces principales/central/traseros Altavoz central trasero (para NS-P236)

Un lado del cable para altavoz suministrado posee una línea blanca quebrada, y el otro no tiene línea. Conecte los terminales (+) del altavoz y de amplificador utilizando los conductores con línea blanca quebrada. Conecte los terminales (-) de ambos componentes utilizando los conductores sin línea.

Rojo: positivo (+)

Negro: negativo (-)

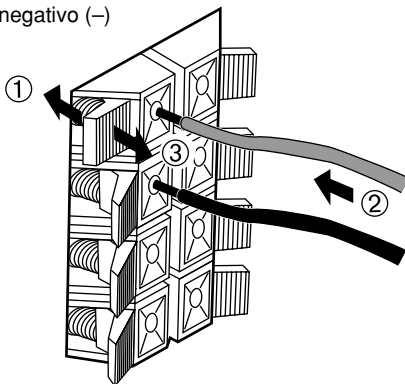


Altavoz de ultr Graves (terminales INPUT/ OUTPUT)

Conecte los terminales (+) al altavoz de ultr Graves y al amplificador por un extremo del cable. Conecte los (-) terminales a ambos componentes por el otro extremo del cable.

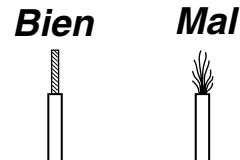
Rojo: positivo (+)

Negro: negativo (-)



Antes de conectar el aparato

Retire la capa aislante que cubre las extremidades de cada cable de altavoz girando hasta que se desprenda.



Cómo conectar:

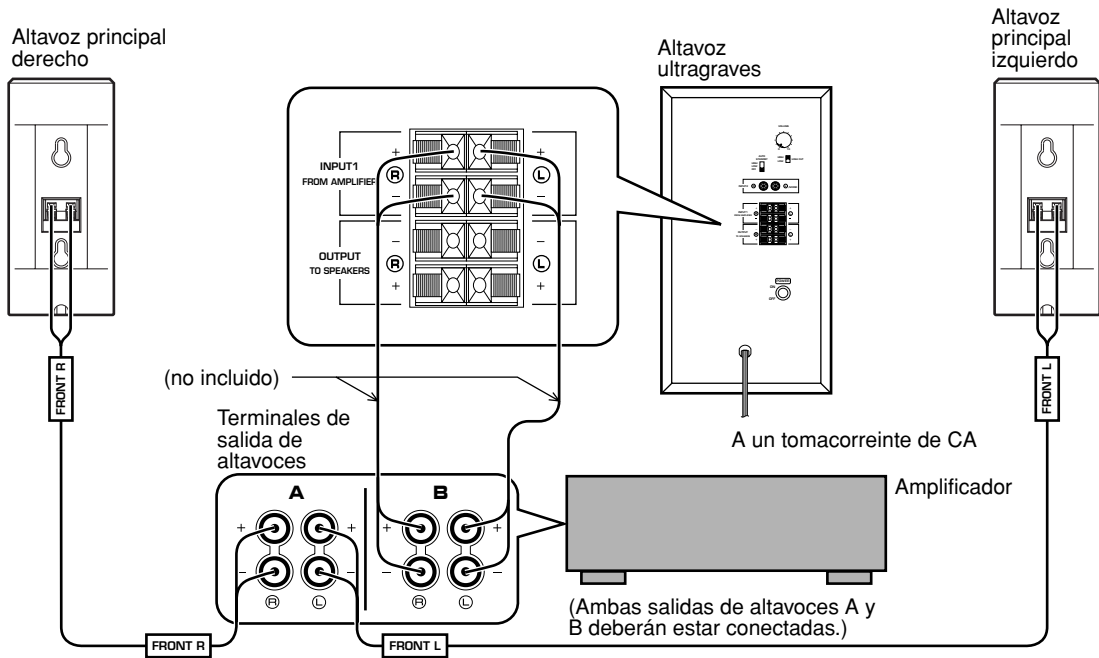
- ① Pulse y mantenga pulsada la lengüeta del terminal, como se muestra en la ilustración.
- ② Inserte el cable pelado.
- ③ Retire el dedo de la lengüeta para que ésta sujete firmemente el extremo del cable.
- ④ Compruebe la firmeza de la conexión tirando ligeramente del cable de la terminal.

Nota

No deje que los cables pelados estén en contacto ya que ello podría ocasionar daños al altavoz, al amplificador o a ambos.

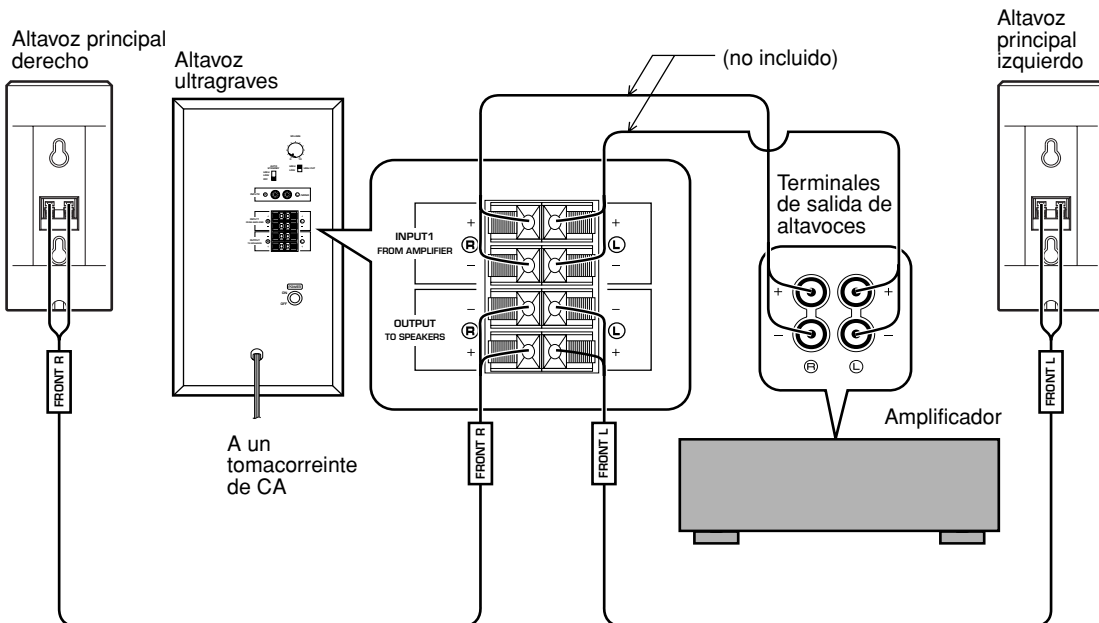
■ Conexión a los terminales de salida altavoz ultr Graves del amplificador

Si su amplificador posee dos juegos de terminales de salida de altavoces



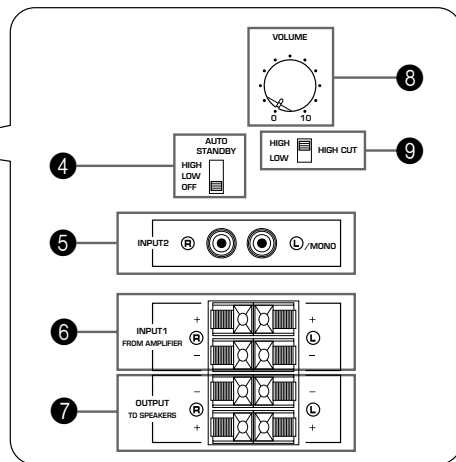
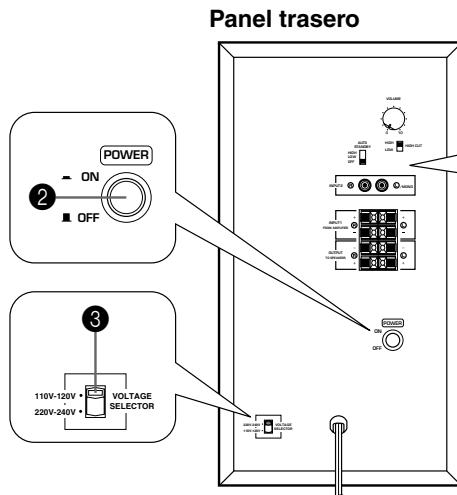
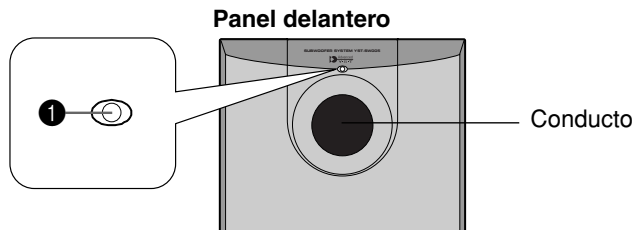
Si su amplificador tiene un solo juego de terminales de salida de altavoces principales

Conecte los terminales de salida de altavoces del amplificador a los terminales INPUT1 del altavoz ultr Graves y conecte los terminales OUTPUT del altavoz ultr Graves en los altavoces principales.



UTILIZACION DEL ALTAVOZ ULTRAGRAVES (YST-SW005)

■ Controles y otras funciones



- 1** Indicador de alimentación
Se enciende en verde cuando se pulsa hacia adentro el interruptor **POWER** (2) a la posición ON y se apaga cuando está en la posición OFF.

* Modo de espera

Si se pulsa hacia adentro el interruptor **POWER** (2) a la posición ON y el interruptor **AUTO STANDBY** (4) está en la posición HIGH o LOW, este indicador se enciende en rojo cuando no se recibe ninguna señal en el altavoz ultragraves.

- 2** Interruptor **POWER**
Pulse este interruptor a la posición ON para conectar la alimentación del altavoz ultragraves. Cuando la alimentación está conectada, el indicador de alimentación (1) del panel delantero se enciende en verde. Pulse este interruptor de nuevo para ajustarlo a la posición OFF para desconectar la alimentación del altavoz ultragraves.

- 3** Selector de voltaje (**VOLTAGE SELECTOR**)
(Para modelos en China, Corea y modelos generales)

Si el ajuste prefijado del interruptor es incorrecto, ajuste el interruptor a la gama de voltaje correcta (220V-240V o 110V-120V) de su región. Consulte con su distribuidor si no está seguro del ajuste correcto.

ADVERTENCIA

Asegúrese de desenchufar el altavoz ultragraves antes de ajustar correctamente el interruptor VOLTAGE SELECTOR.

- 4** Interruptor de espera (alto/bajo/desconexión automática de la alimentación (**AUTO STANDBY**) (**HIGH/LOW/OFF**))

Este interruptor está originalmente ajustado a la posición OFF. Al colocar este interruptor en posición HIGH o LOW, se pone en funcionamiento la función automática de alimentación del altavoz de ultragraves tal y como se explica en la página 9. Si no necesita esta función, póngalo en la posición OFF.

* Asegúrese de cambiar el ajuste de este interruptor sólo cuando el interruptor **POWER** (2) está en la posición OFF.

- 5** Terminales **INPUT2**
Usted podrá estos terminales para introducir señales de nivel de línea desde el amplificador.

- 6** Terminales **INPUT1 (FROM AMPLIFIER)**
Usted podrá utilizar estos terminales para conectar el altavoz ultragraves a los terminales para altavoces del amplificador.

- 7** Terminales **OUTPUT (TO SPEAKERS)**
Usted podrá utilizar estos terminales para conectar a los altavoces principales. Las señales de los terminales **INPUT1** (6) son enviadas a estos terminales.

- 8** Control **VOLUME**
Para ajustar el nivel del volumen. Gire el control en el sentido de las agujas del reloj para aumentar el nivel y en el sentido contrario al de las agujas del reloj para disminuir el volumen.

- 9** Interruptor **HIGH CUT (HIGH/LOW)**
Selecciona el punto de corte de alta frecuencia. Normalmente, está fijado en LOW, pero lo puede poner en HIGH si es necesario. Consulte las páginas 12 y 13.

Función de conmutación automática de la alimentación

Si se detiene la fuente que se está reproduciendo y se corta la señal de entrada durante 7 u 8 minutos, el altavoz de ultragraves se conmuta automáticamente al modo de espera. (Cuando el altavoz de ultragraves cambia al modo de pausa mediante la función automática de alimentación, el indicador de alimentación se ilumina en rojo).

Al reproducir nuevamente una fuente, la alimentación del altavoz de ultragraves se activa automáticamente al detectar entrada de señales de audio al altavoz de ultragraves.

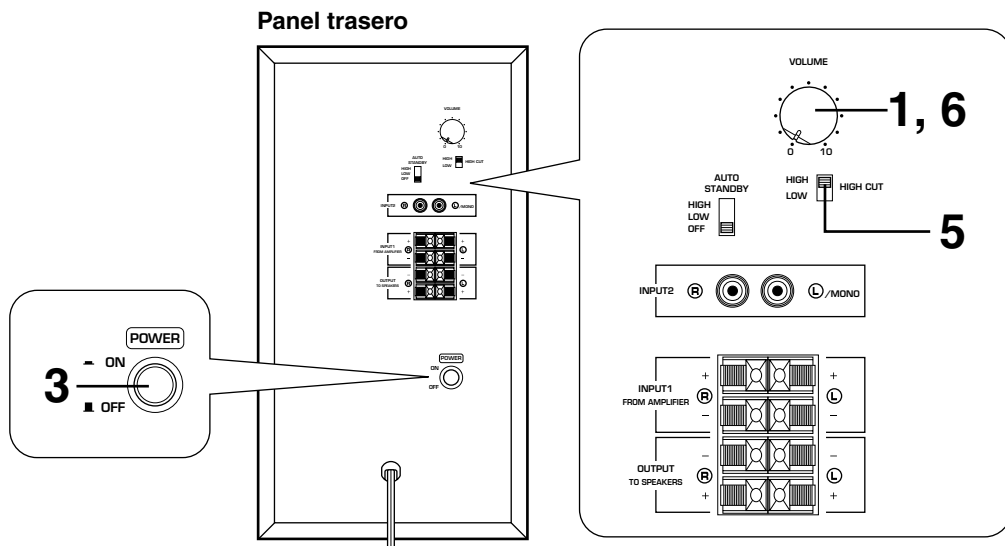
Esta función se activará cuando registre un nivel determinado de señal de entrada de baja frecuencia. Generalmente, ponga el interruptor **AUTO STANDBY** en la posición LOW. Sin embargo, si la alimentación no se conecta (ON) o se pone en espera (STANDBY) suavemente, ponga el interruptor en la posición HIGH. En la posición HIGH, se conectará la alimentación aunque haya una señal de entrada de nivel bajo. Pero tenga en cuenta que el altavoz ultragraves puede no conmutarse al modo de espera cuando hay una señal de entrada muy baja.

- * La alimentación puede conmutarse inesperadamente debido a que detecta ruido de otros aparatos. Si ocurriera eso, ajustar el interruptor **AUTO STANDBY** a la posición OFF y utilice el interruptor **POWER** para conmutar la alimentación manualmente entre ON y OFF.
- * Esta función detecta los componentes de baja frecuencia por debajo de los 200 Hz de las señales de entrada (por ej., la explosión en una película de acción, el sonido de los bajos de una guitarra o de un tambor, etc.).
- * Los minutos requeridos para conmutar el altavoz de ultragraves al modo de espera pueden cambiar al detectar ruido de otros aparatos.

Esta función está disponible sólo cuando la alimentación del altavoz ultragraves está conectada (pulsando el interruptor POWER).

■ Ajuste del altavoz ultragraves antes de utilizarlo

Antes de utilizar el altavoz de ultragraves, ajuste el altavoz de ultragraves para obtener el balance óptimo de volumen y tono entre el altavoz de ultragraves y los altavoces principales, siguiendo el procedimiento a continuación.



- 1 Ajustar el control **VOLUME** al mínimo (0).
- 2 Conectar la alimentación de todos los otros componentes.
- 3 Pulse el interruptor **POWER** en la posición ON.
 - * El indicador de alimentación del panel delantero se ilumina en verde.
- 4 Reproduzca una fuente que contenga componentes de baja frecuencia y ajuste el control de volumen del amplificador hasta el nivel de escucha deseado.
- 5 Ajuste el interruptor **HIGH CUT** en la posición LOW o HIGH.

Este altavoz de ultr Graves está diseñado para obtener un balance de tono óptimo entre el altavoz de ultr Graves y los altavoces principales cuando este interruptor se pone en posición LOW. El balance de tono puede cambiar pero, dependiendo de las dimensiones de la habitación, de la distancia entre el altavoz de ultr Graves y los altavoces principales, etc. De ser necesario, cámbielo a la posición HIGH.

- 6 Subir el volumen gradualmente para ajustar el volumen entre el altavoz de ultr Graves y los altavoces principales.

Normalmente, ajuste el control en el nivel en el que quiere obtener un mayor efecto de graves que cuando esta unidad no está en funcionamiento. Si no se puede obtener la respuesta deseada, ajuste el interruptor **HIGH CUT** y el control del **VOLUME** de nuevo.

- Una vez que se haya ajustado el equilibrio de volumen entre el altavoz de ultr Graves y los altavoces principales, se puede ajustar el volumen de todo su sistema de sonido usando el control de volumen del amplificador. Sin embargo, si se cambian los altavoces principales (NX-230P) por otros, deberá volver a hacer este ajuste.
- Para ajustar el control del **VOLUME** y el interruptor **HIGH CUT** véanse las “Características de frecuencia” que siguen abajo.

■ Características de frecuencia

Fig. 1 muestra las características de frecuencia del altavoz de ultr Graves con cada posición (HIGH/LOW) del interruptor **HIGH CUT**.

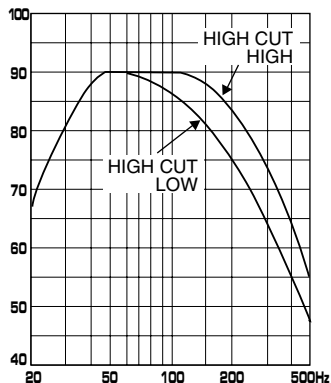


Fig. 1

Fig. 2 muestra el nivel de volumen óptimo con el interruptor **HIGH CUT** en posición HIGH, y las características de frecuencia cuando el altavoz de ultr Graves está combinado con el NX-230P.

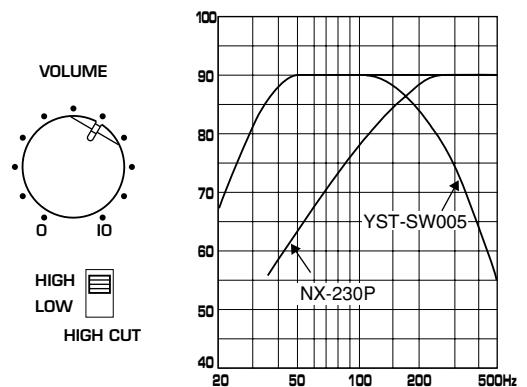


Fig. 2

ADVANCED YAMAHA ACTIVE SERVO TECHNOLOGY (para YST-SW005)

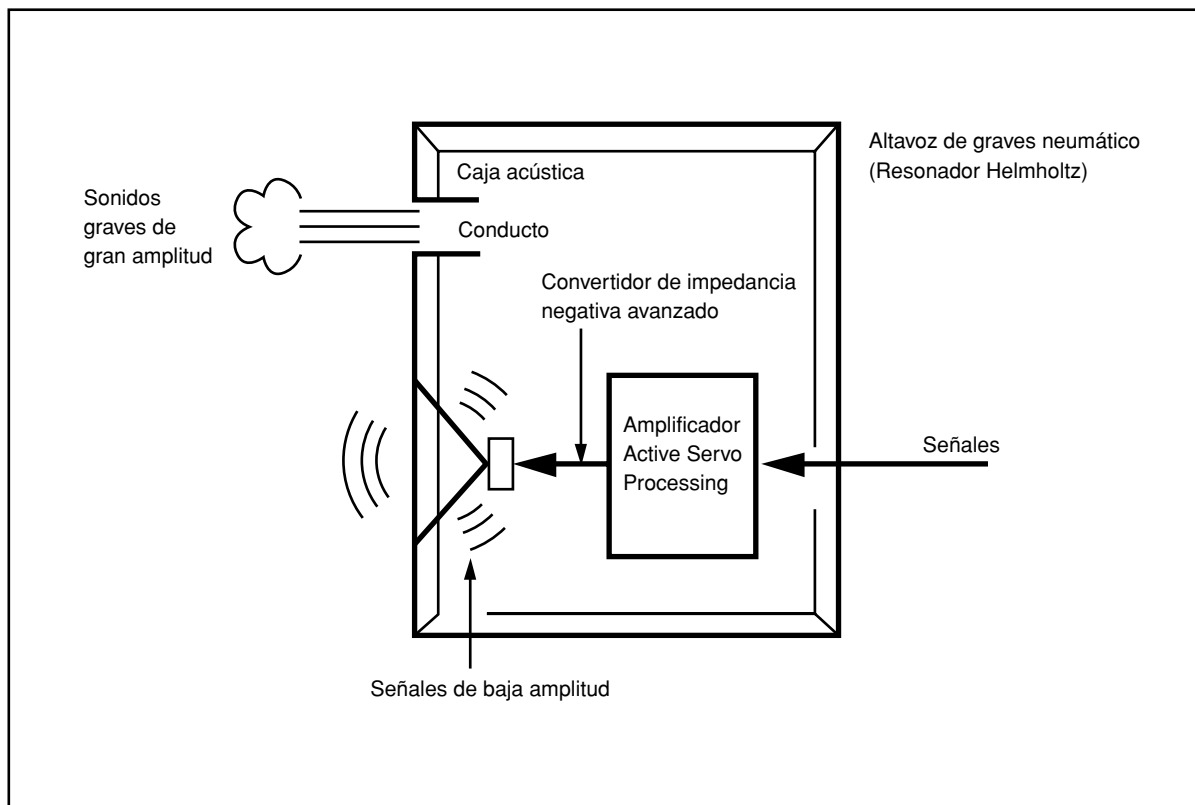
La teoría del Yamaha Active Servo Technology se basa en dos principales factores, el resonador Helmholtz y la excitación de impedancia negativa. Los altavoces Active Servo Processing reproducen las frecuencias de los graves a través de un "altavoz de graves neumático", que es un conducto o pequeña abertura de la caja acústica. Esta abertura se emplea y hace las veces del altavoz de graves en los sistemas de altavoces convencionalmente diseñados. De esta forma, las señales de baja amplitud dentro de la caja pueden, de acuerdo con la teoría de resonancia de Helmholtz, salir a través de esta abertura como ondas de gran amplitud si el tamaño de la abertura y el volumen de la caja están en la proporción correcta para satisfacer cierta relación. Además, para realizar esto, las amplitudes dentro de la caja deben ser precisas y de la potencia suficiente porque dichas amplitudes deben superar la "carga" presentada por el aire que existe dentro de la caja.

Por lo tanto, este problema se resuelve empleando un nuevo diseño en el que el amplificador suministra señales especiales.

Si la resistencia eléctrica de la bobina móvil se reduce a cero, el movimiento de la unidad de altavoz será lineal con respecto a la tensión de la señal. Para conseguir esto, se emplea un amplificador especial de excitación de salida de impedancia negativa para restar impedancia de salida del amplificador.

Empleando circuitos excitadores de impedancia negativa, el amplificador es capaz de generar ondas de baja amplitud y baja frecuencia precisas con características de amortiguación excelentes. Estas ondas se radian después desde la abertura de la caja como señales de gran amplitud. Por lo tanto, el sistema puede, empleando el amplificador de excitación de salida de impedancia negativa y la caja acústica con el resonador Helmholtz, reproducir una gama extremadamente amplia de frecuencias con una calidad acústica increíble y con menos distorsión. Las características descritas se combinan para convertirse en la estructura fundamental de la Yamaha convencional Active Servo Technology.

Nuestra nueva tecnología servoactiva - Advanced Yamaha Active Servo Technology - adoptó circuitos convertidores de impedancia negativa avanzados (ANIC), que permiten a un convertidor de impedancia negativa convencional verificar dinámicamente para seleccionar el valor óptimo para la variación de impedancia de los altavoces. Con estos nuevos circuitos ANIC, la tecnología servoactiva avanzada Yamaha puede proporcionar un rendimiento más estable y presión acústica mejorada en comparación con la tecnología servoactiva Yamaha convencional, lo que resulta en una reproducción de graves más natural y dinámica.



LOCALIZACION DE AVERIAS

Consulte el siguiente cuadro cuando el aparato no funcione bien. Si el problema no es uno de los que aparecen en la siguiente lista o si las instrucciones de abajo no ayudan a solucionar el problema, desenchufe el cable eléctrico y llame a un distribuidor o centro de servicio autorizado de YAMAHA.

Problema	Causa	Qué hacer
No se escuchan sonidos.	Las conexiones de los cables de altavoces están flojas.	Conectar los cables de altavoces correctamente.
El sonido es muy bajo.	Los cables de altavoces no están bien conectados.	Conectar los cables de altavoces correctamente, L (izquierda) a L, R (derecha) a R, "+" a "+" y "-" a "-".

para YST-SW005

Problema	Causa	Qué hacer
No hay corriente aunque el interruptor POWER está en la posición ON.	El cable de alimentación no está bien enchufado.	Enchufe bien el cable de alimentación.
No se escuchan sonidos.	El control VOLUME está en 0.	Gire hacia la derecha el control VOLUME (en el sentido de las agujas del reloj).
	Las conexiones de los cables de altavoces están flojas.	Conecte los cables de altavoces correctamente.
El sonido es muy bajo.	Los cables de altavoces no están bien conectados.	Conecte los cables de altavoces correctamente, L (izquierda) a L, R (derecha) a R, "+" a "+" y "-" a "-".
	Se está reproduciendo una fuente de sonidos con pocos graves.	Reproduzca una fuente de sonido con graves. Ajuste el interruptor HIGH CUT a la posición "HIGH".
	Están actuando las ondas estacionarias.	Cambie de lugar los altavoces ultragraves o elimine el paralelismo entre las superficies colocando una biblioteca, etc. a lo largo de las paredes.
El altavoz de ultragraves no se conecta automáticamente.	El interruptor POWER está en la posición OFF.	Ajuste el interruptor POWER en la posición ON.
	El interruptor AUTO STANDBY está en la posición OFF.	Ajuste el interruptor AUTO STANDBY a la posición "HIGH" o "LOW".
	El nivel de la señal de entrada es demasiado bajo.	Ajuste el interruptor AUTO STANDBY a la posición "HIGH".
El altavoz de ultragraves no pasa automáticamente al modo standby (en espera).	Existe una influencia de ruido generado por equipos digitales externos, etc.	Aleje el altavoz de ultragraves de tales equipos y/o cambie la posición de los cables de los altavoces conectados. De lo contrario, ajuste el interruptor AUTO STANDBY a la posición "OFF".
	El interruptor AUTO STANDBY está en la posición OFF.	Ajuste el interruptor AUTO STANDBY a la posición "HIGH".
El altavoz de ultragraves se conmuta al modo de espera inesperadamente.	El nivel de la señal de entrada es demasiado bajo.	Ajuste el interruptor AUTO STANDBY a la posición "HIGH".
El altavoz de ultragraves se conecta inesperadamente.	Existe una influencia de ruido generado por equipos digitales externos, etc.	Aleje el altavoz de ultragraves de tales equipos y/o cambie la posición de los cables de los altavoces conectados. De lo contrario, ajuste el interruptor AUTO STANDBY a la posición "OFF".

ESPECIFICACIONES

■ NX-230P, NX-C230

Tipo Sistema de altavoces de suspensión acústica
de alcance completo
Tipo con protección magnética

Accionador Altavoz de cono de margen
completo de 5 cm x 2

Potencia de entrada nominal 30W

Potencia de entrada máxima 100W

Impedancia 6Ω

Respuesta en frecuencia

<NX-230P> 100 Hz a 30 kHz

<NX-C230> 75 Hz a 30 kHz

Sensibilidad 86 dB/2,83V/m

Dimensiones (An x Al x Prf)

<NX-230P> 72 mm x 164 mm x 111 mm

<NX-C230> 300 mm x 72 mm x 110 mm

Peso

<NX-230P> 0,9 kg

<NX-C230> 1,1 kg

■ YST-SW005

Tipo Advanced Yamaha Active Servo Technology
Tipo con protección magnética

Accionador Altavoz de graves de cono de 16 cm

Salida de amplificador

Modelos para EE.UU. y Canadá 55W/5Ω

Otros modelos 50W/5Ω

Respuesta en frecuencia 30 Hz a 200 Hz

Alimentación

Modelos para EE.UU. y Canadá CA 120V, 60 Hz

Modelos para Reino Unido y Europa CA 230V, 50 Hz

Modelo para Australia CA 240V, 50 Hz

Modelos para China, Corea y General

..... CA 110-120/220-240V, 50/60 Hz

Consumo 60W

(En el modo de espera: 0,8W)

Dimensiones (An x Al x Prf)

..... 200 mm x 365 mm x 375 mm

Peso 8,5 kg

* Todas las especificaciones están sujetas a cambios sin
previo aviso.

LET OP: Lees eerst deze aanwijzingen alvorens het apparaat in gebruik te nemen.

- Lees deze handleiding nauwkeurig door om de best mogelijke resultaten te verkrijgen. Bewaar de gebruiksaanwijzing voor later gebruik.
- Stel de luidsprekers op een koele, droge, schone plaats op – niet in de buurt van ramen, warmtebronnen of op plaatsen die onderhevig zijn aan trillingen of op buitengewoon stoffige, warme, koude of vochtige plaatsen. Plaats de luidsprekers niet in de buurt van mogelijke storingsbronnen (zoals transformators of motoren). Stel de luidsprekers niet bloot aan regen of vocht, om het risico van brand of een elektrische schok te voorkomen.
- Zet de luidsprekers niet op plaatsen waar ze worden blootgesteld aan direct zonlicht of vocht om te voorkomen dat de kasten vervormen of verkleuren.
- Plaats de luidsprekers niet op een plaats waar zij kunnen geraakt worden door vallende voorwerpen en/of waar zij kunnen worden blootgesteld aan waterdruppels of spatten. Plaats de volgende voorwerpen niet boven op de luidsprekers:
 - Andere componenten, aangezien zij beschadiging en/of verkleuring van de luidsprekeroppervlakken kunnen veroorzaken.
 - Brandende voorwerpen (bijv. kaarsen), aangezien zij brand, schade aan de luidsprekers en/of lichamenlijk letsel kunnen veroorzaken.
 - Houders gevuld met vloeistof, aangezien zij een elektrische schok en/of schade aan de luidsprekers kunnen veroorzaken.
- Zet de luidsprekers niet op plaatsen waar ze omgestoten kunnen worden of waar er voorwerpen op kunnen vallen. Bovendien zorgt een stabiele plaatsing voor een betere geluidskwaliteit.
- Het plaatsen van de luidsprekers op dezelfde plank of in hetzelfde rek als de draaitafel kan leiden tot feedback.
- Het is de verantwoordelijkheid van de eigenaar om het systeem stevig te plaatsen of te installeren. YAMAHA is niet aansprakelijk voor ongevallen veroorzaakt door onjuiste plaatsing of installatie van de luidsprekers.
- Verminder het volume van de versterker zodra u merkt dat het geluid vervormt. Voorkom te allen tijde dat de versterker het geluid gaat "afkappen". Anders kunnen de luidsprekers beschadigd worden.
- Indien u een versterker gebruikt met een nominaal uitgangsvermogen dat hoger is dan het nominale ingangsvermogen van de luidsprekers, moet er voor worden gezorgd dat het maximale ingangsvermogen van de luidsprekers nooit wordt overschreden.
- Probeer nooit de luidsprekers te reinigen met behulp van een chemisch reinigingsmiddel, aangezien hierdoor de afwerking beschadigd kan worden. Gebruik een schone, droge doek.
- Breng geen wijzigingen aan de luidsprekers aan en tracht de luidsprekers evenmin te herstellen. Neem voor onderhoud altijd contact op met erkend onderhoudspersoneel van YAMAHA. De kast mag onder geen beding worden opengemaakt.
- Alvorens te concluderen dat de luidsprekers defect zijn, eerst het hoofdstuk "STORINGZOEKEN" doorlezen voor advies betreffende het opsporen van veel voorkomende bedieningsfouten.

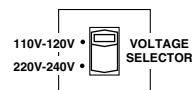
Voor YST-SW005

- Bedien dit apparaat niet terwijl het ondersteboven staat. Anders zou het kunnen oververhitten en schade oplopen.
- Oefen nooit overmatige kracht uit op de schakelaars, regelaars of aansluitkabels. Bij het verplaatsen van dit apparaat, er op letten eerst de stekker van het netsnoer uit het stopcontact te verwijderen en de verbindingen van de kabels met overige apparatuur los te maken. Nooit aan de kabels zelf trekken.
- Aangezien dit apparaat uitgerust is met een ingebouwde vermogenversterker, wordt er warmte via het achterpaneel afgevoerd. Plaats het apparaat niet tegen een muur en laat voldoende tussenruimte over ter voorkoming van beschadiging of brand aan de bovenzijde, achterzijde, links en rechts van het apparaat. Plaats het apparaat ook niet met het achterpaneel. Plaats het apparaat ook niet met het achterpaneel naar beneden gericht op de grond of op een ander oppervlak.

<Voor modellen voor het Verenigd Koninkrijk en Europa>

Laat een tussenruimte over van tenminste 20 cm aan de bovenzijde, achterzijde en aan beide zijanten van het apparaat.

- Als u een luchtbevochtiger gebruikt, moet u condensatie in dit apparaat voorkomen. Voorzie hiervoor voldoende ruimte rond dit apparaat of voorkom overmatige bevochtiging. Condensatie kan een brand, schade aan dit apparaat en/of een elektrische schok veroorzaken.
- Dek het achterpaneel van dit apparaat niet af met kranten, tafeldoeken, gordijnen, enz. waardoor de warmte niet kan worden afgegeven. Als de temperatuur in dit apparaat stijgt, kan dit brand, schade aan dit apparaat en/of lichamenlijk letsel veroorzaken.
- Steek de stekker van het netsnoer pas in het stopcontact nadat alle aansluitingen zijn gemaakt.
- De gebruikte spanning moet dezelfde zijn als de spanning die is aangegeven op het achterpaneel. Als u dit apparaat gebruikt met een hogere spanning, dan is er gevaar voor brand, schade aan dit apparaat en/of lichamenlijk letsel. YAMAHA is niet aansprakelijk voor schade veroorzaakt door het gebruik van dit apparaat met een andere dan de aangegeven spanning.
- Verwijder tijdens een onweer de stekker van het netsnoer van het apparaat uit het stopcontact om schade als gevolg van blikseminslag te voorkomen.
- De superlage frequenties die door dit apparaat worden gereproduceerd, kunnen bij gebruik van een platenspeler bromgeluiden veroorzaken. In een dergelijk geval dit apparaat op afstand van de platenspeler opstellen.
- Dit apparaat kan beschadigd worden als bepaalde geluiden ononderbroken worden uitgevoerd met een hoog volumeniveau. Wanneer bijvoorbeeld sinusgolven van 20 Hz–50 Hz van een testdisc, basgeluiden van elektronische instrumenten, enz. ononderbroken worden uitgevoerd, of bij het neerlaten van de naald op een grammofoonplaat, moet u het volumeniveau verlagen om te voorkomen dat dit apparaat wordt beschadigd.
- Indien u merkt dat er zich bij dit apparaat vervorming van het geluid voordoet, (d.w.z. onnatuurlijke, "kloppende" of "tikkende" geluiden die zich met tussenpozen voordoen), dient u het volumeniveau terug te brengen. Door de zware, lage frequentietonen van het geluidsspoor van een film of soortgelijk luide passages van popmuziek met een buitengewoon hoog volume weer te geven, bestaat de kans op beschadiging van dit luidsprekersysteem.
- De trillingen die worden veroorzaakt door superlage frequenties kunnen het TV-beeld vervormen. Stel in een dergelijk geval dit apparaat op een afstand van het TV-toestel op.
- Neem het snoer bij de stekker vast wanneer u het uit het stopcontact trekt; trek nooit aan het snoer zelf.
- Wanneer u het apparaat gedurende een langere periode niet gaat gebruiken (bijv. bij vakantie, enz.), de stekker steeds uit het stopcontact verwijderen.
- **VOLTAGE SELECTOR (Spanningskeuzeschakelaar) (Modellen voor China en Korea en Algemene modellen)**
De spanningskeuzeschakelaar op het achterpaneel van dit apparaat dient correct ingesteld te worden op de plaatselijke netspanning, ALVORENS de stekker van het netsnoer van dit apparaat in het wisselstroom-stopcontact te steken.
Instelbare netspanningen zijn 110-120/220-240 V wisselstroom, 50/60 Hz.



Standby-functie

Als de POWER-schakelaar in de stand ON gezet wordt en de AUTO STANDBY-schakelaar in de stand HIGH of LOW, zal dit apparaat op de standby-functie ingesteld worden wanneer het geen signaal ontvangt gedurende 7 tot 8 minuten.

In deze toestand zal het apparaat slechts een zeer kleine hoeveelheid stroom verbruiken.

WAARSCHUWING

STEL HET APPARAAT NIET BLOOT AAN REGEN OF VOCHT OM HET RISICO VAN BRAND OF EEN ELEKTRISCHE SCHOK TE VOORKOMEN.

ONDERDELEN VAN HET PAKKET

Het luidsprekerpakket "NS-P230" en "NS-P236" is bestemd voor gebruik met een meerkanalen-audiosysteem, zoals een huisbioscoopstelsel.

Het pakket NS-P230 bestaat uit vier NX-230P luidsprekersystemen, één NX-C230 luidsprekersysteem en één YST-SW005 subwoofersysteem.

Het pakket NS-P236 bestaat uit vijf NX-230P luidsprekersystemen, één NX-C230 luidsprekersysteem en één YST-SW005 subwoofersysteem.

<NX-230P>

Full-range akoestisch-suspensie luidsprekersysteem, gebruikt als hoofd- en achterluidsprekers (en als achter-middenluidspreker voor NS-P236)

<NX-C230>

Full-range akoestisch-suspensie luidsprekersysteem, gebruikt als middenluidspreker

<YST-SW005>

Active Servo Processing Subwoofersysteem met ingebouwde vermogensversterker

- Dit subwoofersysteem maakt gebruik van de Advanced YAMAHA Active Servo Technology, die door YAMAHA werd ontwikkeld voor de reproductie van ultralage tonen van superieure kwaliteit. (Zie pagina 14 voor nadere bijzonderheden over deze Advanced YAMAHA Active Servo Technology.) Deze krachtige lage tonen geven uw stereo-installatie een voller, directer geluid en maken uw luisterkamer tot een bioscoopzaal thuis.
- Deze subwoofer is gemakkelijk aan te sluiten op uw bestaande audiosysteem door het te verbinden met de luidsprekeruitgangen of de voorversterkeruitgangen (pinuitgang) van uw versterker.
- De AUTO STANDBY-schakelaar bespaart u de moeite van het instellen van de POWER-schakelaar in ON- of OFF-stand.

INHOUD

UITPAKKEN	Binnenzijde van omslag
LET OP	1
ONDERDELEN VAN HET PAKKET	2
OPSTELLING VAN DE LUIDSPREKERS	3
Opstelling van de subwoofer	4
Opstelling van de middenluidspreker	4
Bevestigen van de achterluidsprekers (en achter-middenluidspreker voor NS-P236)	5
Opstelling van de hoofd-/achterluidsprekers (en achter-middenluidspreker voor NS-P236)	6
AANSLUITINGEN	7
Een voorbeeld van standaardaansluitingen	7
Aansluiten van de luidsprekersnoeren op de ingangs- en uitgangsaansluitingen van de luidsprekers	9
De subwoofer aansluiten op de luidspreker-uitgangsaansluitingen van de versterker	10

GEBRUIK VAN DE SUBWOOFER

(YST-SW005)	11
Regelaars en hun functies	11
Afstelling van de subwoofer alvorens deze te gebruiken	12
Frequentiekarakteristieken	13

ADVANCED YAMAHA ACTIVE SERVO

TECHNOLOGY (voor YST-SW005)	14
STORINGZOEKEN	15
SPECIFICATIES	16

OPSTELLING VAN DE LUIDSPREKERS

Alvorens u de aansluitingen gaat maken, alle luidsprekers respectievelijk in hun juiste posities plaatsen. De juiste plaatsing van de luidsprekers is belangrijk, aangezien hierdoor de totale geluidskwaliteit van dit systeem bepaald wordt. Plaats de luidsprekers op basis van uw luisterpositie door onderstaande instructies te volgen.

Luidsprekersysteem

<NS-P230>

Dit luidsprekerpakket maakt gebruik van een 6-luidsprekersysteem: 2 hoofd-luidsprekers, 2 achterluidsprekers, een middenluidspreker en een subwoofer.

De hoofd-luidsprekers geven het hoofdbongeluid weer. De achterluidsprekers geven de surroundklanken weer en de middenluidspreker geeft de middenklanken weer (dialogo, enz.). De subwoofer versterkt de lage frequenties van uw audiosysteem.

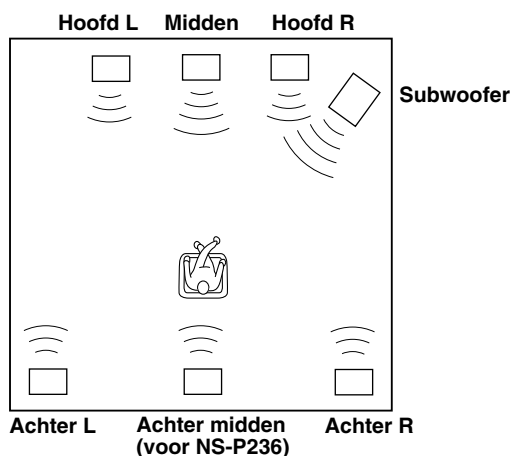
<NS-P236>

Dit luidsprekerpakket maakt gebruik van een 7-luidsprekersysteem: 2 hoofd-luidsprekers, 2 achterluidsprekers, een middenluidspreker, een achter-middenluidspreker en een subwoofer.

De hoofd-luidsprekers geven het hoofdbongeluid weer. De achterluidsprekers geven de surroundklanken weer en de middenluidspreker geeft de middenklanken weer (dialogo, enz.). De subwoofer versterkt de lage frequenties van uw audiosysteem.

Opmerking

In dit luidsprekerpakket worden dezelfde luidsprekers (NX-230P) gebruikt voor de hoofd- en achterluidsprekers (en de achter-middenluidspreker voor NS-P236).



Opstelling van de luidsprekers

Hoofd-luidsprekers: Aan beide zijden en op bijna dezelfde hoogte als de TV.

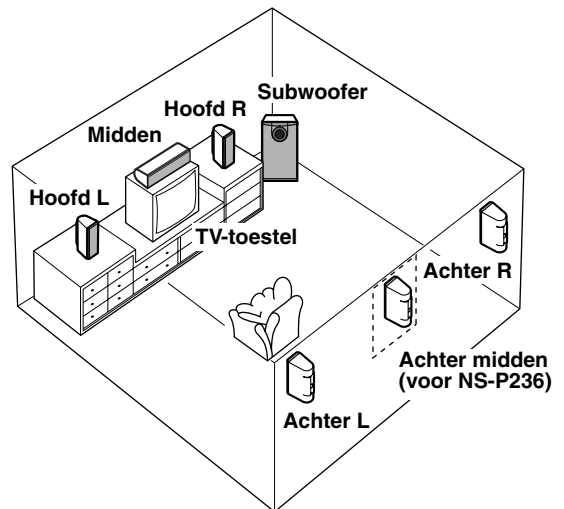
Achterluidsprekers: Achter uw luisterpositie, een weinig naar binnen gericht. Ongeveer 1,8 m vanaf de vloer.

Middenluidspreker: Precies tussen de hoofd-luidsprekers.

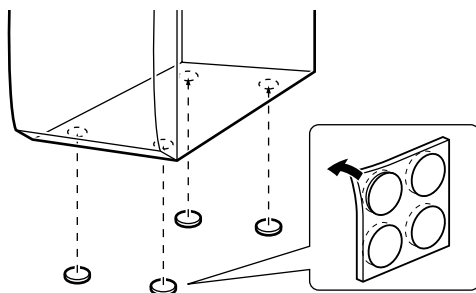
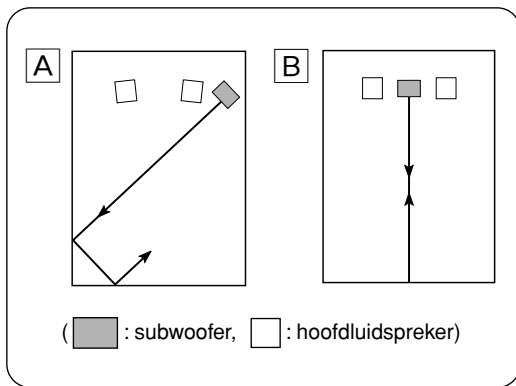
Achter-middenluidspreker (voor NS-P236): Precies tussen de achterluidsprekers.

Subwoofer: De positie van de subwoofer is niet zo kritiek, aangezien de lage bastonen niet bijzonder richtinggevoelig zijn.

Zie "Opstelling van de subwoofer" hieronder voor de aanbevolen opstelling.



■ Opstelling van de subwoofer



Het wordt aanbevolen de subwoofer aan de buitenzijde van de rechter of de linker hoofduidspreker te plaatsen. (Zie fig. [A].) De in fig. [B] getoonde opstelling is eveneens mogelijk. Als het subwoofersysteem echter recht tegenover de muur wordt geplaatst, kan het baseffect verloren gaan, aangezien het geluid van de subwoofer en het door de muur weerkaatste geluid elkaar zouden kunnen neutraliseren. Om dit te voorkomen, dient u het subwoofersysteem schuin te plaatsen, zoals aangegeven in fig. [A].

Opmerking

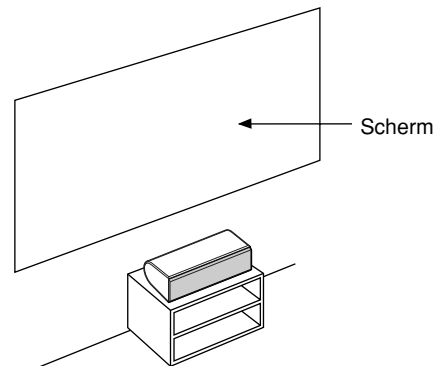
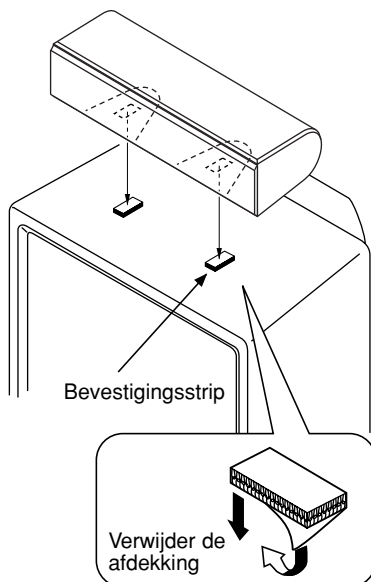
Het kan zich voordoen dat u geen voldoende superlage tonen van de subwoofer kunt verkrijgen wanneer u in het midden van de kamer luistert. Dit komt omdat er zich "staande golven" hebben ontwikkeld tussen twee parallel staande muren waardoor de lage tonen wegvallen. Stel in dit geval de subwoofer schuin ten opzichte van de muur op. Het kan ook nodig zijn dat de evenwijdige oppervlakken worden onderbroken door bijv. boekenplanken tegen de muren te plaatsen.

Gebruik de antislipplaatjes

Breng de bijgeleverde antislipplaatjes aan op de vier hoeken aan de onderzijde van de subwoofer om te voorkomen dat de subwoofer door trillingen, enz. van zijn plaats glijdt.

■ Opstelling van de middenuidspreker

U kunt de luidspreker boven op het TV-toestel plaatsen als dit een vlakke bovenkant heeft, op de vloer onder de TV, of in een TV-meubel. Zorg ervoor dat de luidspreker stabiel staat. Wanneer u de luidspreker boven op de TV plaatst, breng dan de bijgeleverde bevestigingen aan op de onderkant van de luidspreker en op de bovenkant van het TV-toestel zodat de luidspreker niet kan vallen.

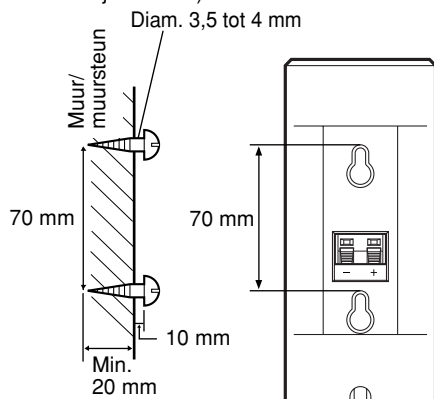


Opmerkingen

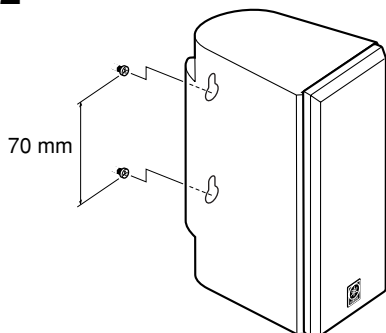
- Plaats de luidspreker niet boven op de TV als het bovenoppervlak van de TV kleiner is dan de onderkant van de luidspreker. De luidspreker zou dan kunnen vallen en lichamelijk letsel kunnen veroorzaken.
- Plaats de luidspreker niet boven op de TV als het bovenoppervlak afheft.
- Raak het kleefoppervlak niet aan na het verwijderen van de afdekking, aangezien de hechtsterkte dan afneemt.
- Veeg het oppervlak waarop de bevestiging wordt vastgemaakt grondig schoon. Merk op dat de kleefkracht afneemt als het oppervlak vuil, vettig of nat is en dat de middenluidspreker dan kan vallen.

■ Bevestigen van de achterluidsprekers (en achter-middenluidspreker voor NS-P236)

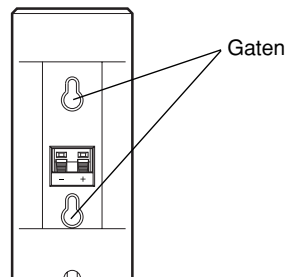
- 1** Tapschroef
(verkrijgbaar bij
een ijzerwinkel)



2



Bevestig de achterluidsprekers (en achter-middenluidspreker voor NS-P236) op een boekenplank, rek of rechtstreeks op de vloer of hang ze aan een muur.



Bevestigen van de luidsprekers aan een muur met behulp van de gaten in de achterpanelen van de luidsprekers

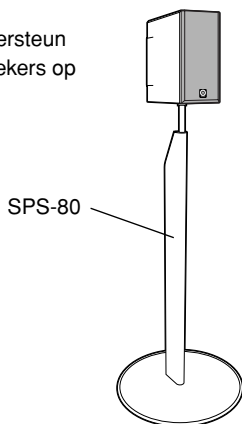
- 1** Bevestig de schroeven in een stevige muur of muursteen zoals aangegeven in de afbeelding.
- 2** Hang de luidspreker op door de gaten over de uitstekende schroeven te plaatsen.
 - * Let er op dat de schroeven stevig in het smalle gedeelte van de gaten vastgeklemd worden.

WAARSCHUWING

- Elke luidspreker weegt 0,9 kg. Bevestig ze dus niet op dun triplex of aan een muur met een buitenlaag van zacht materiaal. In dat geval zouden de schroeven uit de dunne buitenlaag los kunnen raken waardoor de luidsprekers kunnen vallen. Dit kan beschadiging van de luidsprekers of persoonlijk letsel tot gevolg hebben.
- Bevestig de luidsprekers niet met spijkers, kleefmiddelen of ander onstabiel materiaal aan de muur. Als gevolg van langdurig gebruik en trillingen is het mogelijk dat de luidsprekers vallen.
- Ter voorkoming van ongelukken als gevolg van het struikelen over loshangende luidsprekersnoeren, dienen deze aan de muur bevestigd te worden.
- Kies een geschikte plaats op de muur om de luidspreker te bevestigen. Let daarbij op dat niemand met zijn/haar hoofd of gezicht tegen de rand van de steun kan stoten.

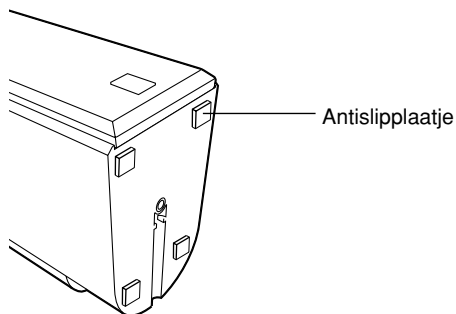
Gebruik van de Yamaha luidsprekersteun SPS-80 (optie)

Met de Yamaha luidsprekersteun SPS-80 kunt u de luidsprekers op de vloer plaatsen.



* De SPS-80 is niet overal verkrijgbaar.

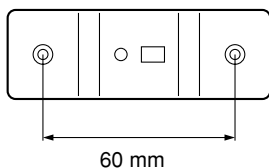
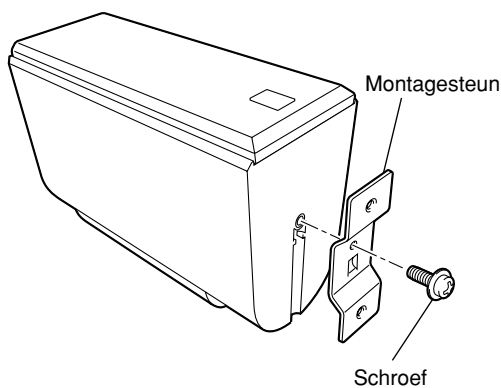
■ Opstelling van de hoofd-/achterluidsprekers (en achter-middenluidspreker voor NS-P236)



Wanneer u de luidsprekers op een vlak oppervlak plaatst, moet u de bijgeleverde antislipplaatjes bevestigen op de hoeken aan de onderzijde van de luidspreker, zoals links getoond. Dit om te voorkomen dat de luidsprekers verschuiven.

* NS-P236 bevat vier reserve-antislipplaatjes.

Als u de luidspreker op een in de handel verkrijgbare luidsprekersteun wilt monteren voor de hoofd-/achterluidsprekers (en achter-middenluidspreker voor NS-P236)



De bijgeleverde montagesteun die voorzien is van 1 paar schroefgaten (met een tussenruimte van 60 mm) kan worden gebruikt om de luidspreker op een luidsprekersteun te monteren.

* Deze schroefgaten kunnen alleen worden gebruikt met M4-schroeven.

- 1 Bevestig de montagesteun aan de onderzijde van de luidspreker met behulp van de bijgeleverde schroef en let er daarbij op dat het gebogen gedeelte van de steun in de uitsparing aan de onderzijde van de luidspreker komt te zitten, zoals aangegeven in de afbeelding links.
- 2 Monteer de luidspreker op de luidsprekersteun door gebruik te maken van de schroefgaten in de montagesteun.

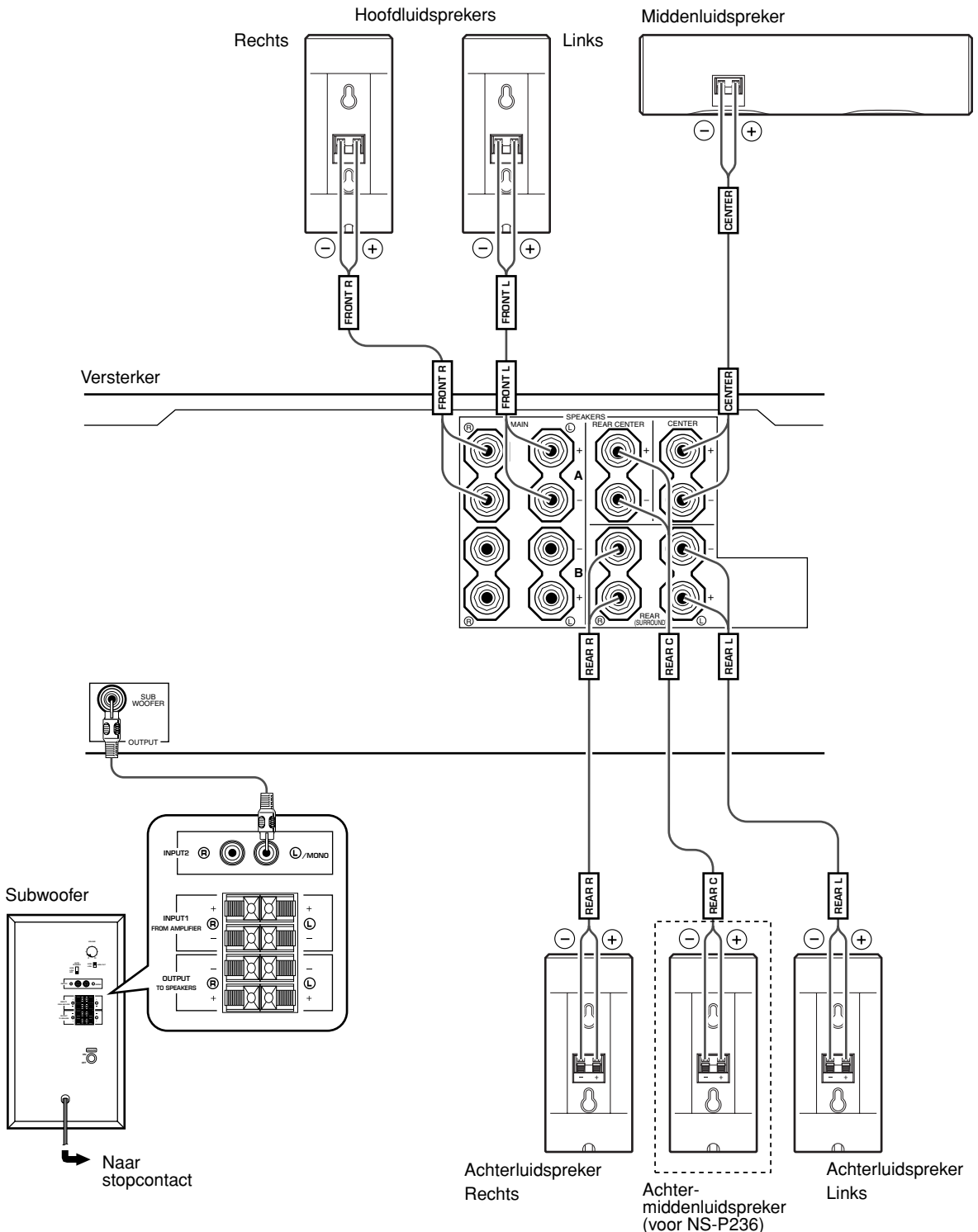
Opmerking




De montagesteun is voor elk van de luidsprekers bijgeleverd.

AANSLUITINGEN


Let op: De stekker van de subwoofer en overige audio/video componenten pas insteken nadat alle aansluitingen tot stand gebracht zijn.

■ Een voorbeeld van standaardaansluitingen



- Sluit de hoofd-, midden- en achterluidsprekers (en de achter-middenluidspreker voor NS-P236) aan op de luidsprekeruitgangsaansluitingen van uw versterker met behulp van de bijgeleverde luidsprekersnoeren.
 - * De bijgeleverde luidsprekersnoeren zijn voorzien van etiketten met de opschriften FRONT L, FRONT R, CENTER, REAR L, REAR R (en REAR C voor NS-P236). Sluit elk van de luidsprekersnoeren aan op de bijbehorende luidspreker volgens de afbeelding op pagina 7.
 - * Sluit elk van de luidsprekers aan en let er daarbij op dat de polariteit (+, -) van de luidsprekersnoeren correct is. Indien de luidspreker aangesloten wordt met omgekeerde polariteit zal het geluid onnatuurlijk klinken en zullen de lage tonen niet doorkomen.
 - * Alleen voor de hoofd- en achterluidsprekers: sluit een luidspreker aan op de linkeraansluitingen (aangeduid met L) van uw versterker, en de andere luidspreker op de rechteraansluitingen (aangeduid met R).
- Sluit in principe de subwoofer aan op de voorversterkeruitgangsaansluiting(en) (pin-uitgang) van de versterker. Als uw versterker niet voorzien is van een voorversterkeruitgangsaansluiting, de subwoofer op de luidsprekeruitgangsaansluitingen van de versterker aansluiten. (Zie pagina 9 voor details.)
 - * Verbind voor aansluiting op een YAMAHA DSP versterker (of AV-ontvanger), de aansluiting SUBWOOFER (of LOW PASS enz.) aan de achterzijde van de achterkant van de DSP-versterker (of AV-ontvanger) met de aansluiting /MONO INPUT2 van de subwoofer.
 - * Om de subwoofer aan te sluiten op de aansluitingen SPLIT SUBWOOFER op de achterkant van de DSP-versterker: sluit de beide aansluitingen aan op de linker  en rechter  INPUT2-aansluitingen van de subwoofer.

Opmerking

Bij aansluiting op een mono-voorversterker-uitgang van de versterker, aansluiten op de ingang /MONO INPUT2.

■ Aansluiten van de luidsprekersnoeren op de ingangs- en uitgangsaansluitingen van de luidsprekers

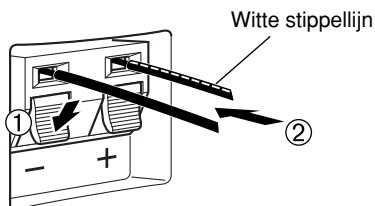
Houd bij het maken van de verbindingen de luidsprekerkabels zo kort mogelijk. Als de kabels te lang zijn, deze niet bij elkaar bundelen of oprollen. Als de verbindingen niet correct gemaakt worden, zal er geen geluid uit de luidsprekers komen.

Hoofd-/midden-/achterluidsprekers Achter-middenluidspreker (voor NS-P236)

De ene zijde van het bijgeleverde luidsprekersnoer is voorzien van een witte stippellijn en de andere zijde is niet voorzien van een lijn.

Sluit de (+) aansluitingen op zowel de luidspreker als de versterker aan met behulp van de zijde met de witte stippellijn. Sluit de (-) aansluitingen op beide componenten aan met behulp van de zijde zonder lijn.

Rood: positief (+)
Zwart: negatief (-)

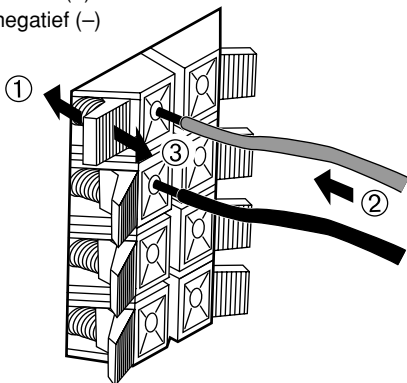


Subwoofer (INPUT1/OUTPUT-aansluitingen)

Gebruik de ene zijde van de draad voor het aansluiten van de (+) aansluitingen van de subwoofer en de versterker.

Gebruik de andere zijde van draad voor het aansluiten van de (-) aansluitingen van beide componenten.

Rood: positief (+)
Zwart: negatief (-)



Alvorens aan te sluiten

Verwijder de isolatie van het uiteinde van elk luidsprekersnoer.

Goed Niet goed



Aausluiting:

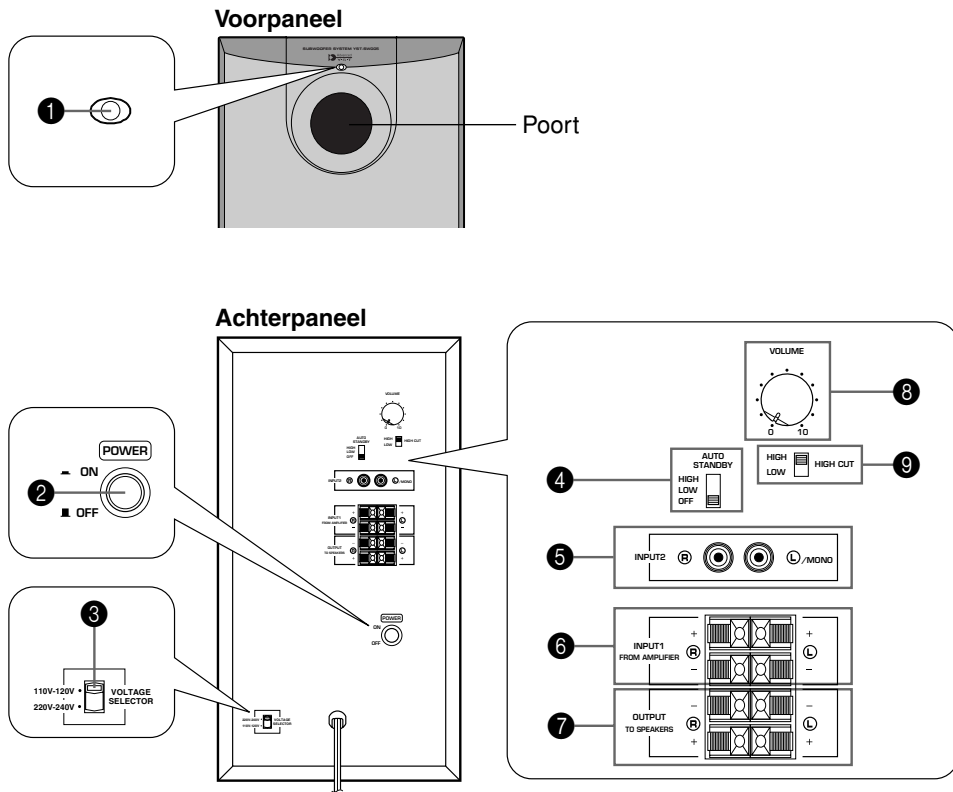
- ① Houd het vergrendellipje van de aansluiting ingedrukt zoals aangegeven in de afbeelding.
- ② Steek de blote draad in.
- ③ Haal uw vinger van het vergrendellipje zodat het draaduiteinde stevig wordt vastgezet.
- ④ Controleer of de aansluiting stevig vast zit door dichtbij de aansluiting lichtjes aan het snoer te trekken.

Opmerking

Zorg ervoor dat de blootgelegde luidsprekerkabels elkaar niet raken, aangezien daardoor de luidspreker of de versterker, of beide beschadigd kunnen worden.

GEBRUIK VAN DE SUBWOOFER (YST-SW005)

■ Regelaars en hun functies



1 Aan/uit-indicator
Licht groen op wanneer de **POWER**-schakelaar (**2**) in de stand ON gedrukt wordt en gaat uit wanneer deze in de stand OFF gezet wordt.

* Standbyfunctie

Als de **POWER**-schakelaar (**2**) in de stand ON gedrukt wordt en de **AUTO STANDBY**-schakelaar (**4**) in de stand HIGH of LOW gezet wordt, zal deze indicator ROOD oplichten wanneer geen signaal wordt ontvangen door de subwoofer.

2 **POWER**-schakelaar
Druk deze schakelaar in de stand ON om de stroomtoevoer van de subwoofer in te schakelen. Wanneer de stroomtoevoer van de subwoofer is ingeschakeld, zal de aan/uit-indicator (**1**) op het voorpaneel groen oplichten. Druk nogmaals op deze schakelaar om hem in de stand OFF te zetten en de stroomtoevoer van de subwoofer uit te schakelen.

3 **VOLTAGE SELECTOR** schakelaar
(Modellen voor China en Korea en Algemene modellen)
Als de vooringestelde stand van de schakelaar niet correct is, de schakelaar op het juiste spanningsbereik van uw woonplaats instellen (220V-240V of 110V-120V).

Raadpleeg uw dealer indien u niet zeker bent over de juiste instelling.

WAARSCHUWING

De stekker van de subwoofer losmaken alvorens de **VOLTAGE SELECTOR** schakelaar correct in te stellen.

4 **AUTO STANDBY (HIGH/LOW/OFF)**-schakelaar
Deze schakelaar staat oorspronkelijk in de stand OFF. Door deze schakelaar in de stand HIGH of LOW te zetten, functioneert de automatische in-/uitschakelfunctie van de subwoofer zoals uitgelegd op blz. 9. Indien u deze functie niet nodig heeft, de schakelaar in de stand OFF zetten.

* De instelling van deze schakelaar mag enkel worden veranderd wanneer de **POWER**-schakelaar (**2**) in de stand OFF staat.

5 **INPUT2**-aansluitingen
Gebruik deze aansluitingen voor ontvangst van lijnniveausignalen vanaf de versterker.

6 **INPUT1 (FROM AMPLIFIER)**-aansluitingen
Gebruik deze aansluitingen om de subwoofer te verbinden met de luidsprekeraansluitingen op de versterker.

7 **OUTPUT (TO SPEAKERS)**-aansluitingen
Kunnen worden gebruikt voor aansluiting op de hoofd-luidsprekers. De signalen van de aansluitingen **INPUT1** (**6**) worden naar deze aansluiting gezonden.

8 **VOLUME**-regelaar
Stelt het niveau van het volume af. Draai de regelaar rechtsom om het volume te verhogen en linksom om het volume te verlagen.

9 **HIGH CUT (HIGH/LOW)**-schakelaar
Stelt het punt in waarop de hoge frequenties worden afgekapt.
Normaal staat deze schakelaar op LOW, maar u kunt hem indien nodig ook op HIGH zetten. Zie pagina 12 en 13.

Automatische in-uitschakeling

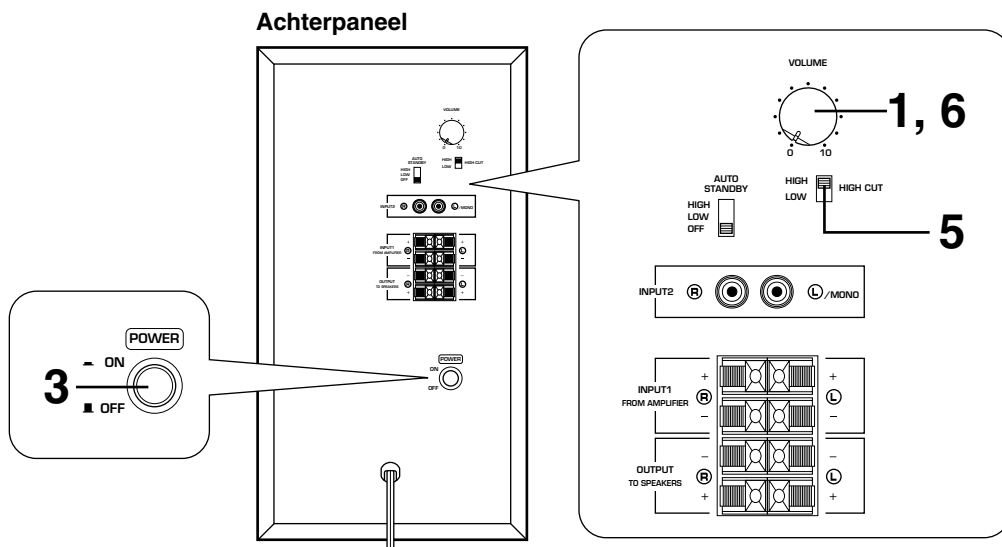
Als de weergegeven bron wordt gestopt en het ingangssignaal gedurende 7 tot 8 minuten wordt onderbroken, schakelt de subwoofer automatisch in standby. (Wanneer de subwoofer in standby wordt geschakeld door de automatische in-uitschakelfunctie, licht de spanningsindicator rood op.) Wanneer u opnieuw een bron weergeeft, wordt de spanning van de subwoofer automatisch ingeschakeld door de herkenning van de in de subwoofer ingevoerde signalen. Deze functie werkt door aftasting van een laagfrequent ingangssignaal van een bepaald niveau. Zet de **AUTO STANDBY**-schakelaar in de stand HIGH of LOW. Als u echter merkt dat het apparaat niet naar behoren wordt in-(ON) of uitgeschakeld (STANDBY), dient u de schakelaar op HIGH te zetten. In de HIGH stand zal de subwoofer worden ingeschakeld ook als het niveau van het ingangssignaal laag is. Het is echter mogelijk dat de subwoofer niet in de standbyfunctie wordt geschakeld in het geval van een ingangssignaal waarvan het niveau buitengewoon laag is.

- * Het kan soms gebeuren dat de stroomtoevoer onverwacht automatisch wordt ingeschakeld als gevolg van het opvangen van storing van andere apparatuur. Zet in een dergelijk geval de **AUTO STANDBY**-schakelaar in de stand OFF en schakel met de **POWER**-schakelaar de spanning handmatig in (ON) en uit (OFF).
- * Deze functie herkent de laagfrequente componenten van de ingangssignalen onder 200 Hz (d.w.z. een explosie in een actiefilm, het geluid van een basgitaar of basdrum, enz.).
- * De minuten die nodig zijn voordat de subwoofer in standby schakelt kunnen variëren als gevolg van storingen van andere apparatuur.

Deze functie is uitsluitend beschikbaar wanneer de stroomtoevoer van de subwoofer is ingeschakeld (door het indrukken van de POWER-schakelaar).

■ Afstelling van de subwoofer alvorens deze te gebruiken

Stel de subwoofer in alvorens deze te gebruiken, om zo de optimale volume- en toonbalans te verkrijgen tussen de subwoofer en de hoofduidsprekers, door de hieronder aangegeven procedure te volgen.



- 1** Zet de **VOLUME**-regelaar in de laagste stand (0).
- 2** Schakel de spanning van alle andere componenten in.
- 3** Druk de schakelaar in de stand ON
 - * De aan/uit-indicator op het voorpaneel licht groen op.
- 4** Geef een bron weer die laagfrequente componenten bevat en stel de volumeregelaar van de versterker in op het gewenste luisterniveau.
- 5** Zet de **HIGH CUT**-schakelaar in de stand LOW of HIGH.

Deze subwoofer is zo ontworpen dat de optimale toonbalans tussen de subwoofer en de hoofduidsprekers wordt verkregen wanneer deze schakelaar in de stand LOW staat. De toonbalans kan evenwel veranderen afhankelijk van de afmetingen van de kamer, de afstand van de subwoofer tot de hoofduidsprekers, enz. Zet de schakelaar indien nodig op HIGH.

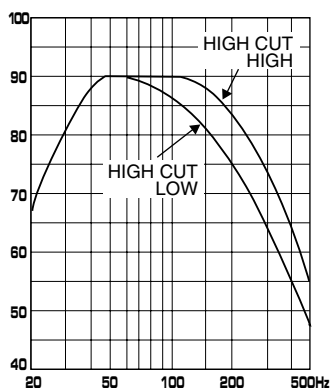
- 6** Draai het volume geleidelijk omhoog om de volumebalans tussen de subwoofer en de hoofduidsprekers af te stellen.

Normaal stelt u de regelaar in op een niveau waarop u een iets beter baseffect krijgt dan wanneer u dit toestel niet zou gebruiken. Als de gewenste respons niet kan worden verkregen, stelt u de **HIGH CUT**-schakelaar en de **VOLUME**-regelaar opnieuw in.

- Wanneer de volumebalans tussen de subwoofer en de hoofduidsprekers eenmaal is afgesteld, kunt u het volume van uw gehele geluidssysteem afstellen door gebruik te maken van de volumeregelaar van de versterker. Indien u echter de hoofduidsprekers (NX-230P) vervangt door andere luidsprekers, dan moet u deze afstelling opnieuw uitvoeren.
- Voor het instellen van de **VOLUME**-regelaar en de **HIGH CUT**-schakelaar, zie “Frequentiekenmerken” hierna.

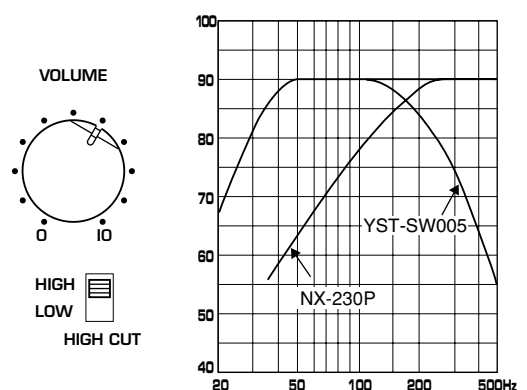
■ Frequentiekenmerken

Afb. 1 toont de frequentiekenmerken van de subwoofer in elke stand (HIGH/LOW) van de **HIGH CUT**-schakelaar.



Afb. 1

Afb. 2 toont het optimale volumeniveau met de **HIGH CUT**-schakelaar in de stand HIGH en de frequentiekenmerken wanneer de subwoofer wordt gecombineerd met de NX-230P.



Afb. 2

ADVANCED YAMAHA ACTIVE SERVO TECHNOLOGY (voor YST-SW005)

De theorie van de Yamaha Active Servo Technology is gebaseerd op twee belangrijke factoren, de Helmholtz resonator en negatieve impedantie aandrijving. Active Servo Processing luidsprekers geven de frequenties van de lage tonen weer via een "luchtwoofer", welke een kleine poort of opening is in de behuizing van de luidspreker. Deze opening wordt gebruikt in plaats van een woofer welke bij een conventioneel luidsprekersysteem de functies van een normale woofer uitvoert. Op deze wijze kunnen de signalen van een lage amplitude binnen in de behuizing, overeenkomstig de Helmholtz resonantie theorie via deze opening uitgevoerd worden in de vorm van golven van hoge amplitude, indien de grootte van de opening en het volume van de behuizing in een juiste verhouding zijn en voldoen aan een bepaalde formule.

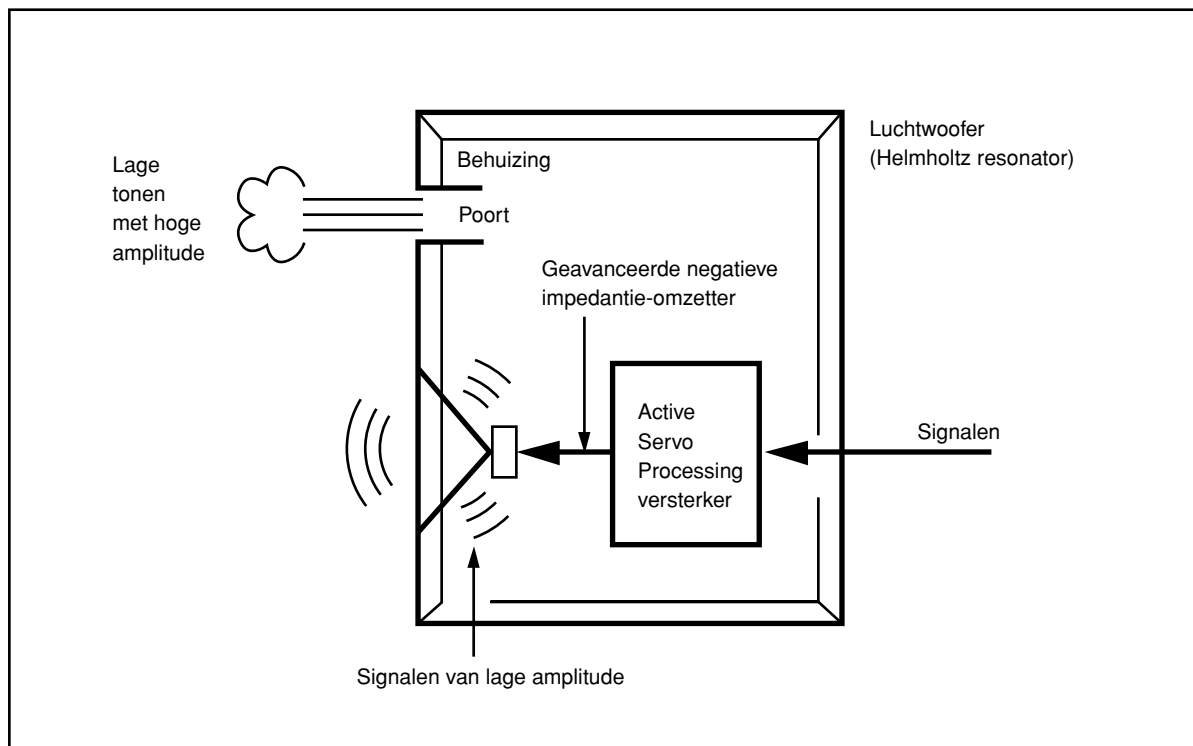
Teneinde dit te bewerkstelligen, dienen bovendien de amplitudes binnen in de behuizing zowel nauwkeurig als ook van voldoende vermogen te zijn, aangezien deze amplitudes bestand dienen te zijn tegen de "belasting" die gevormd wordt door de lucht die zich binnen in de behuizing bevindt.

Het is dan ook dit probleem dat opgelost wordt door de keuze van een nieuw ontwerp waarbij de versterker speciale signalen levert. Indien de elektrische weerstand van de toonsoel tot nul verminderd wordt, zal de beweging van de luidspreker-eenheid lineair worden ten opzichte van de signaalspanning. Om dit te bewerkstelligen, wordt er gebruik gemaakt van een speciale versterker met negatieve

impedantie uitgangssignaal-aandrijving voor het aftrekken van de uitgangssignaal-impedantie van de versterker. Door het gebruik van circuits voor negatieve impedantie uitgangssignaal-aandrijving, kan de versterker nauwkeurige lage amplitude en lage frequentie golven met superieure dempingskarakteristieken opwekken. Deze golven worden vervolgens vanuit de opening in de behuizing als signalen met hoge amplitude naar buiten gestraald. Het systeem is daardoor in staat door het gebruik van de versterker voor negatieve impedantie uitgangssignaal-aandrijving en de luidsprekerbehuizing met de Helmholtz resonator een buitengewoon breed bereik van frequenties met een verrassende geluidskwaliteit en minder vervorming weer te geven.

De hierboven aangegeven bijzonderheden vormen in combinatie de fundamentele structuur van de conventionele Yamaha Active Servo Technology.

Onze nieuwe actieve servo-technologie — Advanced Yamaha Active Servo Technology — omvat nu ook de Advanced Negative Impedance Converter (ANIC) circuits, waarmee een conventionele negatieve impedantie-omzetter dynamisch wordt aangepast om de optimale waarde voor de luidspreker-impedantie te kiezen. Met deze nieuwe ANIC circuits kan de Advanced Yamaha Servo Technology meer stabiele prestaties leveren en een betere geluidsdruk bereiken dan de conventionele Yamaha Active Servo Technology, voor een nog natuurlijker en meer dynamische basweergave.



STORINGZOEKEN

Zie onderstaande tabel in het geval dit apparaat niet correct functioneert. Als het probleem dat u ondervindt niet in onderstaande tabel is opgenomen of als de onderstaande instructies niet helpen, de stekker van het apparaat uit het stopcontact verwijderen en contact opnemen met uw officiële YAMAHA dealer of een reparatiedienst.

Probleem	Oorzaak	Maatregelen
Geen geluid.	De luidsprekerkabels zijn niet stevig aangesloten.	Sluit de kabels stevig aan.
Het geluidsniveau is te laag.	De luidsprekerkabels zijn niet correct aangesloten.	Sluit de kabels correct aan, d.w.z. L (links) op L, R (rechts) op R, "+" op "+" en "-" op "-".

voor YST-SW005

Probleem	Oorzaak	Maatregelen
Het apparaat krijgt geen spanning, hoewel de POWER-schakelaar in de stand ON is gezet.	De stekker van het netsnoer is niet goed aangesloten.	De stekker stevig aansluiten.
Geen geluid.	De VOLUME-regelaar is ingesteld op 0.	Draai de volumeregelaar naar rechts (met de klok mee).
	De luidsprekerkabels zijn niet stevig aangesloten.	Sluit de kabels stevig aan.
Het geluidsniveau is te laag.	De luidsprekerkabels zijn niet correct aangesloten.	Sluit de kabels correct aan, d.w.z. L (links) op L, R (rechts) op R, "+" op "+" en "-" op "-".
	Een brongeluid met weinig lage frequenties wordt weergegeven.	Geef een brongeluid met lage frequenties weer. Zet de HIGH CUT-schakelaar in de stand "HIGH".
	Er is invloed van staande golven.	Stel de subwoofer anders op of onderbreek het parallelle oppervlak door boekenplanken, enz. langs de muren te plaatsen.
De subwoofer wordt niet automatisch ingeschakeld.	De POWER-schakelaar is in de stand OFF gezet.	Zet de POWER-schakelaar in de stand ON.
	De AUTO STANDBY-schakelaar is in de stand OFF gezet.	Zet de AUTO STANDBY-schakelaar in de stand HIGH of LOW.
	Het niveau van het ingangssignaal is te laag.	De AUTO STANDBY-schakelaar is in de stand HIGH gezet.
De subwoofer wordt niet automatisch in standby geschakeld.	Er wordt een stoorsignaal van externe apparatuur, enz. opgepikt.	Zet de subwoofer verder van de betreffende apparatuur vandaan en/of verander de loop van de luidsprekerkabels. Of zet de AUTO STANDBY-schakelaar in de stand OFF.
	De AUTO STANDBY-schakelaar is in de stand OFF gezet.	De AUTO STANDBY-schakelaar is in de stand HIGH gezet.
De subwoofer wordt plotseling op de standbyfunctie ingesteld.	Het niveau van het ingangssignaal is te laag.	De AUTO STANDBY-schakelaar is in de stand HIGH gezet.
De subwoofer wordt plotseling ingeschakeld.	Er wordt een stoorsignaal van externe apparatuur, enz. opgepikt.	Zet de subwoofer verder van de betreffende apparatuur vandaan en/of verander de loop van de luidsprekerkabels. Of zet de AUTO STANDBY-schakelaar in de stand OFF.

SPECIFICATIES

■ NX-230P, NX-C230

Type Full-range akoestisch-suspensie
luidsprekersysteem
Type met magnetische afscherming

Driver Full-range conusluidspreker van 5 cm x 2

Nominaal ingangsvermogen 30W

Maximaal ingangsvermogen 100W

Impedantie 6Ω

Frequentiebereik

<NX-230P> 100 Hz tot 30 kHz

<NX-C230> 75 Hz tot 30 kHz

Gevoeligheid 86 dB/2,83W/m

Afmetingen (L x H x B)

<NX-230P> 72 mm x 164 mm x 111 mm

<NX-C230> 300 mm x 72 mm x 110 mm

Gewicht

<NX-230P> 0,9 kg

<NX-C230> 1,1 kg

■ YST-SW005

Type Advanced Yamaha Active Servo Technology
Type met magnetische afscherming

Driver 16 cm konus-woofer

Versterker-uitgangsvermogen

Modellen voor U.S.A. en Canada 55W/5Ω

Overige modellen 50W/5Ω

Frequentiebereik 30 Hz tot 200 Hz

Spanningsvereisten

Modellen voor U.S.A. en Canada

..... 120V, 60 Hz wisselstroom

Modellen voor Groot-Brittannië en Europa

..... 230V, 50 Hz wisselstroom

Modellen voor Australië 240V, 50 Hz wisselstroom

Modellen voor China en Korea en algemene modellen

..... 110-120/220-240V, 50/60 Hz wisselstroom

Stroomverbruik 60W
(in de standby functie: 0,8 W)

Afmetingen (L x H x B) 200 mm x 365 mm x 375 mm


Gewicht 8,5 kg

* Alle specificaties zijn onder voorbehoud en kunnen
zondere nadere kennisgeving worden gewijzigd.



YAMAHA ELECTRONICS CORPORATION, USA 6660 ORANGETHORPE AVE., BUENA PARK, CALIF. 90620, U.S.A.
YAMAHA CANADA MUSIC LTD. 135 MILNER AVE., SCARBOROUGH, ONTARIO M1S 3R1, CANADA
YAMAHA ELECTRONIK EUROPA G.m.b.H. SIEMENSSTR. 22-34, 25462 RELLINGEN, BEI HAMBURG, F.R. OF GERMANY
YAMAHA ELECTRONIQUE FRANCE S.A. RUE AMBROISE CROIZAT BP70 CROISSY-BEAUBOURG 77312 MARNE-LA-VALLEE CEDEX02, FRANCE
YAMAHA ELECTRONICS (UK) LTD. YAMAHA HOUSE, 200 RICKMANSWORTH ROAD WATFORD, HERTS WD1 7JS, ENGLAND
YAMAHA SCANDINAVIA A.B. J A WETTERGRENS GATA 1, BOX 30053, 400 43 VASTRA FRÖLUNDA, SWEDEN
YAMAHA MUSIC AUSTRALIA PTY, LTD. 17-33 MARKET ST., SOUTH MELBOURNE, 3205 VIC., AUSTRALIA

YAMAHA CORPORATION

Printed in China 

V955950