

**SPEAKER BRACKET / SUPPORT D'ENCEINTE / SOPORTE DE ALTAVOZ
КРЕПЛЕНИЕ ДЛЯ АКУСТИЧЕСКОЙ СИСТЕМЫ
音箱支架 / スピーカーブラケット**

UB-DXRDHR12

UB-DXRDHR10

EN	Owner's Manual
DE	Benutzerhandbuch
FR	Mode d'emploi
ES	Manual de instrucciones
PT	Manual do Proprietário
IT	Manuale di istruzioni
RU	Руководство пользователя
ZH-CN	使用说明书
ZH-TW	使用說明書
KO	사용 설명서
JA	取扱説明書

Contents

Introduction	2	Installation Instructions	4
PRECAUTIONS	2	Specifications	46
Package Contents	3	Dimensions	47
Check Before Installation	3		

Introduction

Thank you for purchasing the Yamaha UB-DXR12 or UB-DXR10 U-BRACKET. This product is a bracket designed for use in installation of the following Yamaha speakers:

UB-DXR12: DXR12, DHR12, CHR12

UB-DXR10: DXR10, DHR10, CHR10

This manual explains how installation personnel can attach a speaker to the bracket and install the speaker on a wall or ceiling.

Please read this manual thoroughly before you begin using this product. After reading this manual, please keep it available for future reference.

- In this manual, DXR12 and DXR10 speakers are referred to as "DXR," DHR12 and DHR10 speakers as "DHR," and CHR12 and CHR10 speakers as "CHR."

PRECAUTIONS

PA_en_14

PLEASE READ CAREFULLY BEFORE PROCEEDING

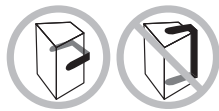
Please keep this manual in a safe place for future reference.

WARNING

Always follow the basic precautions listed below to avoid the possibility of serious injury or even death from electrical shock, short-circuiting, damages, fire or other hazards. These precautions include, but are not limited to, the following:

Setting

- When mounting on a wall, do not use the bracket vertically or at an angle to the ground. Otherwise, the speaker weight may cause the bracket to bend.
- Do not attach this product to any speaker not specified as compatible. Doing so may result in damage or injury.



- Avoid locations that are exposed to constant vibration.
- Use the required tools to install the product.
- Use bolts and nuts as well as washers for installation and tighten them firmly so that the speaker is secure and does not move.
- Always loosen the corresponding screw before adjusting the angle or direction of the speaker. Never force this adjustment with the screw still tightened.
- Inspect the product periodically.

Improper installation might cause accidents, injuries, damage or malfunction of this product.

- Keep this product out of reach of children. Do not handle this product in locations where children are likely to be present.
- Do not place the product in a location where it may come into contact with corrosive gases or salt air. Otherwise, certain parts might deteriorate, causing the speaker to fall.

Do not modify

- Do not attempt to modify the product. Doing so can result in damage or injury.

Handling caution

- Do not apply excessive force to this product. Otherwise, it might deform, causing the speaker to fall.

CAUTION

Always follow the basic precautions listed below to avoid the possibility of physical injury to you or others. These precautions include, but are not limited to, the following:

Setting

- Always consult qualified Yamaha service personnel if the product installation requires construction work, and make sure to observe the following precautions.
 - Choose mounting hardware and an installation location that can support the weight of the product.

■ About this manual

- The illustrations as shown in this manual are for instructional purposes only.
- The company names and product names in this manual are the trademarks or registered trademarks of their respective companies.

■ About disposal

- This product contains recyclable components. When disposing of this product, please contact the appropriate local authorities.

Package Contents

● Brackets × 2

● Parts bags × 3

Use two of these.


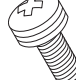


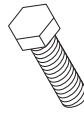
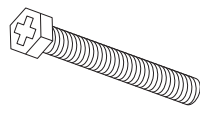
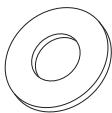

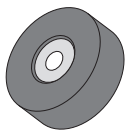
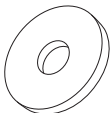
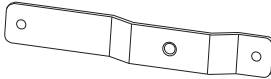
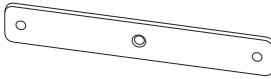
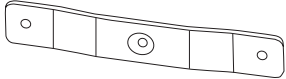
● Owner's Manual
(this book)



Required.

Select one with the name of the speaker you are using.
For the CHR, select "FOR DHR."

Parts bag contents

FOR DXR & DHR	FOR DXR	FOR DHR (CHR)
M5×10 screws with flat washer and spring washer × 4 	M5×16 screws with flat washer and spring washer × 2 	M8×35 hexagon bolts with flat washer and spring washer × 4 
M8 spring washers × 2 	M8×25 hexagon bolts × 2 	M8×55 hexagon bolts × 2 
M8 flat washers × 2 	Rubber spacers (∅50 mm, 10 mm thickness) × 2 	Rubber spacers (∅50 mm, 18 mm thickness) × 2 
Spacers, 3.2 mm thickness × 2 	Bottom plate × 1 For DXR10  ----- For DXR12 	Bottom plate × 1 

Check Before Installation

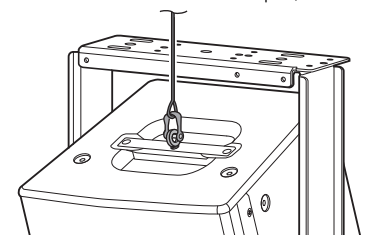
Fittings, bolts, and other items for installing the bracket to a wall or ceiling are not included. If you are not sure what fittings to use, consult a specialist.



CAUTION

- Make sure that the installation surface is strong enough to support the total weight of the speaker and the U-bracket. If you are not sure about the installation surface, consult a specialist. Avoid attaching the U-bracket to drywall such as acoustic tiles.
- Be sure to take precautionary measures by using safety wires to prevent the speaker from falling in the event of an installation failure. To install safety wires, attach commercially-available eye bolts to the M8 screw holes for the U-bracket, and to the M10 screw holes for eye bolts (M8 on the DXR10) that are located on the top panel (two locations) and on the rear panel (one location) on the speaker. For the DHR and CHR, use eye bolts 30–50 mm in length.
- When installing the safety wire to the wall, install it higher than the wire's attachment point on the speaker, with as little slack as possible. If the wire is too long, and the speaker happens to fall, the wire may snap as a result of too much strain.

Example, DHR10



Yamaha cannot be held responsible for damage or injury caused by insufficient strength of the support structure or improper installation.

Installation Instructions

You can install the speaker either vertically or horizontally on a wall or ceiling.



CAUTION
Make sure that you do not pinch your fingers between the U-bracket and speaker.

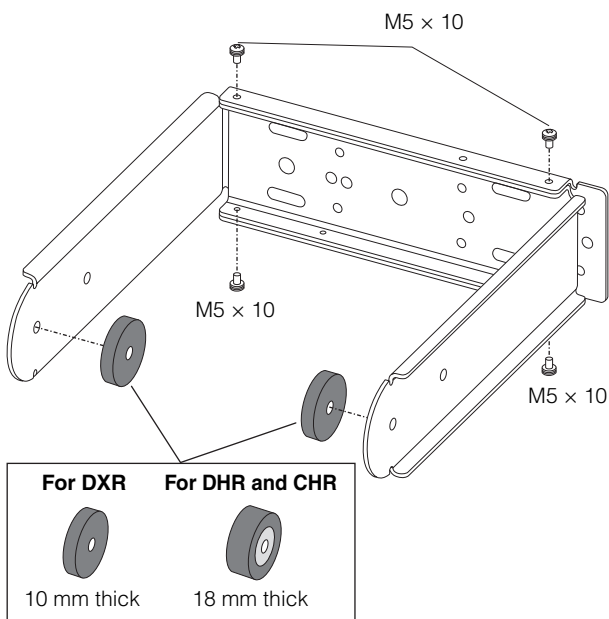
NOTE

(DHR, CHR only) Carefully store the screws removed from the speaker so that they are not lost. Using the speaker with the screws removed will negatively affect sound quality due to air leakage because the screw holes penetrate the inside of the speaker cabinet. Re-install the screws to the original screw holes after removing the U-bracket.

Unless otherwise noted, explanations in this manual are based on an example of installing the DXR10 speaker to the UB-DXRDR10.

Vertical installation

- Assemble two L-shaped brackets into a U-shape using the included M5 × 10 screws as shown in the figure below. Peel off the sheet from each rubber spacer, and then attach the spacers to the inside of each bracket arm by aligning the holes so that the hexagon bolts can be inserted.



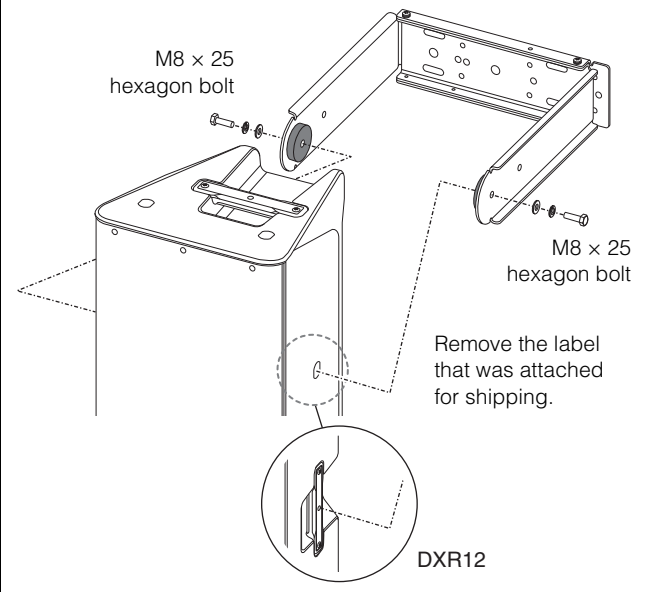
- Make sure that the width of the U-bracket matches the speaker width.
- Affix the U-bracket on the wall or ceiling using appropriate metal brackets and bolts. These metal brackets or bolts are not included in the package. If you are not sure what to use to affix the U-bracket, consult a specialist.

- As shown in the illustration below, attach the speaker to the U-bracket using the appropriate parts for the speaker model.

DXR	M8 × 25 hexagon bolts, M8 spring washers, M8 flat washers
DHR, CHR	M8 × 55 hexagon bolts, M8 spring washers, M8 flat washers

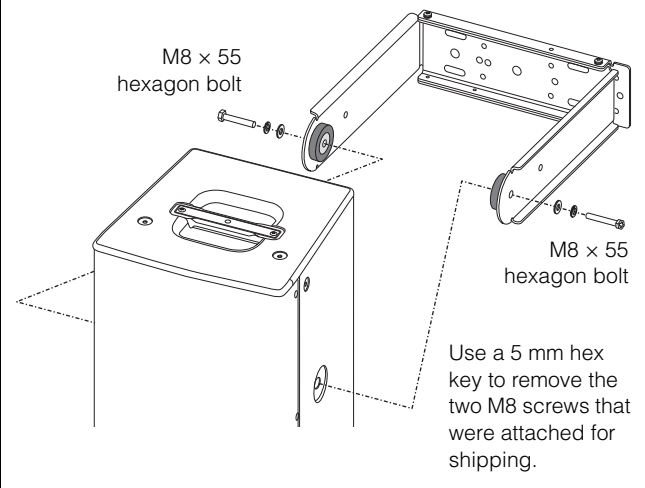
DXR

Use the bolt hole on each side of the speaker. For the DXR12, use the bolt hole located in the center of the handle on each side of the speaker.



DHR, CHR

Use the bolt hole on each side of the speaker.



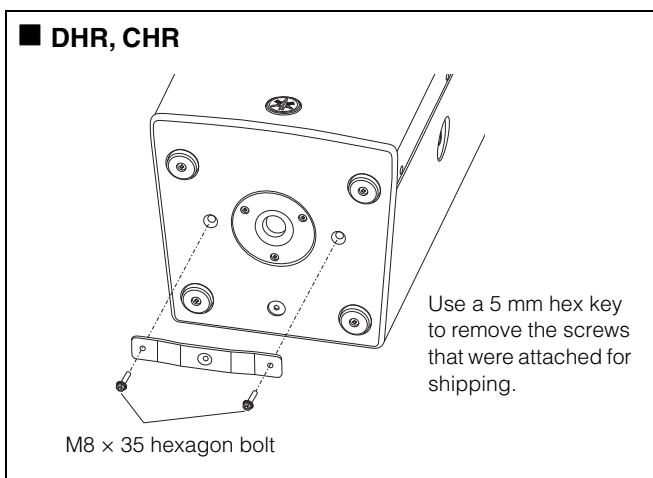
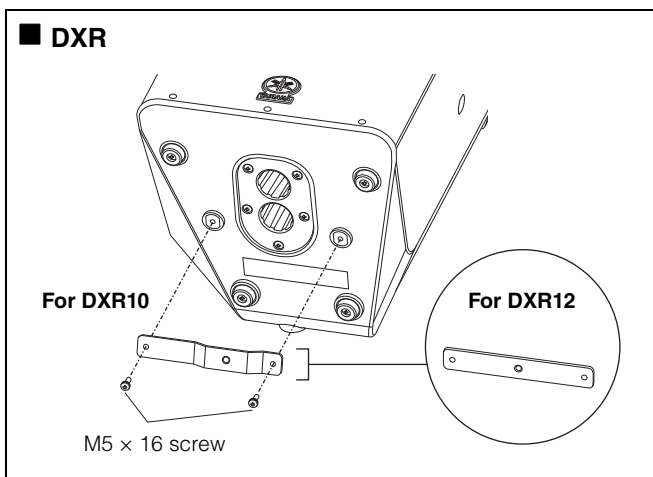
- Adjust the speaker angle, then tighten the bolts until the speaker is securely affixed. The recommended torque is 12.4 Nm.

Horizontal Installation

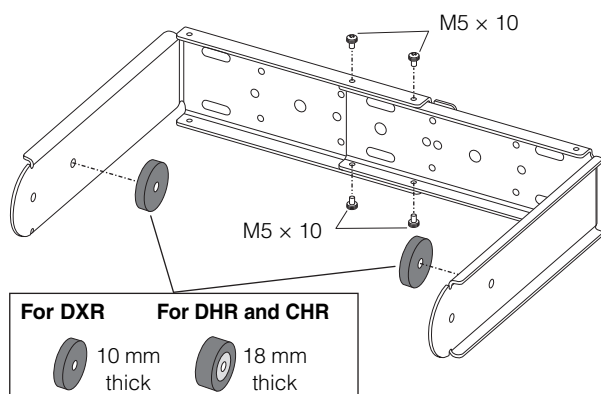
- As shown in the illustration below, attach the bottom plate to the bottom of the speaker using the appropriate parts for the speaker model.

DXR	M5 × 16 screws
DHR, CHR	M8 × 35 hexagon bolts

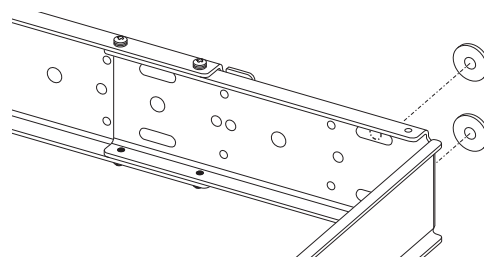
The recommended torque is 3 Nm for DXR, and 12.4 Nm for DHR and CHR.



- Assemble two L-shaped brackets into a U-shape using the included M5 × 10 screws as shown in the figure below. Peel off the sheet from each rubber spacer, and then attach the spacers to the inside of each bracket arm by aligning the holes so that the hexagon bolts can be inserted.

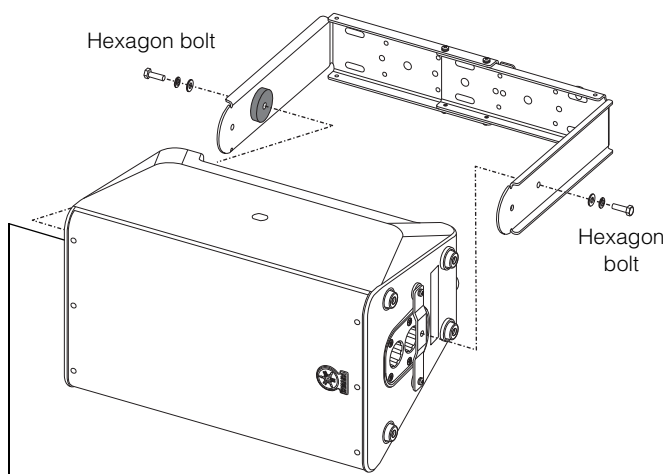


- Make sure that the width of the U-bracket matches the speaker width.
- Affix the U-bracket on the wall or ceiling using appropriate metal brackets and bolts. There will be a slight gap between the U-bracket and the wall surface. Insert spacers into the gap and affix them with bolts. These metal brackets or bolts are not included in the package. If you are not sure what to use to affix the U-bracket, consult a specialist.



- As shown in the illustration below, attach the speaker to the U-bracket using the appropriate parts for the speaker model.

DXR	M8 × 25 hexagon bolts, M8 spring washers, M8 flat washers
DHR, CHR	M8 × 35 hexagon bolts



Use the following location on the top panel of the speaker for installation.

DXR10, DHR, CHR	DXR12
Bolt hole in the center of the handle	Bolt hole on the speaker unit handle

- Adjust the speaker angle, then tighten the bolts until the speaker is securely affixed. The recommended torque is 12.4 Nm.

Specifications / 技术规格 / 规格

	UB-DXRDR12	UB-DXRDR10
Material / 材料 / 材質	Steel / 钢 / 鋼	Steel / 钢 / 鋼
Net Weight / 淨重 / 淨重	5.9 kg	4.4 kg

- * The contents of this manual apply to the latest specifications as of the publishing date. To obtain the latest manual, access the Yamaha website then download the manual file.
- * Der Inhalt dieser Bedienungsanleitung gilt für die neuesten technischen Daten zum Zeitpunkt der Veröffentlichung. Um die neueste Version der Anleitung zu erhalten, rufen Sie die Website von Yamaha auf und laden Sie dann die Datei mit der Bedienungsanleitung herunter.
- * Le contenu de ce mode d'emploi s'applique aux dernières caractéristiques techniques connues à la date de publication du manuel. Pour obtenir la version la plus récente du manuel, accédez au site Web de Yamaha puis téléchargez le fichier du manuel concerné.
- * El contenido de este manual se aplica a las últimas especificaciones según la fecha de publicación. Para obtener el último manual, acceda al sitio web de Yamaha y descargue el archivo del manual.
- * O conteúdo deste manual se aplica às especificações mais recentes a partir da data de publicação. Para obter o manual mais recente, acesse o site da Yamaha e faça o download do arquivo do manual.
- * Il contenuto del presente manuale si applica alle ultime specifiche tecniche a partire dalla data di pubblicazione. Per ottenere la versione più recente del manuale, accedere al sito Web Yamaha e scaricare il file corrispondente.
- * В содержании данного руководства приведены последние на момент публикации технические характеристики. Для получения последней версии руководства посетите веб-сайт корпорации Yamaha и загрузите файл с руководством.
- * 本使用说明书的内容为出版时最新的技术规格。请至Yamaha网站下载最新版本的使用说明书。
- * 本使用說明書的內容為出版時最新的技術規格。請至Yamaha網站下載最新版本的使用說明書。
- * 본 설명서의 내용은 발행일 현재 최신 사양을 기준으로 하고 있습니다. 최신 설명서를 가져오려면 Yamaha 웹사이트에 접속후 해당 설명서 파일을 다운로드 받으십시오.
- * 本書は、発行時点での最新仕様で説明しています。最新版は、ヤマハウェブサイトからダウンロードできます。

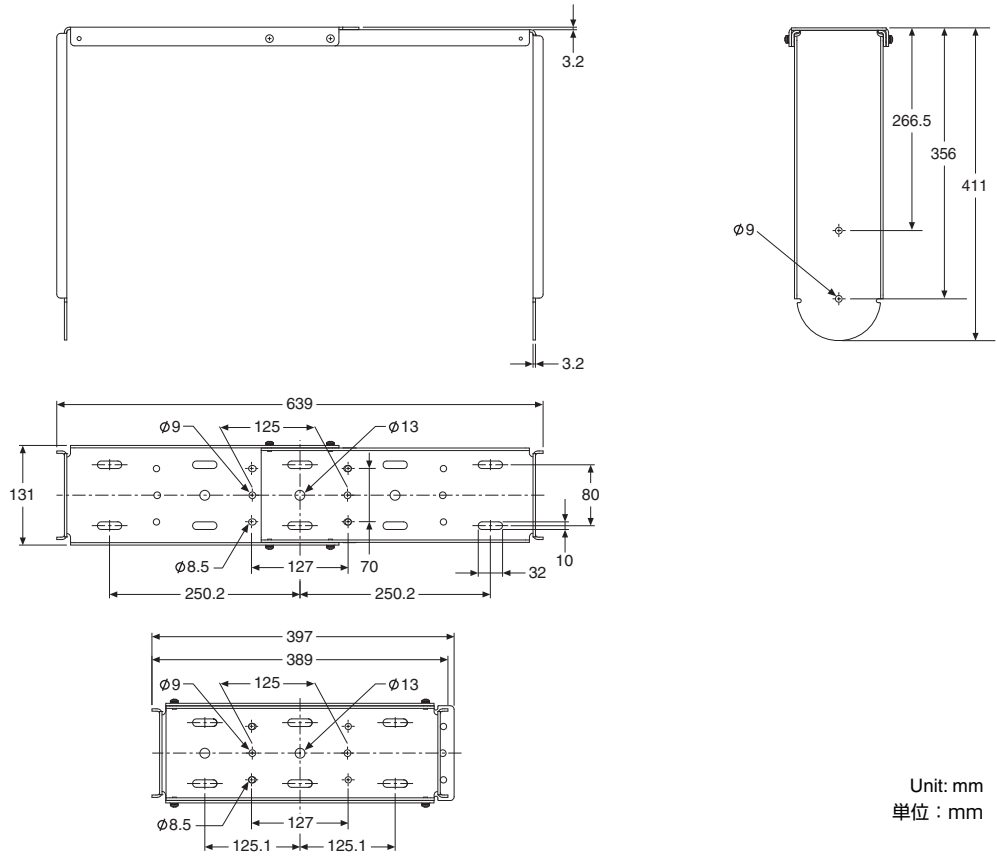
-
- * You can also use the U-bracket along with an optional bracket that is sold separately. Please visit the following Yamaha Pro Audio site for more information on the products:
 - * Der U-Montagebügel kann ebenfalls mit einer optionalen, separat erhältlichen Halterung eingesetzt werden. Weitere Informationen finden sich auf der folgenden Yamaha Pro Audio Website:
 - * Vous pouvez aussi utiliser la lyre en combinaison avec un support disponible en option. Veuillez surfer sur le site internet Yamaha Pro Audio suivant pour plus de renseignements sur ces produits.
 - * También puede utilizar la abrazadera en U junto con una abrazadera opcional que se vende por separado. Visite el siguiente sitio web de Yamaha Pro Audio para más información sobre los productos:
 - * Você também pode usar o suporte em U junto com um suporte opcional vendido separadamente. Visite o seguinte site da Yamaha Pro Audio para obter mais informações sobre os produtos:
 - * È inoltre possibile usare la staffa a U insieme a una staffa opzionale venduta separatamente. Per ulteriori informazioni sui prodotti, visitare il seguente sito Yamaha Pro Audio:
 - * Вы можете также использовать U-образный кронштейн вместе с дополнительным кронштейном, который продается отдельно. Посетите следующий сайт Yamaha Pro Audio для получения более подробной информации об изделиях:
 - * 您还可以同时使用U型支架和另售的选配支架。更多产品信息，请访问以下Yamaha Pro Audio网站：
 - * 您也可以將U型機架搭配另售的選配機架使用。有關產品的更多資訊，請造訪以下Yamaha Pro Audio網站：
 - * 별매인 옵션 브래킷과 함께 U자형 브래킷을 사용할 수도 있습니다. 제품에 대한 자세한 정보는 아래 Yamaha Pro 오디오 사이트를 방문해 주십시오.
 - * Uブラケットは、別売のオプションブラケットと組み合わせて使用できます。製品情報は下記のヤマハプロオーディオサイトをご覧ください。



<https://www.yamahaproaudio.com/>

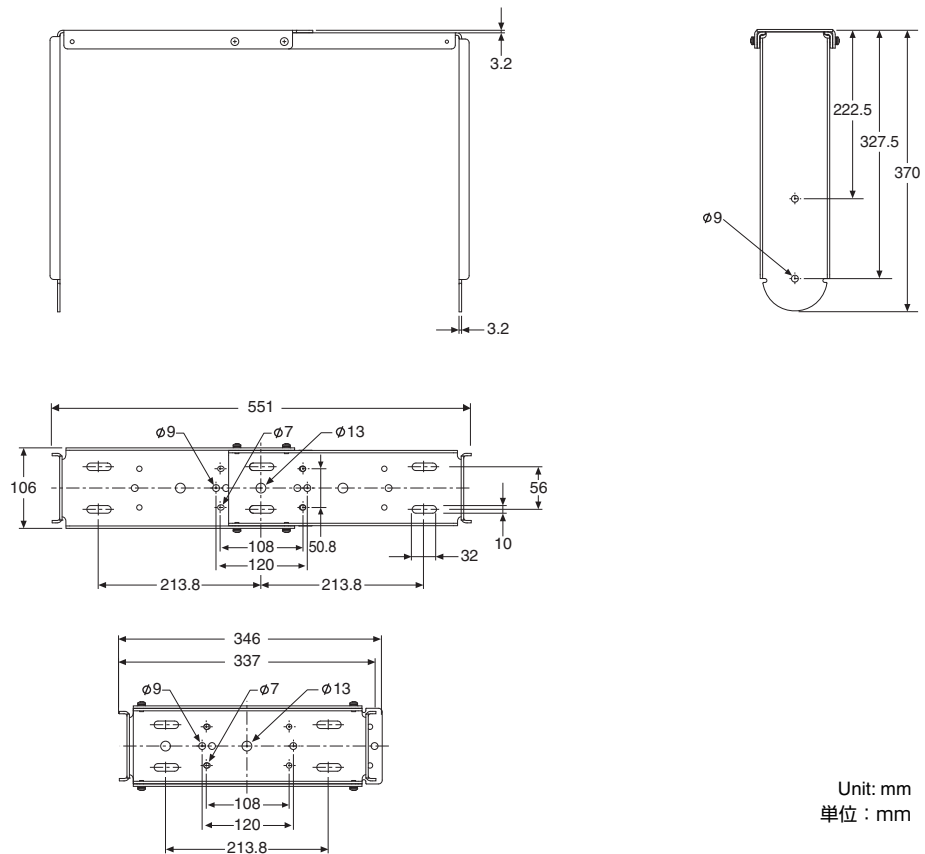
Dimensions / 外形尺寸 / 尺寸

■ UB-DXRDR12



Unit: mm
单位: mm

■ UB-DXRDR10



Unit: mm
单位: mm

Yamaha Worldwide Representative Offices

English

For details on the product(s), contact your nearest Yamaha representative or the authorized distributor, found by accessing the 2D barcode below.

Deutsch

Wenden Sie sich für nähere Informationen zu Produkten an eine Yamaha-Vertretung oder einen autorisierten Händler in Ihrer Nähe. Diese finden Sie mithilfe des unten abgebildeten 2D-Strichodes.

Français

Pour obtenir des informations sur le ou les produits, contactez votre représentant ou revendeur agréé Yamaha le plus proche. Vous le trouverez à l'aide du code-barres 2D ci-dessous.

Español

Para ver información detallada sobre el producto, contacte con su representante o distribuidor autorizado Yamaha más cercano. Lo encontrará escaneando el siguiente código de barras 2D.

Italiano

Per dettagli sui prodotti, contattare il rappresentante Yamaha o il distributore autorizzato più vicino, che è possibile trovare tramite il codice a barre 2D in basso.

Português

Para mais informações sobre o(s) produto(s), fale com seu representante da Yamaha mais próximo ou com o distribuidor autorizado acessando o código de barras 2D abaixo.

Русский

Чтобы узнать подробнее о продукте (продуктах), свяжитесь с ближайшим представителем или авторизованным дистрибьютором Yamaha, воспользовавшись двухмерным штрихкодом ниже.

简体中文

如需有关产品的详细信息，请联系距您最近的Yamaha代表或授权经销商，可通过访问下方的2D条形码找到这些代表或经销商的信息。

繁體中文

如需產品的詳細資訊，請聯絡與您距離最近的Yamaha銷售代表或授權經銷商，您可以掃描下方的二維條碼查看相關聯絡資料。

한국어

제품에 대한 자세한 정보는 아래 2D 바코드에 액세스하여 가까운 Yamaha 담당 판매점 또는 공식 대리점에 문의하십시오.



https://manual.yamaha.com/pa/address_list/

Head Office/Manufacturer: Yamaha Corporation 10-1, Nakazawa-cho, Chuo-ku, Hamamatsu, 430-8650, Japan
Importer (European Union): Yamaha Music Europe GmbH Siemensstrasse 22-34, 25462 Rellingen, Germany
Importer (United Kingdom): Yamaha Music Europe GmbH (UK) Sherbourne Drive, Tilbrook, Milton Keynes, MK7 8BL, United Kingdom

PA61

雅马哈乐器音响（中国）投资有限公司

上海市静安区新闻路1818号云和大厦2楼

客户服务热线：4000517700

公司网址：<https://www.yamaha.com.cn>

厂名：雅马哈电子（苏州）有限公司

厂址：江苏省苏州市苏州新区鹿山路18号

Yamaha Pro Audio global website
<https://www.yamahaproaudio.com/>

Yamaha Downloads
<https://download.yamaha.com/>

© 2024 Yamaha Corporation
Published 01/2024
2024年1月发行
IPES-A0



VHA5230