

# *NX-B02*

---

---

*BLUETOOTH WIRELESS SPEAKER SYSTEM  
SYSTEME D'ENCEINTES SANS FIL BLUETOOTH*

**OWNER'S MANUAL  
MODE D'EMPLOI  
BEDIENUNGSANLEITUNG  
BRUKSANVISNING  
MANUALE DI ISTRUZIONI  
MANUAL DE INSTRUCCIONES  
GEBRUIKSAANWIJZING  
ИНСТРУКЦИЯ ПО ЭКСПЛУАТАЦИИ**

# CAUTION: Read this before operating your unit.

To assure the finest performance, please read this manual carefully. Keep it in a safe place for future reference.

- 1 Install this unit in a well ventilated, cool, dry, clean place - away from direct sunlight, heat sources, vibration, dust, moisture, and/or cold. (Do not use/keep this unit in a car etc.)
- 2 Locate this unit away from other electrical appliances, motors, or transformers to avoid humming sounds.
- 3 Do not expose this unit to sudden temperature changes from cold to hot, and do not locate this unit in an environment with high humidity (i.e. a room with a humidifier) to prevent condensation inside this unit, which may cause an electrical shock, fire, damage to this unit, and/or personal injury.
- 4 Avoid installing this unit where foreign objects may fall onto this unit and/or this unit may be exposed to liquid dripping or splashing. On the top of this unit, do NOT place:
  - Other components, as they may cause damage and/or discoloration on the surface of this unit.
  - Burning objects (i.e. candles), as they may cause fire, damage to this unit, and/or personal injury.
  - Containers with liquid in them, as they may fall and liquid may cause electrical shock to the user and/or damage to this unit.
- 5 Do not cover this unit with a newspaper, tablecloth, curtain, etc. in order not to obstruct heat radiation. If the temperature inside this unit rises, it may cause fire, damage to this unit, and/or personal injury.
- 6 Do not plug this unit into an AC wall outlet until all connections are complete.
- 7 Do not operate this unit upside-down. They may overheat, possibly causing damage.
- 8 Do not use force on switches, knobs, and/or cords.
- 9 When disconnecting the AC adaptor from the wall outlet, grasp the AC adaptor; do not pull the cord.
- 10 Do not clean this unit with chemical solvents; this might damage the finish. Use a clean, dry cloth.
- 11 Only the voltage specified on this unit must be used. Using this unit with a higher voltage than specified is dangerous and may cause fire, damage to this unit, and/or personal injury. Yamaha will not be held responsible for any damage resulting from use of this unit with a voltage other than that specified.
- 12 Do not attempt to modify or fix this unit. Contact qualified Yamaha service personnel when any service is needed. The cabinet should never be opened for any reason.
- 13 When not planning to use this unit for long periods of time (i.e. when going on vacation), disconnect the AC adaptor from the AC wall outlet.
- 14 Be sure to read the "Troubleshooting" section regarding common operating errors before concluding that the unit is faulty.
- 15 Before moving this unit, press  $\phi$  to set this unit to off, and disconnect the AC adaptor from the wall outlet.
- 16 Be sure to use the AC adaptor supplied with this unit. Using an AC adaptor other than the one provided may cause fire or damage to this unit.
- 17 Install this unit near the wall outlet and where the AC adaptor can be reached easily.
- 18 For added protection for this product during a lightning storm, or when it is left unattended and unused for long periods of time, unplug it from the wall outlet. This will prevent damage to the product due to lightning and power-line surges.
- 19 The batteries shall not be exposed to excessive heat such as sunshine, fire or the like.

This unit features a magnetically shielded design, but there is still a chance that placing it too close to a TV set might impair picture color. Should this happen, move this unit away from the TV set.

Do not use this unit within 22 cm (9 inches) of persons with a heart pacemaker implant or defibrillator implant.

## WARNING

TO REDUCE THE RISK OF FIRE OR ELECTRIC SHOCK, DO NOT EXPOSE THIS UNIT TO RAIN OR MOISTURE.

This unit is not disconnected from the AC power source as long as it is connected to the wall outlet, even if this unit itself is turned off. In this state, this unit is designed to consume a very small quantity of power.



This symbol mark is according to the EU directive 2002/96/EC.

This symbol mark means that electrical and electronic equipment, at their end-of-life, should be disposed of separately from your household waste.

Please act according to your local rules and do not dispose of your old products with your normal household waste.

The user shall not reverse engineer, decompile, alter, translate or disassemble the software used in this unit, whether in part or in whole. For corporate users, employees of the corporation itself as well as its business partners shall observe the contractual bans stipulated within this clause. If the stipulations of this clause and this contract cannot be observed, the user shall immediately discontinue using the software.

## ■ Special Instructions for U.K. Model

If the socket outlets in the home are not suitable for the plug supplied with this appliance, it should be cut off and an appropriate 3 pin plug fitted. For details, refer to the instructions described below.

### Note

The plug severed from the mains lead must be destroyed, as a plug with bared flexible cord is hazardous if engaged in a live socket outlet.

### IMPORTANT

THE WIRES IN MAINS LEAD ARE COLOURED IN ACCORDANCE WITH THE FOLLOWING CODE:

Blue: NEUTRAL

Brown: LIVE

As the colours of the wires in the mains lead of this apparatus may not correspond with the coloured markings identifying the terminals in your plug, proceed as follows:

The wire which is coloured BLUE must be connected to the terminal which is marked with the letter N or coloured BLACK.

The wire which is coloured BROWN must be connected to the terminal which is marked with the letter L or coloured RED.

Making sure that neither core is connected to the earth terminal of the three pin plug.

We, the manufacturer Yamaha hereby declare that the NX-B02 is in compliance with the essential requirements and other relevant provisions of Directive 1999/5/EC.

Vi, tillverkaren Yamaha, betygar härmed att NX-B02 är i överensstämmelse med de erforderliga krav och andra tillämpliga bestämmelser som anges i direktivet 1999/5/EC.

Noi, il fabbricante Yamaha, con questo dichiariamo che NX-B02 si trova in osservanza dei requisiti essenziali e delle altre normative pertinenti della direttiva 1999/5/EC.

Nosotros, el fabricante Yamaha, declaramos por el presente testamento que el NX-B02 cumple con los requisitos esenciales y otras provisiones pertinentes de la Directiva 1999/5/EC.

Yamaha verklaart hierbij dat de NX-B02 voldoet aan de essentiële vereisten en andere relevante voorzieningen van Richtlijn 1999/5/EC.



# Introduction

## ◆ 2 way power supply

You can choose one of two power supplies according to your usage circumstances: AC adaptor or batteries.

## ◆ The Bluetooth wireless technology

By the Bluetooth technology, you can enjoy clear sound without wire connections.

## ◆ Real stereo sound

The high quality amplifier, titanium diaphragm and Yamaha's unique SR-Bass technology achieve high quality sound.

## ◆ PowerStorage™ circuit (High 20 W power)

Yamaha's original power technology enables an impressive 20 W output (Max. Instantaneous Power).

## ■ Supplied accessory

AC adaptor (DC 12 V, 1 A) ..... 1  
The shape of the adaptor may vary depending on the area where you purchased.

China model ..... MU12-2120100-A2  
Europe model ..... MU12-2120100-C5  
Korea model ..... MU12-2120100-C4  
U.K. model ..... MU12-2120100-B2

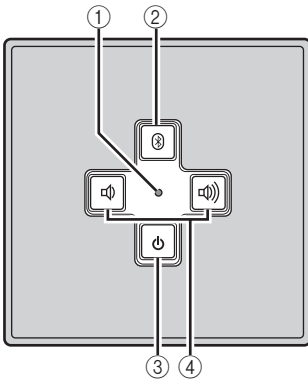
## SR-Bass

“Swing Radiator Bass™” is a trademark of YAMAHA CORPORATION.

## PowerStorage™

“PowerStorage™” is a trademark of YAMAHA CORPORATION.

# Controls and functions



### ① Status indicator (LED)

Indicates the current status of this unit. For details, refer to “About the status indicator (LED)” on page 4.

### ② ③ (Bluetooth/Mute button)

Sets this unit to pairing mode to use Bluetooth connection or mutes the sound. To cancel the mute, press ③ again or ④/⑤. The status indicator flashes during mute.

### ③ ⏻ (Power button)

Turns this unit on. Press ⏻ again to turn this unit off. When this unit is on, the power indicator lights up.

### ④ ⑤/⑥ (Volume buttons)

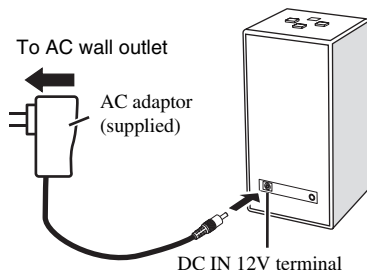
Adjust the volume level. Press ⑤ to increase the volume level and press ⑥ to decrease.

# Connections

Choose one of the two ways of the power supplies and the audio inputs according to your usage circumstances.

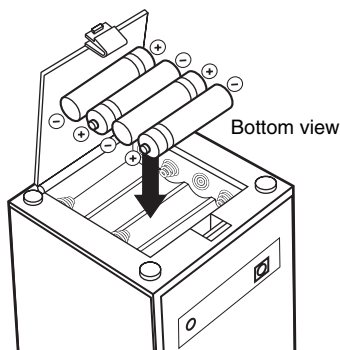
## Power supplies

### 1 When using AC Adaptor



- 1 Connect the supplied AC adaptor to DC IN 12V terminal at the back of this unit.
- 2 Plug the AC adaptor to the AC wall outlet.

### 2 When using batteries

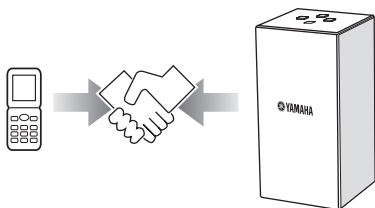


- 1 Open the battery compartment cover on the bottom of this unit.
- 2 Insert 4 commercially available batteries (AA, LR6, UM-3) according to the polarity markings (+ and -) on the inside of the battery compartment.
- 3 Close the battery compartment cover.

#### Notes

- When the status indicator (LED) does not light even though  $\Phi$  is pressed, change all batteries.
- Do not use old batteries and new ones together.
- Do not use different types of batteries (such as alkaline and manganese batteries) together. Read the packaging carefully because some batteries may be different type even they have the same shape and color.
- When not planning to use this unit for long periods of time (for more than 1 month), remove the batteries from this unit.
- If the batteries have leaked, dispose of them immediately. Avoid touching the leaked material or letting it come into contact with clothing, etc. Clean the battery compartment thoroughly before installing new batteries.
- Do not throw away batteries with general house waste; dispose of them correctly in accordance with your local regulations.

## 1 When using Bluetooth connection



Pairing must be performed when using Bluetooth connections for the first time or if the pairing data has been deleted. “Pairing” refers to the operation of registering mobile phones, etc., for Bluetooth communications (hereafter referred to as “other components”). Use the procedure described below to pair.

⚠

To ensure security, a time limit of 8 minutes is set for the pairing operation. You are recommended to read and fully understand all the instructions before starting.

- 1 Turn on the power of the other component you want to pair with.**
- 2 Press  $\odot$  to turn this unit on.**
- 3 Press and hold  $\textcircled{2}$  for more than 4 seconds.**

This unit is set to the pairing mode (the status indicator flashes in blue).

- 4-a [For components with input keys (mobile phones, computers, etc.)]  
Operate the other component to detect Bluetooth components.**

For details, refer to the other component’s operating instructions.

- 4-b [For components without input keys (Bluetooth adaptors, etc.)]**

**Set the other component to the pairing mode and then proceed to step 7.**

For details, refer to the other component’s operating instructions.

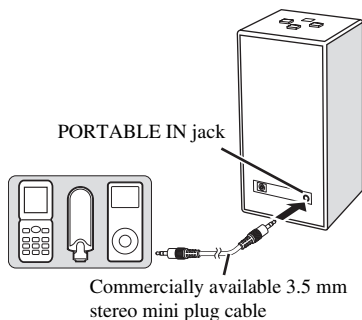
- 5 Select “NX-B02 YAMAHA” from the list of the other component.**
- 6 If you are asked to input a passkey, input the number “0000”.**
- 7 Check that pairing is completed.**

The status indicator flashes quickly, indicating that the pairing process on this unit has been completed. Check that the pairing process on the other component has also been completed. If the status indicator does not flash quickly or if the pairing process on the other component fails, start over from step 3.

### Notes

- Bluetooth communications with other components are not possible while this unit is in the pairing mode. If the pairing mode is set accidentally, press  $\textcircled{2}$  shortly to cancel the pairing mode.
- This unit can be paired with up to eight other components. When pairing is conducted successfully with a ninth component and the pairing data is registered, the pairing data for the least recently used other component is cleared.
- If the power supply to this unit is cut off during the pairing operation, the pairing data may be damaged. If so, perform the procedure described at “Clearing the pairing data” on page 4 and then perform pairing again.

## 2 When using analog input



**Connect an audio output jack of your portable audio player and the PORTABLE IN jack of this unit using a commercially available 3.5 mm stereo mini plug cable.**

### Note

Before connecting, make sure that this unit is turned off.

## Using this unit

### 1 Press $\phi$ to turn this unit on.

The status indicator (LED) lights up.

### 2 Start playback of your Bluetooth component or portable audio player.

### 3 Adjust the volume level using $\llcorner$ / $\triangleright$ .



- This unit is a stereo speaker. To enjoy the fine sound balance between right and left, face the Yamaha logo to the listening position.
- When not using this unit, press  $\phi$  to turn this unit off to save the power.



#### Note

During playback, the Bluetooth connection takes priority over the analog connection.

### ■ After using this unit

#### 1 Stop playback of your Bluetooth component or portable audio player.

#### 2 Press $\phi$ to turn this unit off.

The status indicator (LED) turns off.

### ■ About the status indicator (LED)

LED status	The current status of this unit
Lit in green	This unit is on and playbacks your portable audio player.
Lit in blue	This unit is on and playbacks your Bluetooth component.
Flashing	This unit is muted or in pairing mode.
Flashes once	The volume of this unit is the maximum or minimum.
Off	This unit is off, or power supply is not connected.

## Clearing the pairing data

### 1 Make sure that this unit is turned off.

### 2 While pressing and holding $\llcorner$ , $\triangleright$ and $\text{Ⓜ}$ , press $\phi$ to turn this unit on.

The status indicator (LED) flashes in blue.

### 3 Press $\text{Ⓜ}$ .

This unit clears the pairing data.

When clearing is finished, the status indicator (LED) lights up in green.

# Troubleshooting

If the problem you are experiencing is not listed below, set this unit to off, disconnect the power, and contact the nearest authorized Yamaha dealer or service center.

## General

Problem	Cause	Remedy
<b>No sound.</b>	The connection between this unit and the other component is not correct.	Connect the cable properly.
	The volume is set to the minimum.	Increase the volume level.
	This unit is muted.	Cancel the mute.
	AC adaptor is not connected correctly.	Connect AC adaptor correctly.
	The batteries are weak.	Replace all batteries.
<b>The volume level is unstable.</b>	The limiter control has been activated due to excessive input.	Decrease the volume level.

## When using the Bluetooth connection

Problem	Cause	Remedy
<b>Cannot make this unit paired with the other component.</b>	The other component does not support A2DP.	Perform pairing operations with a component which supports A2DP.
	A Bluetooth adaptor, etc. that you want to pair with this unit has a password other than "0000".	Use a Bluetooth adaptor, etc. whose password is "0000".
	Wrong distance.	Reposition this unit within 10 m (33 ft) range from the other component.
	There is a device (microwave oven, wireless LAN, etc.) outputs signals in the 2.4 GHz frequency band nearby.	Reposition this unit.
	The power of the connected component is off.	Turn on the connected component.
<b>No sound is produced or the sound is interrupted during playback.</b>	The other component is not connected to this unit by Bluetooth.	If Bluetooth communications have dropped, reconnect.
	Wrong distance.	Reposition this unit within 10 m (33 ft) range from the other component.
	There is a device (microwave oven, wireless LAN, etc.) outputs signals in the 2.4 GHz frequency band nearby.	Reposition this unit.
	The other component's Bluetooth function is not enabled.	Check that the Bluetooth function of the other component is set properly.
	This unit is not registered on the other component's Bluetooth device list.	Perform pairing operations again.
	The other component is not set to send Bluetooth audio signals to this unit.	Check that the Bluetooth function of the other component is set properly.
	The pairing setting of the other component is not set to this unit.	Set the pairing setting of the other component to this unit.
	The other component's volume is set to the minimum.	Increase the volume level.

# Specifications

Speaker type ..... 1-box stereo, Twin SR-Bass  
Magnetic shielding type  
Driver ..... 45 mm Ti-cone full-range driver x 2  
Input (Analog) ..... 3.5 mm Stereo mini jack  
200 mV/20 k $\Omega$   
Bluetooth ..... Ver. 2.0+EDR Support A2DP profile  
Dynamic power ..... 6 W x 2 (1 kHz, 6  $\Omega$ )  
Max. instantaneous power\*  
..... 10 W x 2 (1 kHz, 6  $\Omega$ , 10% THD)  
Input sensitivity ..... 200 mV  
Maximum input signal  
Analog input ..... 2.0 V  
Frequency response ..... 90 Hz to 20 kHz

Power supply  
AC adaptor ..... 100 to 240 V AC, 50/60 Hz  
Battery ..... AA, LR6, UM-3 x 4  
Battery life: 4 hours as alkaline  
(Output: 10 mW + 10 mW)  
Power consumption ..... 8 W  
Operating environment  
Temperature ..... +5 to +35  $^{\circ}$ C  
Dimensions (W x H x D) ..... 84 x 170 x 84 mm  
(3-5/16" x 6-11/16" x 3-5/16")  
Weight ..... 600 g (1 lbs. 5 oz.)

\* Refers to the power that can be output for 100 ms continuously.

Please note that all specifications are subject to change without notice.

## Bluetooth<sup>®</sup>

- Bluetooth is a technology for wireless communication between devices within an area of about 10 meters (33 ft) employing the 2.4 GHz frequency band, a band which can be used without a license.
- Bluetooth is a registered trademark of the Bluetooth SIG and is used by Yamaha in accordance with a license agreement.

## ■ Handling Bluetooth communications

- The 2.4 GHz band used by Bluetooth compatible devices is a radio band shared by many types of equipment. While Bluetooth compatible devices use a technology minimizing the influence of other components using the same radio band, such influence may reduce the speed or distance of communications and in some cases interrupt communications.
- The speed of signal transfer and the distance at which communication is possible differs according to the distance between the communicating devices, the presence of obstacles, radio wave conditions and the type of equipment.
- Yamaha does not guarantee all wireless connections between this unit and devices compatible with Bluetooth function.

### Limited Guarantee for European Economic Area (EEA) and Switzerland

Thank you for having chosen a Yamaha product. In the unlikely event that your Yamaha product needs guarantee service, please contact the dealer from whom it was purchased. If you experience any difficulty, please contact Yamaha representative office in your country. You can find full details on our website (<http://www.yamaha-hifi.com/> or <http://www.yamaha-uk.com/> for U.K. resident).

The product is guaranteed to be free from defects in workmanship or materials for a period of two years from the date of the original purchase. Yamaha undertakes, subject to the conditions listed below, to have the faulty product or any part(s) repaired, or replaced at Yamaha's discretion, without any charge for parts or labour. Yamaha reserves the right to replace a product with that of a similar kind and/or value and condition, where a model has been discontinued or is considered uneconomic to repair.

#### Conditions

1. The original invoice or sales receipt (showing date of purchase, product code and dealer's name) MUST accompany the defective product, along with a statement detailing the fault. In the absence of this clear proof of purchase, Yamaha reserves the right to refuse to provide free of charge service and the product may be returned at the customer's expense.
2. The product MUST have been purchased from an AUTHORISED Yamaha dealer within the European Economic Area (EEA) or Switzerland.
3. The product must not have been the subject of any modifications or alterations, unless authorised in writing by Yamaha.
4. The following are excluded from this guarantee:
  - a. Periodic maintenance and repair or replacement of parts due to normal wear and tear.
  - b. Damage resulting from:
    - (1) Repairs performed by the customer himself or by an unauthorised third party.
    - (2) Inadequate packaging or mishandling, when the product is in transit from the customer. Please note that it is the customer's responsibility to ensure the product is adequately packaged when returning the product for repair.
    - (3) Misuse, including but not limited to (a) failure to use the product for its normal purpose or in accordance with Yamaha's instructions on the proper use, maintenance and storage, and (b) installation or use of the product in a manner inconsistent with the technical or safety standards in force in the country where it is used.
    - (4) Accidents, lightning, water, fire, improper ventilation, battery leakage or any cause beyond Yamaha's control.
    - (5) Defects of the system into which this product is incorporated and/or incompatibility with third party products.
    - (6) Use of a product imported into the EEA and/or Switzerland, not by Yamaha, where that product does not conform to the technical or safety standards of the country of use and/or to the standard specification of a product sold by Yamaha in the EEA and/or Switzerland.
    - (7) Non AV (Audio Visual) related products.  
(Products subject to "Yamaha AV Guarantee Statement" are defined in our website at <http://www.yamaha-hifi.com/> or <http://www.yamaha-uk.com/> for U.K. resident.)
5. Where the guarantee differs between the country of purchase and the country of use of the product, the guarantee of the country of use shall apply.
6. Yamaha may not be held responsible for any losses or damages, whether direct, consequential or otherwise, save for the repair or replacement of the product.
7. Please backup any custom settings or data, as Yamaha may not be held responsible for any alteration or loss to such settings or data.
8. This guarantee does not affect the consumer's statutory rights under applicable national laws in force or the consumer's rights against the dealer arising from their sales/purchase contract.



# ATTENTION: Prière de lire ceci avant d'utiliser l'appareil.

Pour tirer le meilleur parti de ce système acoustique, veuillez lire attentivement ce manuel. Conservez-le en lieu sûr pour toute référence future.

- 1 Installez cet appareil dans un lieu bien ventilé, frais, sec, et propre - à l'écart des rayons directs du soleil, des sources de chaleur, des vibrations, de la poussière, de l'humidité et/ou du froid. (Ne pas utiliser/laisser cet appareil dans une voiture, etc.)
- 2 Pour éviter tout bourdonnement, installez cet appareil à l'écart d'autres appareils électriques, de moteurs ou de transformateurs.
- 3 Ne pas exposer cet appareil à des changements brusques d'une température froide à une température chaude, et ne pas installer cet appareil dans une pièce exposée à une forte humidité (par ex. une pièce avec humidificateur) pour éviter la condensation d'eau à l'intérieur de l'appareil, qui pourrait entraîner un choc électrique, un incendie, des dommages et/ou des blessures.
- 4 Évitez d'installer cet appareil à un endroit où des objets étrangers ou de l'eau risqueraient de tomber ou de s'infiltrer. **NE PAS** poser sur cet appareil:
  - D'autres appareils qui pourraient endommager et/ou décolorer la surface.
  - Des objets brûlants (bougies, etc.) qui pourraient causer un incendie, ou endommager l'appareil et/ou causer des blessures.
  - Des récipients contenant du liquide, qui risqueraient de tomber et de causer un choc électrique et/ou d'endommager l'appareil.
- 5 Ne pas couvrir cet appareil avec un journal, une nappe, etc. qui pourrait empêcher la diffusion de la chaleur. Un développement de chaleur à l'intérieur de l'appareil peut causer un incendie, des dommages à l'appareil et/ou des blessures.
- 6 Ne raccordez cet appareil à une prise secteur que lorsque tous les raccordements ont été effectués.
- 7 Ne pas utiliser cet appareil en sens inverse. Il risquerait de chauffer et d'être endommagé.
- 8 Ne pas exercer de force sur les commutateurs, boutons, et/ou cordons.
- 9 Pour débrancher l'adaptateur secteur de la prise secteur, saisissez toujours l'adaptateur secteur; ne tirez pas sur le cordon.
- 10 Ne nettoyez pas cet appareil avec des solvants chimiques; la finition pourrait être endommagée. Utilisez un chiffon propre et sec.
- 11 Utilisez seulement la tension spécifiée pour cet appareil. L'emploi de cet appareil sur un courant secteur d'une tension supérieure à la tension spécifiée peut entraîner un incendie, des dommages à l'appareil et/ou causer des blessures. Yamaha décline toute responsabilité quant aux dommages pouvant résulter de l'emploi de cet appareil sur une autre tension que la tension spécifiée.
- 12 Ne pas essayer d'apporter des modifications ni de fixer cet appareil. Pour tout contrôle, contactez un service après-vente agréé Yamaha. Le coffret ne doit pas être ouvert sous aucun prétexte.
- 13 Si vous prévoyez de ne pas utiliser cet appareil pendant un certain temps (par exemple lorsque vous partez en vacances), débranchez l'adaptateur secteur de la prise secteur.
- 14 Avant de conclure à une défectuosité de l'appareil, reportez-vous à "Guide de dépannage" si un problème quelconque se présente.
- 15 Avant de déplacer cet appareil, appuyez sur  $\phi$  pour mettre l'appareil hors tension, et débranchez l'adaptateur secteur de la prise secteur.
- 16 Utilisez l'adaptateur secteur fourni avec cet appareil. L'emploi de tout autre adaptateur secteur peut causer un incendie ou endommager l'appareil.
- 17 Installez l'appareil près de la prise secteur et à un endroit tel que l'adaptateur secteur soit facilement accessible.
- 18 Pour protéger cet appareil lors d'un orage ou lorsque vous ne l'utilisez pas pendant longtemps, débranchez le cordon de la prise secteur. L'appareil ne risquera pas d'être endommagé par une surtension électrique.
- 19 Les piles ne doivent pas être exposées à une chaleur extrême, par exemple au soleil, à une flamme, etc.

Même si cette unité dispose d'une conception à blindage magnétique, il y a un risque possible de création d'interférences, visibles sur les images en couleurs si elle est placée à côté d'un téléviseur. Dans ce cas, éloigner l'unité du téléviseur.

Ne pas utiliser cet appareil à moins de 22 cm de personnes ayant un stimulateur cardiaque ou un défibrillateur.

## AVERTISSEMENT

**POUR RÉDUIRE LES RISQUES D'INCENDIE OU DE SECOURS ÉLECTRIQUE, N'EXPOSEZ PAS CET APPAREIL À LA PLUIE OU À L'HUMIDITÉ.**

Cet appareil n'est pas déconnecté du secteur tant qu'il reste branché à la prise de courant. En pareil cas, celui-ci consomme une faible quantité d'électricité.

Ce symbole est conforme à la directive européenne 2002/96/EC.



Ce symbole indique que l'élimination des équipements électriques et électroniques en fin de vie doit s'effectuer à l'écart de celle de vos déchets ménagers. Veuillez respecter les réglementations locales et veillez à garder séparés vos anciens produits et vos déchets ménagers usuels lors de leur élimination.

L'utilisateur n'est pas autorisé à rétro-concevoir, décompiler, modifier, traduire ou désassembler le logiciel utilisé dans cet appareil, aussi bien dans ses parties que dans sa totalité. En ce qui concerne les utilisateurs en entreprise, les employés de l'entreprise proprement dite de même que ses partenaires commerciaux doivent respecter les interdictions figurant dans cette clause. Si les termes de cette clause et de ce contrat ne peuvent pas être respectés, l'utilisateur devra immédiatement cesser d'utiliser le logiciel.

Nous, le fabricant Yamaha, déclarons que le NX-B02 est conforme aux exigences essentielles et aux autres dispositions pertinentes de la Directive 1999/5/EC.



# Introduction

## ◆ 2 sources d'alimentation

Vous avez le choix entre deux sources d'alimentation selon les circonstances: l'adaptateur secteur ou les piles.

## ◆ La technologie sans fil Bluetooth

La technologie sans fil Bluetooth permet d'obtenir un son clair sans liaison filaire.

## ◆ Son stéréo authentique

L'amplificateur de haute qualité, le diaphragme en titane et la technologie SR-Bass exceptionnelle de Yamaha permettent d'obtenir un son de grande qualité.

## ◆ Circuit PowerStorage™ (Puissance élevée de 20 W)

La technologie originale de Yamaha garantit une puissance de sortie impressionnante de 20 W (Puissance instantanée maximale).

## ■ Accessoire fourni

Adaptateur secteur (CC 12 V, 1 A) .....	1
La forme de l'adaptateur est différente selon la région de commercialisation.	
Modèle pour la Chine .....	MU12-2120100-A2
Modèle pour l'Europe .....	MU12-2120100-C5
Modèle pour la Corée .....	MU12-2120100-C4
Modèle pour le Royaume-Uni .....	MU12-2120100-B2

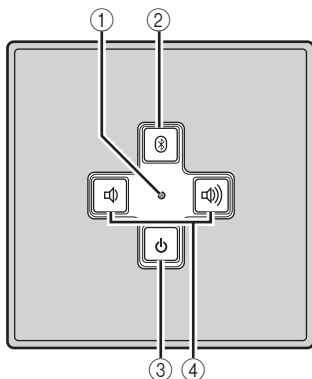
## SR-Bass

"Swing Radiator Bass™" est une marque de commerce appartenant à YAMAHA CORPORATION.

## PowerStorage™

"PowerStorage™" est une marque de commerce appartenant à YAMAHA CORPORATION.

# Commandes et fonctions



### ① Témoin d'alimentation (DEL)

Indique l'état actuel de cet appareil. Pour de plus amples informations, reportez-vous à "À propos du témoin d'état (DEL)" à la page 4.

### ② B (Bouton Bluetooth/Silencieux)

Mettez cet appareil en mode de couplage pour la connexion Bluetooth ou coupez le son. Pour rétablir le son, appuyez une nouvelle fois sur B ou B. Le témoin d'état clignote quand le son est coupé.

### ③ P (Bouton d'alimentation)

Mettez cet appareil sous tension. Appuyez une nouvelle fois sur P pour mettre cet appareil hors tension. Lorsque l'appareil est sous tension, le témoin d'alimentation s'éclaire.

### ④ L/R (Boutons de volume)

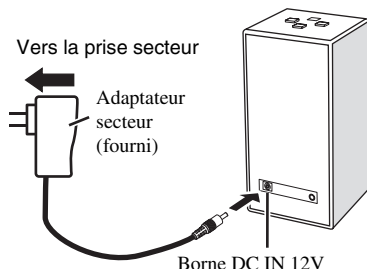
Sert à régler le niveau du volume. Appuyez sur L pour augmenter le niveau du volume et appuyez sur R pour le réduire.

# Raccordements

Choisissez une des deux sources d'alimentation et les entrées audio en fonction de la situation.

## Sources d'alimentation

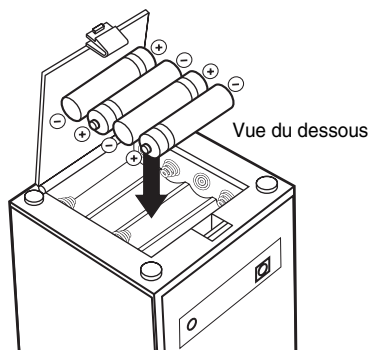
### 1 Alimentation par l'adaptateur secteur



**1** Raccordez l'adaptateur secteur à la borne DC IN 12V au dos de l'appareil.

**2** Branchez l'adaptateur secteur sur une prise secteur.

### 2 Alimentation par des piles



**1** Ouvrez le couvercle du logement des piles sous cet appareil.

**2** Insérez 4 piles en vente dans le commerce (AA, LR6, UM-3) en respectant la polarité (+ et -) indiquée à l'intérieur du logement des piles.

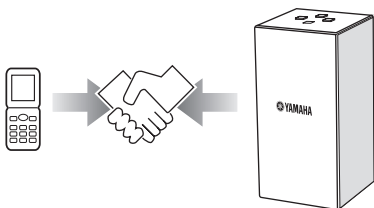
**3** Fermez le couvercle du logement des piles.

#### Remarques

- Si le témoin d'état (DEL) ne s'éclaire pas même lorsque vous appuyez sur  $\Phi$ , changez les piles.
- N'utilisez pas en même temps des piles neuves et des piles usagées.
- N'utilisez pas non plus des piles de différents types (par exemple, des piles alcalines et des piles au manganèse). Lisez attentivement l'emballage car certaines piles peuvent être de type différent même si elles ont la même forme et couleur.
- Lorsque vous prévoyez de ne pas utiliser cet appareil pendant un certain temps (plus d'un mois) retirez les piles de cet appareil.
- Si les piles ont fui, mettez-les au rebut immédiatement. Dans la mesure du possible, ne touchez pas le produit qui a fui et évitez qu'il ne vienne en contact avec vos vêtements, etc. Nettoyez soigneusement le logement des piles avant de mettre en place des piles neuves.
- Ne jetez pas les piles avec les ordures ménagères; respectez la réglementation locale pour la mise au rebut des piles.

## Entrées audio

### 1 Lorsque une connexion Bluetooth est utilisée



Le couplage est nécessaire la première fois que l'on doit utiliser une connexion Bluetooth, ou bien lorsque les données du couplage ont été effacées. "Le couplage" désigne l'enregistrement de téléphones mobiles, etc. (appelés ici "autres composants") pour les communications Bluetooth. Effectuez le couplage de la façon suivante.

Pour des raisons de sécurité, le couplage doit être effectué en l'espace de 8 minutes. Il est conseillé de lire et de bien comprendre toutes les instructions avant d'utiliser l'appareil.

**1 Mettez le composant qui doit être couplé sous tension.**

**2 Appuyez sur  $\phi$  pour mettre l'appareil sous tension.**

**3 Appuyez plus de 4 secondes sur  $\text{\textcircled{B}}$ .**

Cet appareil se met en mode de couplage (le témoin d'état clignote en bleu).

**4-a [Pour les composants comportant des touches de saisie (téléphones portables, ordinateurs, etc.)]  
Déterminez les composants Bluetooth au moyen de l'autre appareil.**

Pour un complément d'informations, reportez-vous reportez-vous au mode d'emploi de l'autre composant.

**4-b [Pour les composants sans touches de saisie (adaptateurs Bluetooth, etc.)]**

**Régalez l'autre appareil sur le mode de couplage et passez à l'étape 7.**

Pour un complément d'informations, reportez-vous reportez-vous au mode d'emploi de l'autre composant.

**5 Sélectionnez "NX-B02 YAMAHA" dans la liste des autres composants.**

**6 Si l'on vous demande de taper un code, tapez le numéro "0000".**

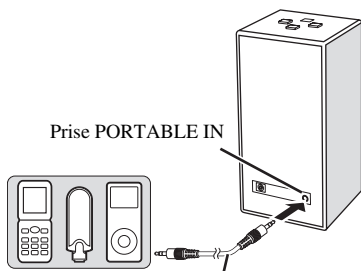
**7 Vérifiez si le couplage est terminé.**

Le témoin d'état clignote rapidement, ce qui indique que le couplage de cet appareil est terminé. Vérifiez si le couplage sur l'autre composant est aussi terminé. Si le témoin d'état ne clignote pas rapidement ou si le couplage sur l'autre composant échoue, recommencez à partir de l'étape 3.

#### Remarques

- Les communications Bluetooth avec les autres composants ne sont pas possibles lorsque cet appareil est en mode de couplage. Si vous mettez accidentellement l'appareil en mode de couplage, appuyez brièvement sur  $\text{\textcircled{B}}$  pour l'annuler.
- Cet appareil peut être couplé avec huit composants au maximum. Si vous parvenez à coupler un neuvième composant, les données du composant le moins récent sont effacées lorsque celles du plus récent sont enregistrées.
- Si l'alimentation de cet appareil est coupée pendant le couplage, les données de couplage peuvent être endommagées. Dans ce cas, procédez comme indiqué dans "Effacement des données de couplage" à la page 4 et recommencez.

### 2 Lorsque l'entrée analogique est utilisée



Câble à minifiche stéréo de 3,5 mm en vente dans le commerce

**Reliez une prise de sortie audio de votre lecteur audio portable à la prise PORTABLE IN de cet appareil avec un câble à minifiche stéréo de 3,5 mm du commerce.**

#### Remarque

Avant d'effectuer les liaisons, veillez à mettre cet appareil hors tension.

# Utilisation de cet appareil

## 1 Appuyez sur $\phi$ pour mettre l'appareil sous tension.

Le témoin d'état (DEL) s'allume.

## 2 Activez la lecture sur votre composant Bluetooth ou sur votre lecteur audio portable.

## 3 Réglez le niveau du volume avec $\llcorner$ / $\lrcorner$ .

### Remarque

Pendant la lecture, la connexion Bluetooth prime sur la connexion analogique.



- Cet appareil est une enceinte stéréo. Pour obtenir un son équilibré entre les voies gauche et droite, orientez le logo Yamaha vers la position d'écoute.
- Lorsque vous n'utilisez pas cet appareil, éteignez-le par mesure d'économie en appuyant sur  $\phi$ .



### ■ Après avoir utilisé cet appareil

## 1 Arrêtez la lecture sur votre composant Bluetooth ou sur votre lecteur audio portable.

## 2 Appuyez sur $\phi$ pour mettre cet appareil hors tension.

Le témoin d'état (DEL) s'éteint.

### ■ À propos du témoin d'état (DEL)

État de la DEL	État actuel de cet appareil
Éclairé en vert	Cet appareil est allumé et restitue le son de votre lecteur audio portable.
Éclairé en bleu	Cet appareil est allumé et restitue le son de votre composant Bluetooth.
Clignote	Le son de cet appareil est coupé ou cet appareil est en mode de couplage.
Clignote une fois	Le volume de cet appareil est au niveau maximal ou minimal.
Éteint	Cet appareil est hors tension ou la source d'alimentation n'est pas raccordée.

# Effacement des données de couplage

## 1 Assurez-vous que cet appareil est hors tension.

## 2 Tout en appuyant sur $\llcorner$ , $\lrcorner$ et $\otimes$ , et les maintenant enfoncées, appuyez sur $\phi$ pour mettre cet appareil sous tension.

Le témoin d'état (DEL) clignote en bleu.

## 3 Appuyez sur $\otimes$ .

Les données de couplage sont effacées.

Lorsque les données sont effacées, le témoin d'état (DEL) s'allume en vert.

# Guide de dépannage

Si le problème perçu ne figure pas dans la liste suivante, mettez cet appareil hors tension, débranchez la source d'alimentation et contactez le revendeur ou le service après-vente agréé Yamaha le plus proche.

## Généralités

Anomalies	Causes possibles	Actions correctives
<b>Absence de son.</b>	La connexion entre cet appareil et l'autre composant n'est pas bonne.	Raccordez correctement le câble.
	Le volume a été réduit au niveau minimal.	Augmentez le niveau du volume.
	Le son est coupé.	Annulez le silencieux.
	L'adaptateur secteur n'est pas raccordé correctement.	Raccordez l'adaptateur secteur correctement.
	Les piles sont usagées.	Remplacez les piles.
<b>Le niveau du volume est instable.</b>	L'entrée d'un signal excessif a activé la commande d'écrêtage.	Réduisez le niveau du volume.

## Lorsqu'une connexion Bluetooth est utilisée

Anomalies	Causes possibles	Actions correctives
<b>Impossible de coupler cet appareil avec l'autre composant.</b>	L'autre appareil raccordé ne prend pas en charge le A2DP.	Effectuez le couplage avec un appareil prenant en charge le A2DP.
	Un adaptateur Bluetooth, etc. que vous voulez coupler à cet appareil a un mot de passe autre que "0000".	Utilisez un adaptateur Bluetooth, etc. dont le mot de passe est "0000".
	Mauvaise distance.	Installez cet appareil à moins de 10 m de l'autre composant.
	Un appareil à proximité (micro-onde, réseau LAN sans fil, etc.) émet des signaux dans la bande de fréquence de 2,4 GHz.	Repositionnez cet appareil.
	Le composant raccordé n'est pas sous tension.	Mettez l'appareil raccordé sous tension.
<b>Absence de son ou son interrompu pendant la lecture.</b>	L'autre composant n'est pas raccordé à cet appareil par une connexion Bluetooth.	Si la communication Bluetooth a été interrompue, reconnectez-vous.
	Mauvaise distance.	Installez cet appareil à moins de 10 m de l'autre composant.
	Un appareil à proximité (micro-onde, réseau LAN sans fil, etc.) émet des signaux dans la bande de fréquence de 2,4 GHz.	Repositionnez cet appareil.
	La fonction Bluetooth de l'autre composant n'est pas activée.	Assurez-vous que la fonction Bluetooth de l'autre composant est réglée correctement.
	Cet appareil n'est pas enregistré dans la liste des périphériques Bluetooth de l'autre composant.	Effectuez de nouveau le couplage.
	L'autre composant n'est pas réglé pour envoyer des signaux audio Bluetooth à cet appareil.	Assurez-vous que la fonction Bluetooth de l'autre composant est réglée correctement.
	Le réglage de couplage de l'autre composant n'est pas celui de cet appareil.	Effectuez le réglage de couplage approprié pour cet appareil sur l'autre composant.
	Le volume de l'autre composant a été réduit au niveau minimal.	Augmentez le niveau du volume.

# Caractéristiques techniques

Type d'enceinte ..... Stéréo 1 coffret, Twin SR-Bass  
Type à blindage magnétique

Moteur  
..... Moteur pleine gamme pour cône en titane de 45 mm x 2

Entrée (Analogique) ..... Minijack stéréo de 3,5 mm  
200 mV/20 kΩ

Profil Bluetooth ..... Ver. 2.0+EDR Supporte A2DP

Puissance dynamique ..... 6 W x 2 (1 kHz, 6 Ω)

Puissance instantanée maximale\*  
..... 10 W x 2 (1 kHz, 6 Ω, 10% DHT)

Sensibilité à l'entrée ..... 200 mV

Signal d'entrée maximal  
Entrée analogique ..... 2,0 V

Réponse en fréquence ..... 90 Hz à 20 kHz

Alimentation  
Adaptateur secteur ..... 100 à 240 V CA, 50/60 Hz  
Pile ..... AA, LR6, UM-3 x 4  
Autonomie des piles: 4 heures pour des piles alcalines  
(Sortie: 10 mW + 10 mW)

Consommation électrique ..... 8 W

Conditions ambiantes  
Température ..... +5 à +35 °C

Dimensions (L x H x P) ..... 84 x 170 x 84 mm

Poids ..... 600 g

\* Puissance pouvant être fournie en continu durant 100 ms.

Toutes les spécifications sont susceptibles d'être changées sans avis préalable.

## Bluetooth®

- Bluetooth est une technologie permettant la communication entre des périphériques à une distance de 10 mètres environ par la bande de fréquence de 2,4 GHz qui peut être utilisée sans licence.
- Bluetooth est une marque déposée de Bluetooth SIG utilisée sous licence par Yamaha.

## ■ Communications Bluetooth

- La bande de 2,4 GHz utilisée par les périphériques Bluetooth est une bande radio partagée par de nombreux types d'appareils. Les périphériques Bluetooth emploient une technologie qui réduit l'influence des composants fonctionnant sur la même bande radio, mais la vitesse ou la distance des communications peut cependant être réduite par de tels composants, et dans certains cas les communications interrompues.
- La vitesse de transfert du signal et la distance de la communication dépendent de la distance entre les périphériques de communication, la présence d'obstacles, l'état des ondes radio et le type d'appareil.
- Yamaha ne garantit pas tous les connexions sans fil entre cet appareil et les appareils compatibles avec la fonction Bluetooth.

## Garantie Limitée pour la Zone Économique Européenne (EEA) et la Suisse

Merci d'avoir porté votre choix sur un produit Yamaha. Si votre produit Yamaha devait avoir besoin d'une réparation pendant sa période de garantie, veuillez contacter votre revendeur. En cas de difficulté, veuillez contacter une agence Yamaha dans votre propre pays. Vous trouverez tous les détails nécessaires sur notre site Web (<http://www.yamaha-hifi.com/> ou <http://www.yamaha-uk.com/> pour les résidents au Royaume-Uni).

Ce produit est garanti contre les vices de fabrication et de matériaux pour une période de deux ans à compter de la date d'achat originale. Yamaha réparera, ou remplacera à sa seule discrétion, le produit défectueux ou les pièces de manière gratuite, dans les conditions mentionnées ci-dessous. Yamaha se réserve le droit de remplacer un produit par un autre de même type et/ou valeur et condition, si le modèle n'est plus fabriqué ou si son remplacement semble plus économique.

### Conditions

1. La facture originale ou le bon d'achat (indiquant la date de l'achat, le code du produit et le nom du revendeur) DOIT être fourni avec le produit défectueux et une description détaillée du problème. En l'absence de preuve évidente d'achat, Yamaha se réserve le droit de refuser une réparation gratuite et de renvoyer le produit aux propres frais du client.
2. Le produit DOIT avoir été acheté auprès d'un revendeur AGRÉÉ Yamaha dans la Zone Économique Européenne (EEA) ou en Suisse.
3. Le produit ne doit pas avoir subi de modifications ni de changements, à moins d'une autorisation écrite de Yamaha.
4. Sont exclus de la garantie les points suivants:
  - a. Entretien périodique et réparation ou remplacement de pièces ayant subi une usure ou défaillance normale.
  - b. Dommages résultant de:
    - (1) Réparations effectuées par le client lui-même ou par un tiers non autorisé.
    - (2) Emballage ou manipulation inadéquats lors de l'expédition par le client. Le client doit emballer le produit correctement avant de l'expédier en vue d'une réparation.
    - (3) Mauvaise utilisation, y compris mais sans s'y limiter (a) utilisation du produit dans un autre but ou de façon contraire aux instructions de Yamaha, entretien et entreposage et (b) installation ou emploi du produit sans tenir compte des normes de sécurité ou techniques en vigueur dans le pays d'utilisation.
    - (4) Accidents, foudre, eau, incendie, mauvaise ventilation, fuite des piles ou autres causes indépendantes de Yamaha.
    - (5) Défauts de la chaîne avec laquelle ce produit est utilisé et/ou incompatibilité avec des produits d'autres sociétés.
    - (6) Utilisation d'un produit importé dans la Zone Économique Européenne (EEA) et/ou la Suisse, par une autre société que Yamaha, et non conforme aux standards techniques et aux normes de sécurité du pays d'utilisation, et/ou aux spécifications standard d'un produit vendu par Yamaha dans la Zone Économique Européenne (EEA) et/ou la Suisse.
    - (7) Produits non audiovisuels.  
(Les produits soumis à une "Déclaration de Garantie AV de Yamaha" sont indiqués sur notre site Web à l'adresse <http://www.yamaha-hifi.com/> ou <http://www.yamaha-uk.com/> pour les résidents au Royaume-Uni).
5. En cas de différences entre la garantie du pays d'achat et celle du pays d'utilisation du produit, la garantie du pays d'utilisation du produit entrera en vigueur.
6. Yamaha décline toute responsabilité quant aux pertes de données ou dommages, direct, accessoires ou autres, résultant de la réparation ou du remplacement du produit.
7. Veuillez sauvegarder tous vos réglages et toutes vos données personnelles avant d'expédier votre produit, car Yamaha ne peut être tenu pour responsable des modifications ou pertes de réglages ou de données.
8. Cette garantie n'affecte pas les droits légaux du consommateur garantis par la législation nationale, ni les droits du consommateur envers le revendeur, découlant d'un contrat de vente/achat particulier.

# VORSICHT: Lesen sie diese Informationen, bevor sie dieses Gerät verwenden.

Um bestmögliche Leistung zu gewährleisten, lesen Sie bitte diese Anleitung gründlich durch. Bewahren Sie sie an sicherer Stelle zum Nachschlagen auf.

- 1 Installieren Sie dieses Gerät an einem gut gelüfteten, kühlen, trockenen, sauberen Ort - geschützt vor direktem Sonnenlicht, Wärmequellen, Erschütterungen, Staub, Feuchtigkeit und/oder Kälte. (Verwenden/lagern Sie dieses Gerät nicht in einem Auto usw.)
- 2 Platzieren Sie dieses Gerät entfernt von anderen elektrischen Geräten, Motoren oder Transformatoren auf, um Brummgeräusche zu vermeiden.
- 3 Setzen Sie dieses Gerät nicht plötzlichen Temperaturschwankungen von kalt zu heiß aus, und stellen Sie es nicht an einem Ort mit hoher Luftfeuchtigkeit auf (z.B. in einem Raum mit einem Luftbefeuchter), um Kondensationsbildung im Gerät zu verhindern, welche zu elektrischen Schlägen, Bränden, Schäden am Gerät und/oder Unfällen mit Verletzungen führen kann.
- 4 Stellen Sie das Gerät nicht an Orten auf, wo Fremdkörper hineinfallen oder Flüssigkeitsspritzer auf oder in das Gerät geraten können. Stellen Sie folgendes NICHT auf das Gerät:
  - Andere Komponenten, da sie Schäden und/oder Verfärbungen auf der Oberfläche des Geräts verursachen können.
  - Brennende Objekte (z.B. Kerzen), da sie Brände, Schäden am Gerät und/oder Verletzungen verursachen können.
  - Behälter mit Flüssigkeiten, da sie umkippen und Flüssigkeiten in das Gerät schütten können, was zu elektrischen Schlägen und/oder Schäden am Gerät führen kann.
- 5 Decken Sie das Gerät nicht mit einer Zeitung, Tischdecke, Vorhang usw. ab, um Hitzestau zu vermeiden. Wenn die Temperatur im Gerät stark ansteigt, können Brände, Geräteschäden und/oder Verletzungen verursacht werden.
- 6 Schließen Sie das Gerät nicht an das Netz an, bevor alle anderen Anschlüsse fertig gestellt sind.
- 7 Betreiben Sie dieses Gerät nicht in umgekippter Stellung. Das kann zu Überhitzung und Schäden am Gerät führen.
- 8 Wenden Sie bei der Betätigung von Schaltern, Reglern und/oder Kabeln keine Gewalt an.
- 9 Beim Abziehen des Netzteils von der Wandsteckdose ziehen Sie immer direkt am Netzteil und nicht am Kabel.
- 10 Versuchen Sie nicht, dieses Gerät mit chemischen Lösungsmittel zu reinigen; dadurch kann das Gehäuse beschädigt werden. Verwenden Sie einen sauberen, trockenen Lappen.
- 11 Das Gerät darf nur mit der vorgeschriebenen Spannung betrieben werden. Betrieb des Geräts mit einer höheren Spannung als vorgeschrieben ist gefährlich und kann zu Bränden, Schäden am Gerät und/oder Verletzungen führen. Yamaha übernimmt keine Verantwortung für jegliche Schäden, die aus dem Betrieb des Geräts mit einer anderen als der vorgeschriebenen Spannung resultieren.
- 12 Versuchen Sie nicht dieses Gerät zu modifizieren oder selber zu reparieren. Wenden Sie sich an qualifiziertes Yamaha-Kundendienstpersonal, wenn Service erforderlich ist. Das Gehäuse darf unter keinen Umständen geöffnet werden.
- 13 Wenn Sie das Gerät längere Zeit über nicht verwenden wollen (z.B. wenn Sie auf Urlaub fahren), trennen Sie das Netzteil von der Steckdose ab.
- 14 Lesen Sie immer zuerst das Kapitel „Störungsbeseitigung“ in dieser Anleitung durch, um zu erfahren, wie Sie zunächst im Hinblick auf häufige Bedienfehler prüfen, bevor Sie entscheiden, dass das Gerät defekt ist.
- 15 Vor dem Transport dieses Geräts drücken Sie  $\phi$  zum Ausschalten des Geräts und ziehen dann das Netzteil von der Netzsteckdose ab.
- 16 Verwenden Sie immer den diesem Gerät mitgelieferte Netzteil. Bei Verwendung eines anderen Netzteils als des mitgelieferten können Brände oder Geräteschäden verursacht werden.
- 17 Stellen Sie dieses Gerät in der Nähe der Steckdose und so, dass der Netzteil gut zugänglich ist.
- 18 Für zusätzlichen Schutz dieses Produkts während eines Gewitters oder wenn es längere Zeit unbenutzt stehengelassen wird, ziehen Sie den Netzstecker von der Steckdose ab. Dadurch werden Schäden am Gerät durch Blitzschlag und Stromspitzen vermieden.
- 19 Die Batterien dürfen nicht starker Hitze wie direktem Sonnenschein, Feuer o.ä. ausgesetzt werden.

Dieses Gerät ist magnetisch abgeschirmt; trotzdem können Bildstörungen auftreten, wenn es zu nahe an einem Fernseher aufgestellt wird. Sollte dies der Fall sein, entfernen Sie das Gerät vom Fernseher.

Verwenden Sie dieses Gerät nicht in einem Abstand von weniger als 22 cm zu Personen, die ein Herzschrittmacher- oder Defibrillator-Implantat tragen.

## WARNING

UM DIE GEFAHR EINES FEUERS ODER EINES ELEKTROSCHOCKS ZU VERMEIDEN, DARF DAS GERÄT WEDER REGEN NOCH FEUCHTIGKEIT AUSGESETZT WERDEN.

Dieses Gerät ist nicht vom Netz abgetrennt, so lange der Netzstecker an eine Netzdose angeschlossen ist, auch wenn das Gerät selbst ausgeschaltet wurde. In diesem Zustand nimmt das Gerät ständig eine geringe Menge Strom auf.

Dieses Symbol entspricht der EU-Richtlinie 2002/96/EC.



Dieses Symbol bedeutet, dass elektrische und elektronische Geräte am Ende ihrer Lebensdauer getrennt vom normalen Hausmüll entsorgt werden sollten.

Handeln Sie bitte der örtlichen Gesetzgebung entsprechend und entsorgen Sie Ihre alten Produkte nicht über den normalen Hausmüll.

Der Anwender darf nicht an der in diesem Gerät verwendeten Software Reverse Engineering vornehmen und diese oder Teile davon nicht dekompileieren, ändern, übersetzen oder zerlegen. Bei Anwendung durch Unternehmen müssen Mitarbeiter des Unternehmens ebenso wie Geschäftspartner die in dieser Klausel festgelegten Vorschriften befolgen. Wenn die Vorschriften dieser Klausel und dieses Vertrags nicht befolgt werden können, muss der Anwender sofort die Benutzung der Software beenden.

Wir, der Hersteller Yamaha, erklären hiermit, dass der NX-B02 mit den wesentlichen Anforderungen und anderen relevanten Bestimmungen der Richtlinie 1999/EC übereinstimmt.





# Einleitung

## ◆ 2-Wege-Stromversorgung

Sie können je nach Umständen eine der beiden Stromversorgungsmöglichkeiten wählen: Netzteil oder Batterien.

## ◆ Die drahtlose Bluetooth-Technologie

Mit Bluetooth-Technologie können Sie klaren Sound ohne störende Kabelverbindungen genießen.

## ◆ Realer Stereo-Sound

Der hochwertige Verstärker, die Titanmembran und die einzigartige SR-Bass-Technologie von Yamaha ermöglichen den hochwertigen Klang.

## ◆ PowerStorage™-Schaltkreis (Hohe Leistung von 20 W)

Die originale Stromtechnologie von Yamaha erlaubt beeindruckende 20 W Ausgangsleistung (Max. Sofortleistung).

## ■ Mitgeliefertes Zubehör

Netzteil (DC 12 V, 1 A) .....	1
Die Form des Adapters kann je nach Kaufgebiet unterschiedlich sein.	
Modell für China .....	MU12-2120100-A2
Modell für Europa .....	MU12-2120100-C5
Modell für Korea .....	MU12-2120100-C4
Modell für Großbritannien .....	MU12-2120100-B2

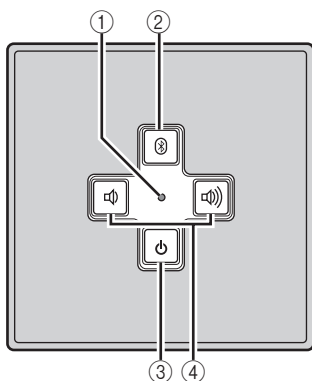
## SR-Bass

„Swing Radiator Bass™“ ist ein Warenzeichen der YAMAHA CORPORATION.

## PowerStorage™

„PowerStorage™“ ist ein Warenzeichen der YAMAHA CORPORATION.

# Bedienungselemente und Ihre Funktionen



### ① Status-Anzeige (LED)

Zeigt den aktuellen Status dieses Geräts. Für Einzelheiten siehe „Über die Statusanzeige (LED)“ auf Seite 4.

### ② Ⓜ (Bluetooth/Stumm-Taste)

Stellt dieses Gerät auf Pairing-Modus zur Verwendung der Bluetooth-Verbindung oder stellt den Ton stumm. Um die Stummschaltung zu deaktivieren, drücken Sie Ⓜ noch einmal, oder Ⓜ/🔊. Die Statusanzeige blinkt bei Stummschaltung.

### ③ ⏻ (Strom-Taste)

Schaltet dieses Gerät ein. Drücken Sie ⏻ erneut, um dieses Gerät auszuschalten. Wenn dieses Gerät eingeschaltet ist, leuchtet die Netzanzeige auf.

### ④ 🔊/🔇 (Lautstärke-Tasten)

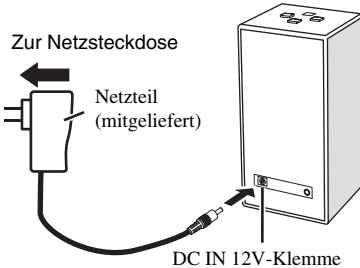
Stellen Sie den Lautstärkepegel ein. Drücken Sie 🔊 zum Steigern des Lautstärkepegels, und drücken Sie 🔇 zum Senken.

# Anschlüsse

Wählen Sie eine der beiden Stromversorgungsmöglichkeiten und die Audioengänge entsprechend den Verwendungsbedingungen.

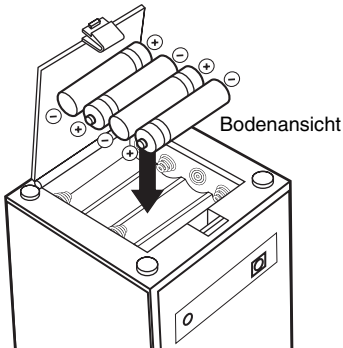
## Stromversorgungsmöglichkeiten

### 1 Bei Verwendung eines Netzteils



- 1 Schließen Sie das mitgelieferte Netzteil an die DC IN 12V-Klemme an der Rückseite dieses Geräts an.
- 2 Schließen Sie das Netzteil an die Netzdose an.

### 2 Bei Verwendung von Batterien

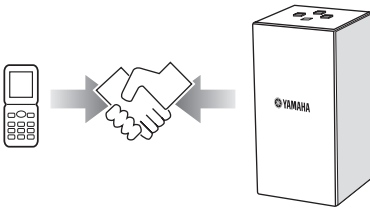


- 1 Öffnen Sie das Batteriefach an der Unterseite dieses Geräts.
- 2 Setzen Sie die 4 handelsüblichen Batterien (AA, LR6, Mignon) entsprechend den Polungsmarkierungen (+ und -) im Batteriefach ein.
- 3 Schließen Sie den Batteriefachdeckel.

#### Hinweise

- Wenn die Statusanzeige (LED) nicht leuchtet, obwohl  $\phi$  gedrückt wird, wechseln Sie alle Batterien aus.
- Verwenden Sie niemals alte und neue Batterien gemeinsam.
- Verwenden Sie niemals gleichzeitig Batterien unterschiedlichen Typs (wie z.B. Alkali- und Manganbatterien). Lesen Sie die Aufschrift auf der Verpackung aufmerksam durch, da manche dieser Batterien sich unterscheiden können, obwohl sie die gleiche Form und Farbe aufweisen.
- Falls Sie das Gerät für längere Zeit nicht verwenden (länger als etwa 1 Monat), nehmen Sie die Batterien aus diesem Gerät.
- Falls die Batterien auslaufen sollten, entsorgen Sie diese unverzüglich. Vermeiden Sie eine Berührung des ausgelaufenen Materials, und lassen Sie dieses niemals in Kontakt mit Ihrer Kleidung usw. kommen. Reinigen Sie das Batteriefach gründlich, bevor Sie neue Batterien einsetzen.
- Die Batterien nicht mit dem normalen Haushaltsmüll wegwerfen, sondern in Übereinstimmung mit den örtlichen Vorschriften entsorgen.

## 1 Bei Verwendung einer Bluetooth-Verbindung



Pairing muss ausgeführt werden, wenn Bluetooth-Verbindungen zum ersten Mal ausgeführt werden oder wenn die Pairing-Daten gelöscht wurden. „Pairing“ bezieht sich hier auf die Registrierung von Mobiltelefonen usw. für Bluetooth-Kommunikation (im Folgenden als „andere Komponenten“ bezeichnet). Verfahren Sie wie folgt beim Pairing.



Zur Gewährleistung der Sicherheit ist eine Zeitgrenze von 8 Minuten für den Pairing-Vorgang gesetzt. Wir empfehlen, alle Bedienungsanweisungen vor dem Beginn gründlich zu lesen.

**1 Schalten Sie die andere Komponente zum Pairing ein.**

**2 Drücken Sie  $\phi$ , um dieses Gerät einzuschalten.**

**3 Halten Sie  $\text{\textcircled{3}}$  länger als 4 Sekunden gedrückt.**

Das Gerät ist auf den Pairing-Modus gestellt (die Statusanzeige blinkt blau).

**4-a [Für Komponenten mit Eingabetasten (Mobiltelefone, Computer usw.)] Bedienen Sie die andere Komponente zur Erkennung von Bluetooth-Komponenten.**

Für Einzelheiten beziehen Sie sich auf die Bedienungsanleitung der anderen Komponente.

**4-b [Für Komponenten ohne Eingabetasten (Bluetooth-Adapter usw.)]**

**Stellen Sie die andere Komponente auf den Pairing-Modus und gehen dann zu Schritt 7 weiter.**

Für Einzelheiten beziehen Sie sich auf die Bedienungsanleitung der anderen Komponente.

**5 Wählen Sie „NX-B02 YAMAHA“ aus der Liste der anderen Komponenten.**

**6 Wenn Sie zur Eingabe eines Passkey aufgefordert werden, geben Sie die Nummer „0000“ ein.**

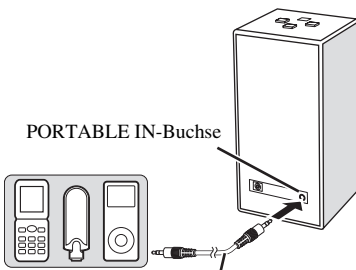
**7 Prüfen Sie, ob Pairing fertiggestellt ist.**

Die Statusanzeige blinkt schnell und zeigt an, dass der Pairing-Vorgang an diesem Gerät fertiggestellt ist. Prüfen Sie, ob der Pairing-Vorgang an der anderen Komponente ebenfalls fertig ist. Wenn die Statusanzeige nicht schnell blinkt oder der Pairing-Vorgang an der anderen Komponente fehlschlägt, beginnen Sie erneut mit Schritt 3.

### Hinweise

- Bluetooth-Kommunikation mit anderen Komponenten ist nicht möglich, während dieses Gerät im Pairing-Modus ist. Wenn der Pairing-Modus versehentlich eingestellt wird, drücken Sie  $\text{\textcircled{3}}$  kurz, um den Pairing-Modus aufzuheben.
- Für dieses Gerät kann Pairing mit bis zu acht anderen Komponenten ausgeführt werden. Wenn Pairing erfolgreich mit einer neunten Komponente ausgeführt wird und die Pairing-Daten registriert werden, werden die Pairing-Daten für die zuletzt verwendete andere Komponente gelöscht.
- Wenn die Stromversorgung für dieses Gerät während des Pairing-Vorgangs unterbrochen wird, können die Pairing-Daten beschädigt werden. In diesem Fall verfahren Sie, wie auf „Löschen der Pairing-Daten“ auf Seite 4 beschrieben und führen dann den Pairing-Vorgang erneut aus.

## 2 Bei Verwendung von Analog-Eingang



Handelsübliches 3,5-mm-Stereo-Minstecker-Kabel

**Verbinden Sie eine Audio-Ausgangsbuchse Ihres tragbaren Audio-Players mit der PORTABLE IN-Buchse dieses Geräts mit einem handelsüblichen 3,5-mm-Stereo-Minstecker-Kabel.**

### Hinweis

Vor dem Anschließen stellen Sie sicher, dass dieses Gerät ausgeschaltet ist.

## Verwendung dieses Geräts

### 1 Drücken Sie $\phi$ , um dieses Gerät einzuschalten.

Die Statusanzeige (LED) leuchtet auf.

### 2 Beginnen Sie mit der Wiedergabe von Ihrer Bluetooth-Komponente oder dem tragbaren Audio-Player.

### 3 Stellen Sie den Lautstärkepegel mit $\llcorner$ / $\lrcorner$ ein.



- Dieses Gerät ist ein Stereolautsprecher. Um eine feine Klangbalance zwischen links und rechts zu genießen, weisen Sie das Yamaha-Logo auf die Hörposition.
- Wenn dieses Gerät nicht verwendet wird, drücken Sie  $\phi$  zum Ausschalten dieses Geräts, um Strom zu sparen.



### ■ Nach der Verwendung dieses Geräts

#### 1 Beenden Sie die Wiedergabe von Ihrer Bluetooth-Komponente oder dem tragbaren Audio-Player.

#### 2 Drücken Sie $\phi$ , um dieses Gerät auszuschalten.

Die Statusanzeige (LED) schaltet aus.

### Hinweis

Während der Wiedergabe hat die Bluetooth-Verbindung Vorrang vor der Analogverbindung.

### ■ Über die Statusanzeige (LED)

LED-Status	Aktueller Status dieses Geräts
Leuchtet grün	Dieses Gerät ist eingeschaltet, und Wiedergabe geschieht von Ihrem tragbaren Audio-Player.
Leuchtet blau	Dieses Gerät ist eingeschaltet, und Wiedergabe geschieht von Ihrer Bluetooth-Komponente.
Blinkend	Dieses Gerät ist stummgeschaltet oder im Pairing-Modus.
Blinkt einmal	Die Lautstärke dieses Geräts ist auf Maximum oder Minimum gestellt.
Aus	Dieses Gerät ist ausgeschaltet, oder die Stromversorgung ist nicht angeschlossen.

## Löschen der Pairing-Daten

### 1 Stellen Sie sicher, dass dieses Gerät ausgeschaltet ist.

### 2 Halten Sie $\llcorner$ , $\lrcorner$ und $\text{Ⓢ}$ gedrückt und drücken Sie $\phi$ , um dieses Gerät einzuschalten.

Die Statusanzeige (LED) blinkt blau.

### 3 Drücken Sie $\text{Ⓢ}$ .

Dieses Gerät löscht die Pairing-Daten.

Wenn der Löschvorgang beendet ist, leuchtet die Statusanzeige (LED) grün auf.

# Störungsbeseitigung

Falls das aufgetretene Problem unten nicht aufgeführt ist, schalten Sie dieses Gerät aus, trennen die Stromversorgung ab, und wenden Sie sich an den nächsten autorisierten Yamaha-Fachhändler oder Kundendienst.

## Allgemeines

Problem	Ursache	Abhilfe
<b>Kein Sound.</b>	Die Verbindung zwischen diesem Gerät und der anderen Komponente ist nicht korrekt.	Schließen Sie das Kabel richtig an.
	Die Lautstärke ist auf das Minimum eingestellt.	Stellen Sie den Lautstärkepegel höher ein.
	Dieses Gerät ist stummgeschaltet.	Heben Sie die Stummschaltung auf.
	Netzteil ist nicht richtig angeschlossen.	Netzteil richtig anschließen.
	Die Batterien sind schwach.	Tauschen Sie alle Batterien aus.
<b>Der Lautstärkepegel ist instabil.</b>	Die Begrenzersteuerung wurde wegen zu starkem Eingangssignal aktiviert.	Stellen Sie den Lautstärkepegel niedriger ein.

## Bei Verwendung der Bluetooth-Verbindung

Problem	Ursache	Abhilfe
<b>Kann nicht Pairing mit der anderen Komponente für dieses Gerät ausführen.</b>	Die andere Komponente unterstützt nicht A2DP.	Führen Sie Pairing mit einer Komponente aus, die A2DP unterstützt.
	Ein Bluetooth-Adaptor usw., für den Sie Pairing mit diesem Gerät ausführen wollen, hat ein anderes Passwort als „0000“.	Verwenden Sie einen Bluetooth-Adaptor usw., dessen Passwort „0000“ ist.
	Falscher Abstand.	Stellen Sie dieses Gerät innerhalb von 10 m Abstand von der anderen Komponente auf.
	Es gibt ein Gerät in der Nähe (Mikrowellenherd, W-LAN usw.), das Signale im 2,4-GHz-Frequenzbereich ausstrahlt.	Stellen Sie das Gerät an einer anderen Stelle auf.
	Der Netzstecker der angeschlossenen Komponente ist abgezogen.	Schalten Sie die angeschlossene Komponente ein.
<b>Es wird kein Ton erzeugt, oder es treten bei der Wiedergabe Aussetzer auf.</b>	Die andere Komponente ist nicht über Bluetooth an dieses Gerät angeschlossen.	Wenn die Bluetooth-Kommunikation ausgefallen ist, neu anschließen.
	Falscher Abstand.	Stellen Sie dieses Gerät innerhalb von 10 m Abstand von der anderen Komponente auf.
	Es gibt ein Gerät in der Nähe (Mikrowellenherd, W-LAN usw.), das Signale im 2,4-GHz-Frequenzbereich ausstrahlt.	Stellen Sie das Gerät an einer anderen Stelle auf.
	Die Bluetooth-Funktion der anderen Komponente ist nicht aktiviert.	Prüfen Sie, ob die Bluetooth-Funktion der anderen Komponente richtig eingestellt ist.
	Dieses Gerät ist nicht auf der Bluetooth-Geräteleiste der anderen Komponente registriert.	Führen Sie die Pairing-Verfahren erneut aus.
	Die andere Komponente ist nicht auf Senden von Bluetooth-Audiosignalen an dieses Gerät eingestellt.	Prüfen Sie, ob die Bluetooth-Funktion der anderen Komponente richtig eingestellt ist.
	Die Pairing-Einstellung der anderen Komponente ist nicht für dieses Gerät eingestellt.	Stellen Sie die Pairing-Einstellung der anderen Komponente für dieses Gerät ein.
	Die Lautstärke der anderen Komponente ist auf das Minimum eingestellt.	Stellen Sie den Lautstärkepegel höher ein.

# Technische Daten

Lautsprechertyp .....	1-Box Stereo, Twin SR-Bass Magnetabschirmungs-Typ
Lautsprechertreiber .....	45 mm Ti-cone Vollbereich-Treiber x 2
Eingang (Analog) .....	3,5-mm-Stereo-Minibuchse 200 mV/20 k $\Omega$
Bluetooth .....	Ver. 2.0 + EDR Unterstützung A2DP Profil
Dynamikleistung .....	6 W x 2 (1 kHz, 6 $\Omega$ )
Max. Sofortleistung* .....	10 W x 2 (1 kHz, 6 $\Omega$ , 10% Klirrfaktor)
Eingangsempfindlichkeit .....	200 mV
Maximales Eingangssignal	
Analog-Eingang .....	2,0 V
Frequenzgang .....	90 Hz bis 20 kHz

Netzspannung/-frequenz .....	AC 100 bis 240 V, 50/60 Hz
Netzteil .....	AA, LR6, Mignon x 4
Batterie .....	Batterielebensdauer: 4 Stunden als Alkali (Ausgang: 10 mW + 10 mW)
Leistungsaufnahme .....	8 W
Betriebsumgebung	
Temperatur .....	+5 bis +35 $^{\circ}$ C
Abmessungen (B x H x T) .....	84 x 170 x 84 mm
Gewicht .....	600 g

\* Bezieht sich auf die Leistung die 100 ms lang kontinuierlich ausgegeben werden kann.

Änderungen des Designs und der technischen Daten bleiben vorbehalten.

## Bluetooth®

- Bluetooth ist eine Technologie für drahtlose Kommunikation zwischen Geräten innerhalb eines Abstands von ca. 10 Metern im 2,4-GHz-Frequenzbereich, einem Bereich der ohne eine Lizenz verwendet werden kann.
- Bluetooth ist ein eingetragenes Warenzeichen von Bluetooth SIG und wird von Yamaha im Rahmen einer Lizenzvereinbarung verwendet.

## ■ Umgang mit Bluetooth-Kommunikation

- Der 2,4-GHz-Frequenzbereich, der von Bluetooth-Geräten verwendet wird, ist ein Funkwellenbereich, der von vielen Typen von Geräten gemeinsam verwendet wird. Während Bluetooth-Geräte eine Technologie einsetzen, die den Einfluss anderer Komponenten im gleichen Frequenzbereich minimiert, können solche Einflüsse doch die Geschwindigkeit oder Reichweite der Kommunikation beeinträchtigen und in manchen Fällen die Kommunikation unterbrechen.
- Die Geschwindigkeit der Signalübertragung und der mögliche Kommunikationsabstand unterscheiden sich je nach Abstand zwischen den Kommunikationsgeräten, dem Vorhandensein von Hindernissen, den Funkwellenbedingungen und den Gerätetypen.
- Yamaha garantiert nicht für alle drahtlosen Verbindungen zwischen diesem Gerät und mit der Bluetooth-Funktion kompatiblen Geräten.

## Begrenzte Garantie für den Europäischen Wirtschaftsraum (EWR) und die Schweiz

Herzlichen Glückwunsch zur Wahl eines Yamaha-Produkts. In dem unwahrscheinlichen Fall, dass die Garantie für das Yamaha-Produkt in Anspruch genommen werden muss, wenden Sie sich bitte an den Händler, bei dem es gekauft wurde. Wenn dies schwierig ist, wenden Sie sich bitte an die Yamaha-Vertretung in Ihrem Land. Sie können alle Einzelheiten auf unserer Website finden (<http://www.yamaha-hifi.com/> oder <http://www.yamaha-uk.com/> für Einwohner Großbritanniens).

Wir garantieren für einen Zeitraum von zwei Jahren ab ursprünglichem Kaufdatum, dass dieses Produkt frei von Verarbeitungs- oder Materialfehlern ist. Yamaha garantiert im Rahmen der im Folgenden aufgeführten Bedingungen, das fehlerhafte Produkt oder jegliche Teile desselben nach Entscheidung Yamahas zu reparieren oder zu ersetzen, ohne dem Kunden Material- oder Arbeitskosten zu berechnen. Yamaha behält das Recht vor, ein Produkt mit einem der gleichen Art und/oder des gleichen Werts und Zustands zu ersetzen, wenn die Produktion eines Modells eingestellt wurde oder eine Reparatur als unwirtschaftlich betrachtet wird.

### Bedingungen

1. Die originale Rechnung oder der Verkaufsbeleg (mit Angabe von Kaufdatum, Produktcode und Händlername) MUSS das defekte Produkt begleiten, zusammen mit einer Beschreibung des Fehlers. Wenn kein eindeutiger Kaufbeleg vorhanden ist, behält Yamaha das Recht vor, den kostenlosen Kundendienst zu versagen und das Produkt auf Kundenkosten zurückzusenden.
2. Das Produkt MUSS von einem AUTORISIERTEN Yamaha-Händler innerhalb des Europäischen Wirtschaftsraums (EWR) oder der Schweiz gekauft worden sein.
3. Das Produkt darf nicht Modifikationen oder Änderungen unterzogen worden sein, ausgenommen wenn ausdrücklich von Yamaha autorisiert.
4. Folgendes ist von dieser Garantie ausgenommen:
  - a. Regelmäßige Wartung und Reparatur bzw. Austausch von Teilen aufgrund von normalem Verschleiß.
  - b. Schäden, bewirkt durch:
    - (1) Vom Kunden selber oder von nichtbefugten Dritten ausgeführte Reparaturen.
    - (2) Ungeeignete Verpackung oder Behandlung beim Transport des Produkts vom Kunden. Beachten Sie, dass es in der Verantwortung des Kunden liegt, sicherzustellen, dass das Produkt bei der Einreichung zur Reparatur angemessen verpackt ist.
    - (3) Missbrauch, einschliesslich – aber nicht beschränkt auf (a) Verwendung des Produkts für einen anderen als den vorgesehenen Zweck oder Missachtung von Yamahas Anweisungen zur richtigen Verwendung, Wartung und Lagerung und (b) Aufstellung oder Verwendung des Produkts auf eine Weise, die den technischen oder Sicherheitsstandards am Aufstellungsort widerspricht.
    - (4) Unfälle, Blitzschlag, Wasser, Feuer, falsche Lüftung, Batterieerlecks oder andere von Yamaha nicht vorhersehbare Ursachen.
    - (5) Defekte an dem System, in dieses Produkt eingebaut wird und/oder Inkompatibilität mit Produkten Dritter.
    - (6) Verwendung eines in den EWR und/oder die Schweiz importierten Produkts durch andere gesetzliche Personen als Yamaha, wobei das Produkt nicht mit den technischen oder Sicherheitsstandards des Verwendunglandes und/oder der Standardspezifikation eines von Yamaha im EWR und/oder der Schweiz verkauften Produkts übereinstimmt.
    - (7) Andere als auf den AV- (audio-visuellen) Bereich bezogene Produkte. (Produkte, die der „Yamaha AV-Garantieerklärung“ unterliegen, sind auf unserer Website bei <http://www.yamaha-hifi.com/> oder <http://www.yamaha-uk.com/> für Einwohner Großbritanniens definiert.)
5. Wo die Garantie zwischen dem Verkaufsland und dem Verwendungsland des Produkts unterscheidet, gilt die Garantie des Verwendungslandes.
6. Yamaha haftet nicht für jegliche entstehende Schäden oder Verluste, weder direkte Folgeschäden oder andere, in einem weiteren Umfang als durch Reparatur oder Austausch dieses Produktes.
7. Bitte sichern Sie jegliche Benutzereinstellungen oder Daten, da Yamaha nicht für Änderung oder Verlust solcher Einstellungen oder Daten haftet.
8. Diese Garantie beeinträchtigt nicht die gesetzlichen Rechte des Kunden unter dem geltenden nationalen Recht oder die Rechte des Kunden gegenüber dem Händler, die aus dem Verkaufs-/Kaufvertrag resultieren.

# OBSERVERA: Läs detta innan enheten tas i bruk.

Läs noga denna bruksanvisning för att tillförsäkra bästa möjliga prestanda. Förvara bruksanvisningen nära till hands för framtida referens.

- 1 Installera enheten på en välventilerad, sval, torr och ren plats - skyddade från direkt solljus, värmekällor, vibrationer, damm, fukt och/eller köld. (Använd/förvara inte enheten i en bil etc.)
- 2 Placera enheten på avstånd från andra elektriska apparater, motorer och transformatorer för att undvika brummande störljud.
- 3 Utsätt inte enheten för plötsliga temperaturväxlingar från kallt till varmt och placera den inte heller i en miljö med hög luftfuktighet (t.ex. i ett rum med en luftfuktare i) för att undvika kondensation på insidan av enheten, vilket kan orsaka elektriska stötar, brand, skada på enheten och/eller kroppsskada.
- 4 Undvik att installera enheten på en plats där det finns risk för att främmande föremål faller ner på enheten och/eller där den kan utsättas för droppande eller skvättande vätska. Placera INTE något av följande ovanpå enheten:
  - Andra komponenter, eftersom de kan orsaka skada och/eller missfärgning på enhetens ytterhölje.
  - Brinnande föremål (t.ex. levande ljus), eftersom de kan orsaka brand, skada på enheten och/eller kroppsskada.
  - Vätskefyllda behållare, eftersom de kan välta och innehållat orsaka livsfarliga elektriska stötar och/eller skada på enheten.
- 5 Täck inte över enheten med tidningspapper, dukar, gardiner e.dyl., så att värmeavledningen blockeras. Om temperaturen inuti enheten blir för hög kan det orsaka brand, skada på enheten och/eller kroppsskada.
- 6 Anslut inte enheten till ett nätuttag förrän samtliga övriga anslutningar är klara.
- 7 Använd inte enheten uppochnervänd. Den kan då överhettas, så att den troligtvis skadas.
- 8 Utsätt inte omkopplare, knappar och/eller kablar för hårdhänt hantering.
- 9 Håll i själva nätadaptern, när nätadaptern ska kopplas loss från nätuttaget. Dra aldrig i kabeln.
- 10 Rengör inte enheten med hjälp av kemiska lösningsmedel, eftersom det kan skada ytbehandlingen. Använd en ren, torr trasa.
- 11 Endast den spänning som står angiven på enheten får användas. Anslutning till en strömkälla med högre spänning än den som anges är farligt och kan orsaka brand, skada på enheten och/eller kroppsskada. Yamaha påtar sig inget ansvar för skada orsakad av att enheten används med en annan spänning än den som anges.
- 12 Försök inte själv modifiera eller laga enheten. Kontakta en kvalificerad Yamaha-reparatör vid behov av reparation. Höljet bör aldrig öppnas av någon anledning.
- 13 Dra ut nätadaptern ur nätuttaget, när enheten inte ämnas användas på ett bra tag (t.ex. före en semesterresa).
- 14 Läs igenom avsnittet "Felsökning" för att kontrollera att inget vanligt manövreringsfel föreligger, innan slutsatsen att det är något fel på enheten dras.
- 15 Tryck på  $\Phi$  för att stänga av enheten och koppla loss nätadaptern från nätuttaget, när enheten ska flyttas.
- 16 Använd endast den nätadapter som levereras med enheten. Användning av en annan nätadapter än den medföljande kan orsaka brand eller skada på enheten.
- 17 Placera apparaten nära nätuttaget och så att stickkontakten på nätadaptern lätt kan komma åt.
- 18 Koppla loss produkten från nätuttaget för att skydda den vid åskväder och när den inte ska användas under en längre tid. Produkten skyddas då från skador på grund av blixtnerslag eller överspänning i elnätet.
- 19 Utsätt inte batterierna för kraftig värme från exempelvis solljus, eld eller liknande.

Enhets är magnetiskt avskärmad, men det finns dock en liten risk att den kan påverka färgåtergivning om den ställs för nära en TV-apparat. Om detta inträffar ska du flytta enheten längre bort från TV:n.

Använd inte denna enhet inom 22 cm från personer som har pacemaker eller defibrillator inopererad.

## VARNING

UTSÄTT INTE ENHETEN FÖR REGN ELLER FUKT DÅ DETTA SKAPAR RISK FÖR BRAND ELLER ELSTÖTAR.

Den här enheten är inte bortkopplad från nätströmmen så länge den är inkopplad i vägguttaget, även om själva enheten är avstängd. Enheten är konstruerad för att förbruka en mycket liten mängd ström i detta tillstånd.

Den här symbolmarkeringen överensstämmer med EU-direktivet 2002/96/EC



Den här symbolmarkeringen innebär att elektrisk och elektronisk utrustning, när de tjänat ut, ska kastas bort avskilt från hushållsavfall.

Följ gällande lokala regler och kasta inte bort dina gamla produkter tillsammans med ditt vanliga hushållsavfall.

Användaren ska inte utföra avkoda, dekompile, ändra, översätta eller demonera mjukvaran använd i denna enhet, vare sig i delar eller helhet. För företagsanvändare, anställda i företaget så väl som affärspartners ska följa de restriktioner som är angivna i kontrakten vad avser denna klausul. Om betingelserna i denna klausul och de detta kontrakt inte kan följas ska användare omedelbart avbryta användandet av mjukvaran.

Vi, tillverkaren Yamaha, betygar härmed att NX-B02 är i överensstämmelse med de erforderliga krav och andra tillämpliga bestämmelser som anges i direktivet 1999/5/EC.

## OBSERVERA

Apparaten kopplas inte bort från växelströmskällan (nätet) så länge som den är ansluten till vägguttaget, även om själva apparaten har stängts av.

## ADVARSEL

Netspændingen til dette apparat er IKKE afbrudt, så længe netledningen sidder i en stikkontakt, som er t endt – også selvom der er slukket på apparatets afbryder.

## VAROITUS

Laitteen toisiopiriin kytetty käyttöktykin ei irroita koko laitetta verkosta.



# Inledning

## ◆ 2-vägs strömförsörjning

Beroende på aktuella omständigheter är det möjligt att välja någon av två olika strömförsörjningskällor: Nätadapter eller batterier.

## ◆ Bluetooth trådlös teknik

Med Bluetooth-teknik kan man få god ljudåtergivning utan kabelanslutningar.

## ◆ Äkta stereoljud

Med en högkvalitativ förstärkare, titanmembran och Yamahas unika SR-Bass-teknik kan ett ljud av mycket hög kvalitet uppnås.

## ◆ PowerStorage™ krets (Hög effekt på 20 W)

Yamahas unika effektteknik möjliggör en uteffekt på imponerande 20 W (Max. momentaneffekt).

## ■ Medföljande tillbehör

Nätadapter (DC 12 V, 1 A) .....	1
Adaptorns utseende kan variera beroende på var i världen högtalaren är köpt.	
Modell till Kina .....	MU12-2120100-A2
Modell till Europa .....	MU12-2120100-C5
Modell till Korea .....	MU12-2120100-C4
Modell till Storbritannien .....	MU12-2120100-B2

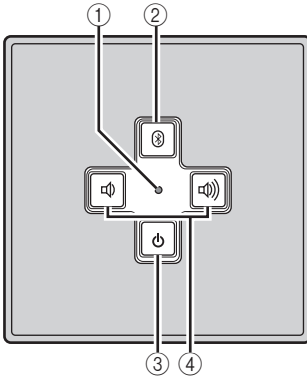
## SR-Bass

“Swing Radiator Bass™” är ett varumärke som tillhör YAMAHA CORPORATION.

## PowerStorage™

“PowerStorage™” är ett varumärke som tillhör YAMAHA CORPORATION.

# Kontroller och funktioner



### ① Statusindikator (lysdiod)

Denna indikator anger högtalarens aktuella tillstånd. Vi hänvisar till “Angående statusindikatorn (lysdiod)” på sidan 4 angående detaljer.

### ② ③ (Bluetooth/ljudavstängningsknapp)

Ställer denna enhet i pairing-läget för att använda Bluetooth-anslutning, eller stänger av ljudet. För att avbryta ljudavstängningen, tryck på ③ igen eller ②/③). Statusindikatorn blinkar under ljudavstängning.

### ③ ⏻ (Strömknapp)

Tryck här för att slå på högtalaren. Tryck på ⏻ igen för att slå av denna enhet. Strömindikatorn lyser medan denna enhet är påslagen.

### ④ 🔊/🔇 (volymknappar)

Vrid för att reglera volymnivån. Tryck på 🔊) för att höja volymnivån och tryck på 🔇) för att sänka den.

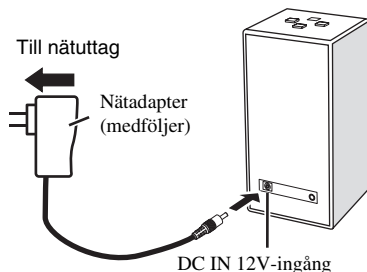


# Anslutningar

Välj ett av de två tillvägagångssätten för strömförsörjning och ljudanslutningar beroende på hur enheten ska användas.

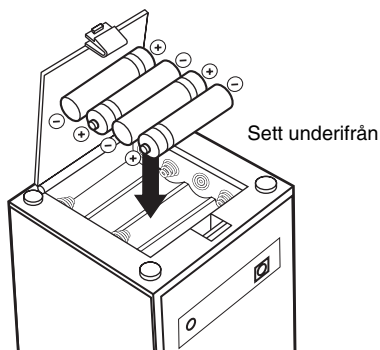
## Strömförsörjning

### 1 När en nätadapter används



- 1 Anslut den medföljande nätadaptern till DC IN 12V-ingången på baksidan av denna enhet.
- 2 Anslut nätadaptern till ett lämpligt nätuttag.

### 2 Strömförsörjning med batterier



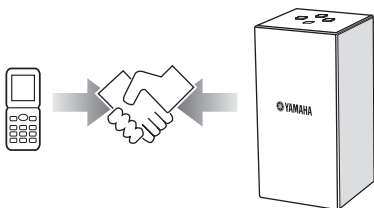
- 1 Öppna locket till batterifacket på undersidan av denna enhet.
- 2 Sätt i 4 separat införskaffade batterier (AA, LR6, UM-3) i enlighet med polmarkeringarna (+ och -) på insidan av batterifacket.
- 3 Stäng locket till batterifacket.

#### Anmärkningar

- När statusindikatorn (lysdiod) inte lyser trots att  $\text{⏻}$  har tryckts in, byt ut alla batterierna.
- Använd inte gamla batterier tillsammans med nya batterier.
- Använd inte olika typer av batterier (t.ex. alkaliska batterier och manganbatterier) tillsammans. Läs noggrant vad som står på förpackningen för vissa batterier kan vara av annan typ även om de har samma form och färg.
- Ta ut batterierna ur denna enhet, när den inte ska användas under en längre tid (mer än en månad).
- Gör dig av med batterierna omedelbart om de skulle ha läckt. Undvik att vidröra det ämne som har läckt ut, och försök undvika att det kommer i kontakt med kläder etc. Rengör batterifacket noggrant innan nya batterier sätts i.
- Kasta inte batterier tillsammans med vanliga hushållssopor, utan avyttra dem på korrekt sätt i enlighet med gällande lokala föreskrifter.

## Ljudanslutningar

### 1 När Bluetooth-anslutning används



Parning måste utföras när Bluetooth-anslutning används för första gången eller om parningsdatat har raderats. Med "pairing" menas att man registrerar mobiltelefoner etc. för Bluetooth-kommunikation (i det följande kallade "övriga komponenter"). Genomför proceduren som beskrivs nedan för att genomföra pairing.

För att garantera säkerheten, finns det en tidsgräns på 8 minuter för att genomföra pairing-operationen. Det rekommenderas att du läser igenom och fullt förstår alla anvisningarna innan du sätter igång.

**1 Slå på strömmen till den andra komponenten med vilken pairing ska göras.**

**2 Tryck på  $\text{⏻}$  för att slå på högtalaren.**

**3 Tryck in och håll  $\text{Ⓜ}$  intryckt i mer än 4 sekunder.**

Högtalaren ställs i parningsläge (statusindikatorn blinkar blå).

**4-a [För komponenter med inmatningstangenter (mobiltelefoner, datorer etc.)]  
Manövrera den andra komponenten för att identifiera Bluetooth-komponenter.**

För närmare information hänvisas till bruksanvisningen till den andra komponenten.

**4-b [För komponenter utan inmatningstangenter (Bluetooth-adaptrar etc.)]**

**Ställ den andra komponenten i parningsläge och gå sedan vidare till punkt 7.**

För närmare information hänvisas till bruksanvisningen till den andra komponenten.

**5 Välj "NX-B02 YAMAHA" från listan i den andra komponenten.**

**6 Om du blir ombedd att mata in ett lösenord, mata in "0000".**

**7 Kontrollera att parning är slutförd.**

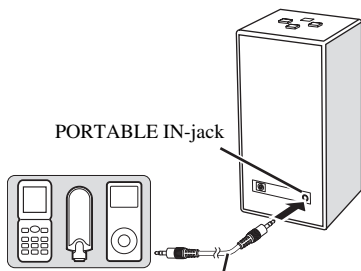
Statusindikatorn blinkar snabbt, vilket indikerar att pairing-processen på denna enhet har slutförts.

Kontrollera att pairing-processen på den andra komponenten också har slutförts. Om statusindikatorn inte blinkar snabbt eller om pairing-processen på den andra komponenten misslyckas, börja om från steg 3.

#### Anmärkningar

- Bluetooth-kommunikation med andra komponenter är inte möjlig medan högtalaren står i parningsläge. Om parnings-läget oavsiktligt kopplas in, tryck på  $\text{Ⓜ}$  helt kort för att koppla ur parning-läget.
- Med denna enhet kan pairing göras med åtta andra komponenter som mest. När pairing genomförs korrekt med en nionde komponent och pairing-data registreras, raderas pairing-data för den övriga komponent som har använts minst den senaste tiden.
- Om strömförsörjningen till denna enhet bryts under pairing-operationen, kan det hända att pairing-data skadas. Om detta skulle hända, genomför proceduren beskriven i "Att ta bort pairing-data" på sidan 4 och genomför pairing på nytt.

### 2 När analoga anslutningar används



Kabel med 3,5 mm stereominikontakter som finns i handeln

**Anslut en kabel med 3,5 mm stereominikontakter som finns i handeln till en ljudutgång på den bärbara ljudspelaren och till ingången PORTABLE IN på denna enhet.**

#### Anmärkning

Kontrollera att denna enhet är avslagen, innan några anslutningar görs.

# Användning av högtalaren


## 1 Tryck på för att slå på högtalaren.

Statusindikatorn (lysdiod) tänds.

## 2 Starta uppspelning på Bluetooth-komponenten eller den bärbara spelaren.

## 3 Reglera volymnivån med .



- Denna enhet är en stereohögtalare. Placera högtalaren med Yamaha-logotypen vänd mot lyssningsplatsen för att erhålla korrekt balans mellan höger och vänster ljud.
- När denna enhet inte används, tryck på  för att slå av denna enhet för att spara ström.



## ■ Efter användning av högtalaren

### 1 Stoppa uppspelning på Bluetooth-komponenten eller den bärbara spelaren.

### 2 Tryck på för att slå av högtalaren.

Statusindikatorn (lysdiod) slocknar.

## ■ Angående statusindikatorn (lysdiod)

Lyddiodens tillstånd	Högtalarens aktuella tillstånd
Lyser grönt	Denna enhet är påslagen och återger ljudet från en bärbar ljudspelare.
Lyser blått	Denna enhet är påslagen och återger ljudet från en Bluetooth-komponent.
Blinkar	Ljudet är avstängt eller denna enhet står i pairing-läget.
Blinkar en gång	Volymen på denna enhet står på högsta eller lägsta nivå.
Släckt	Högtalaren är avslagen eller ingen strömkälla är ansluten.

# Att ta bort pairing-data

## 1 Se till att denna enhet är avstängd.

## 2 Medan du trycker in och håller och , tryck på för att slå på denna enhet.

Statusindikatorn (lysdiod) blinkar blått.

## 3 Tryck på .

Detta enhet tar bort pairing-data.

När borttagningen är slutförd, börjar statusindikatorn (lysdiod) att lysa grönt.

# Felsökning

Om ett problem som inte anges nedan inträffar, så stäng av högtalaren, koppla bort strömkällan och kontakta närmaste auktoriserade Yamaha-handlare eller -servicecenter.

## General

Problem	Orsak	Åtgärd
<b>Inget ljud.</b>	Anslutningen mellan denna enhet och den andra komponenten är inte korrekt.	Anslut kabeln ordentligt.
	Volymen är inställd på minimal nivå.	Höj volymnivån.
	Ljudet är avstängt på högtalaren.	Avbryt ljudavstängningen.
	Nätadaptern är inte korrekt ansluten.	Anslut nätadaptern korrekt.
	Batterierna är svaga.	Byt ut alla batterierna.
<b>Volymnivån är inte stabil.</b>	Begränsningskontrollen har aktiverats på grund av för hög innivå.	Sänk volymnivån.

## När Bluetooth-anslutning används

Problem	Orsak	Åtgärd
<b>Det går inte att genomföra pairing mellan denna enhet och en annan komponent.</b>	Den andra komponenten stöder inte A2DP.	Genomför pairing-operationer med en komponent som stöder A2DP.
	En Bluetooth-adaptter etc. som ska paras med högtalaren har ett annat lösennummer än "0000".	Använd en Bluetooth-adaptter etc. vars lösennummer är "0000".
	Felaktigt avstånd.	Flytta denna enhet så att den står inom 10 meter från den andra komponenten.
	Det finns i närheten någon apparat (mikroovågsugn, trådlöst LAN etc.) som matar ut signaler på frekvensbandet 2,4 GHz.	Flytta på denna enhet.
	Strömmen till den anslutna komponenten är avslagen.	Slå på den anslutna komponenten.
<b>Inget ljud återges eller ljudet avbryts under uppspelning.</b>	Den andra komponenten är inte ansluten till denna enhet med Bluetooth.	Om Bluetooth-kommunikationen har gått förlorad, anslut på nytt.
	Felaktigt avstånd.	Flytta denna enhet så att den står inom 10 meter från den andra komponenten.
	Det finns i närheten någon apparat (mikroovågsugn, trådlöst LAN etc.) som matar ut signaler på frekvensbandet 2,4 GHz.	Flytta på denna enhet.
	Den andra komponentens Bluetooth-funktion är inte aktiverad.	Kontrollera att Bluetooth-funktionen på den andra komponenten är korrekt inställd.
	Denna enhet är inte registrerad på den andra komponentens lista över Bluetooth-enheter.	Genomför pairing-operationer på nytt.
	Den andra komponenten är inte inställd att sända Bluetooth ljudsignaler till denna enhet.	Kontrollera att Bluetooth-funktionen på den andra komponenten är korrekt inställd.
	Pairing-inställningen på den andra komponenten är inte inställd för denna enhet.	Ställ in pairing-inställningen på den andra komponenten för denna enhet.
	Volymen på den andra komponenten är inställd på lägsta nivå.	Höj volymnivån.

## Tekniska data

Högtalartyper .....	1 låda stereo, Twin SR-Bass Magnetiskt avskärmade
Drivelement .....	45 mm koniska fullbands titanelement x 2
Ingång (analog) .....	3,5 mm stereominijack 200 mV/20 kΩ
Bluetooth .....	Ver. 2.0+EDR Stöd för A2DP-profil
Dynamisk effekt .....	6 W x 2 (1 kHz, 6 Ω)
Max. momentaneffekt*	10 W x 2 (1 kHz, 6 Ω, 10% övertonsdistorsion)
Inkänslighet .....	200 mV
Maximal insignal	
Analog inmatning .....	2,0 V
Frekvensåtergivning .....	90 Hz till 20 kHz

Strömförsörjning	
Nätadapter .....	100 till 240 V växelström, 50/60 Hz
Batterier .....	AA, LR6, UM-3 x 4
	Batterilivslängd: 4 timmar för alkaliska (Uteffekt: 10 mW + 10 mW)
Strömförbrukning .....	8 W
Användningsmiljö	
Temperatur .....	+5 till +35 °C
Yttermått (B x H x D) .....	84 x 170 x 84 mm
Vikt .....	600 g

\* Anger den effekt som kan matas ut kontinuerligt i 100 ms.

Observera att alla tekniska data är föremål för ändringar utan föregående meddelande.

## Bluetooth®

- Bluetooth är en teknik för trådlös kommunikation mellan apparaten inom ett område på runt 10 meter och använder sig av frekvensbandet 2,4 GHz, ett band som kan användas utan licens.
- Bluetooth är ett registrerat varumärke tillhörande Bluetooth SIG och används av Yamaha i enlighet med en licensöverenskommelse.

## ■ Att handskas med Bluetooth-kommunikationer

- 2,4 GHz bandet som används av Bluetooth-kompatibla apparater är ett radioband som delas av många typer av utrustning. Även om det är så att Bluetooth-kompatibla apparater använder en teknik som minimerar inverkan från andra komponenter som använder samma radioband, så kan sådan inverkan sänka hastigheten eller minska kommunikationsavståndet och i vissa fall avbryta kommunikationen.
- Hastigheten på signalöverföringen och det avstånd på vilket kommunikation är möjlig, skiljer sig beroende på avståndet mellan kommunicerande apparater, förekomsten av hinder, radiovågsförhållanden och typen av utrustning.
- Yamaha garanterar inte alla trådlösa anslutningar mellan högtalaren och Bluetooth-kompatibla enheter.

### Begränsad garanti inom EES-området och Schweiz

Tack för att du har valt en produkt från Yamaha. Var god kontakta återförsäljaren av produkten, om din Yamaha-produkt av någon oförutsett anledning kräver garantiservice. Var god kontakta Yamahas representantkontor i ditt land, om något problem uppstår. Fullständig information återfinns på vår webbplats (<http://www.yamaha-hifi.com/> eller <http://www.yamaha-uk.com/> för boende i Storbritannien).

Produkten garanteras vara felfri när det gäller utförande och material i en period på två år från ursprungligt inköpsdatum. Yamaha åtar sig att, i enlighet med nedanstående villkor, reparera, eller efter eget gottfinnande byta ut, en felaktig produkt eller någon av dess delar, utan att debitera för delar eller arbete. Yamaha förbehåller sig rätten att byta ut en produkt mot en av liknande typ och/eller värde och skick, då en viss modell har upphört eller anses oekonomisk att reparera.

#### Villkor

1. Ursprunglig faktura eller ursprungligt försäljningskvitto (där inköpsdatum, produktkod och återförsäljarens namn står angivet) MÅSTE följa med den felaktiga produkten, tillsammans med uppgifter om aktuellt fel. I avsaknad av ett tydligt bevis på inköp förbehåller sig Yamaha rätten att vägra erbjuda avgiftsfri service och produkten kan då komma att återsändas på kundens bekostnad.
2. Produkten MÅSTE vara köpt av en AUKTORISERAD Yamaha-återförsäljare i ett EES-land eller Schweiz.
3. Produkten får inte ha blivit utsatt för någon modifiering eller förändring, såvida inte skriftligt tillstånd för detta erhållits av Yamaha.
4. Denna garanti inkluderar ej följande:
  - a. Periodiskt underhåll och reparation eller utbyte av delar på grund av normal förslitning.
  - b. Skada orsakad av:
    - (1) Reparation utförd av kunden själv eller av en icke-auktoriserad tredje part.
    - (2) Bristfällig emballering eller ovarsam hantering under transporten av produkten från kunden. Observera att det är kundens ansvar att se till att produkten är ordentligt emballerad, när produkten sänds in för reparation.
    - (3) Felaktig användning, inklusive men ej begränsat till (a) underlåtenhet att använda produkten för dess normala syfte eller i enlighet med Yamahas anvisningar för korrekt användning, underhåll och förvaring och (b) installation eller användning av produkten på ett sätt som är oförenligt med de tekniska eller säkerhetsmässiga normer som gäller i det land där produkten används.
    - (4) Olycka, åska, vatten, brand, dålig ventilation, batteriläckage eller någonting annat utanför Yamahas kontroll.
    - (5) Fel på det system som denna produkt införlivas i och/eller inkompatibilitet med tredje parts produkter.
    - (6) Användning av en produkt importerad till ett EES-land och/eller Schweiz, ej av Yamaha, där den produkten inte är i överensstämmelse med de tekniska eller säkerhetsmässiga normer som gäller i användarlandet och/eller med standardspecifikationen för en produkt såld av Yamaha i EES-området och/eller Schweiz.
    - (7) Produkter utan audiovisuell anknytning.  
(Produkter föremål för "Yamaha AV Guarantee Statement" definieras på vår webbplats: <http://www.yamaha-hifi.com/> eller <http://www.yamaha-uk.com/> för boende i Storbritannien.)
5. Om garantin skiljer sig åt mellan inköpslandet och användarlandet för produkten, så ska den garanti som gäller i användarlandet tillämpas.
6. Yamaha kan ej hållas ansvarigt för några förluster eller skador, vare sig direkta, indirekta eller av annat slag, utom reparationen eller utbytet av produkten.
7. Se till att säkerhetskopiera eventuella egna inställningar eller data, eftersom Yamaha inte kan hållas ansvarigt för några ändringar eller förluster av sådana inställningar eller data.
8. Denna garanti påverkar ej konsumentens lagstadgade rättigheter enligt gällande nationella lagar eller konsumentens rättigheter gentemot återförsäljaren, vilka uppkommit genom gällande försäljnings/köpekontrakt.

## ATTENZIONE: Prima di usare quest'unità, leggere la sezione seguente.

Per assicurarsi le migliori prestazioni di quest'unità, leggerne con attenzione il manuale. Tenere quest'ultimo in un luogo sicuro per poterlo consultare di nuovo.

- 1 Installare quest'unità in una posizione ben ventilata, fresca, asciutta e pulita - lontano da luce solare diretta, sorgenti di calore, vibrazioni, polvere, umidità e/o freddo. (Non usare/tenere quest'unità in una vettura o altro luogo simile.)
- 2 Installare quest'unità lontano da elettrodomestici, motori e trasformatori in modo che non si producano rumori.
- 3 Non esporre quest'unità a improvvise variazioni di temperatura e non esporla ad elevati tassi di umidità (ad esempio in una stanza con un umidificatore) per evitare che in essa si formi condensa, la quale potrebbe causare folgorazioni, incendi, danni e/o infortuni.
- 4 Evitare di installare quest'unità dove degli oggetti possano cadervi o dove in essa possano entrare dei liquidi. NON mettere su quest'unità:
  - Altri componenti, dato che essi possono causare danni e scoloriture sulla superficie di quest'unità.
  - Oggetti in fiamme (ad esempio candele), dato che possono causare incendi, danni a quest'unità e infortuni.
  - Contenitori contenenti liquidi, dato che possono cadere ed il liquido può causare folgorazioni all'utente o danni a quest'unità.
- 5 Non coprire quest'unità con un giornale, un panno, una tenda, ecc. in modo da non impedire la dispersione del calore. Se la temperatura in essa dovesse salire, può causare incendi, danni a quest'unità ed infortuni.
- 6 Non collegare quest'unità ad una presa di corrente alternata se non dopo che i collegamenti sono stati terminati.
- 7 Non usare quest'unità invertita. Essa potrebbe altrimenti surriscaldarsi e danneggiarsi.
- 8 Non usare forza nell'usare interruttori, manopole e/o cavi.
- 9 Per scollegare un adattatore di corrente alternata, fare presa sull'adattatore di corrente alternata stesso e non sul cavo.
- 10 Non pulire quest'unità con solventi chimici; essi possono danneggiare le finiture. Usare solo un panno soffice e pulito.
- 11 Usare per quest'unità solo corrente del voltaggio specificato. L'uso con voltaggi superiori è pericoloso e si possono causare incendi, danni a quest'unità e infortuni. Yamaha non può venire considerata responsabile di danni dovuti all'uso di corrente elettrica di voltaggio diverso da quello prescritto.
- 12 Non tentare di modificare o riparare quest'unità. Per qualsiasi intervento, entrare in contatto con personale autorizzato Yamaha. Il cabinet non deve venire aperto per alcuna ragione.
- 13 Se si prevede di non dover usare quest'unità per qualche tempo, ad esempio prima di andare in vacanza, scollegare l'adattatore di corrente alternata dalla presa di corrente alternata.
- 14 Prima di concludere che quest'unità è guasta, leggere sempre la sezione "Diagnostica", che riguarda comuni errori di uso della stessa.
- 15 Prima di spostare quest'unità, premere il pulsante  $\Phi$  per spegnerla e scollegare l'adattatore di corrente alternata dalla presa a muro.
- 16 Non mancare di usare solo l'adattatore di corrente alternata in dotazione a quest'unità. Usando un adattatore di corrente alternata diverso si possono causare incendi e guasti.
- 17 Installare quest'unità vicino ad una presa di corrente alternata e dove l'adattatore di corrente alternata possa venire facilmente staccato.
- 18 Per proteggere quest'unità da guasti durante un temporale o quando non viene usata per qualche tempo, scollegarne la spina di alimentazione dalla presa. Questo previene danni al prodotto dovuti a fulmini e ad aumenti della tensione di rete.
- 19 Le batterie vanno protette da calore eccessivo, ad esempio luce solare diretta, fiamme, e così via.

Quest'unità ha un design a schermatura magnetica, ma l'installazione dello stesso troppo vicino ad un televisore può causare una riduzione dei colori dell'immagine. In tal caso, allontanare l'unità dal televisore.

Non utilizzare questa unità entro 22 cm da persone con un pacemaker cardiaco o un defibrillatore impiantato.

### AVVERTENZA

PER RIDURRE IL RISCHIO DI INCENDI E FOLGORAZIONI, NON ESPORRE QUEST'UNITÀ A PIOGGIA O UMIDITÀ.

Questa unità non viene scollegata dalla fonte di alimentazione CA fintanto che essa rimane collegata alla presa di rete, ciò anche se l'unità viene spenta. In questa condizione, quest'unità consuma una quantità molto piccola di energia.

Il simbolo utilizzato è conforme alla norma europea 2002/96/EC.



Questo simbolo significa che gli equipaggiamenti elettrici ed elettronici giunti alla fine del loro ciclo di vita, devono essere smaltiti separatamente dai vostri normali rifiuti. Agite secondo la vostra normativa locale e non smaltite i vostri vecchi prodotti con i rifiuti normali di casa.

L'utente non deve eseguire reverse engineering, decompilare, alterare, tradurre o smontare il software utilizzato in questa unità, sia in parte che nella sua totalità. Gli utenti aziendali, sia impiegati dell'azienda stessa che partner in affari, dovranno osservare gli accordi contrattuali contenuti in questa clausola. Se quanto stipulato in questa clausola ed in questo contratto non potesse essere osservato, l'utente dovrà immediatamente interrompere l'utilizzo di questo software.

Noi, il fabbricante Yamaha, con questo dichiariamo che NX-B02 si trova in osservanza dei requisiti essenziali e delle altre normative pertinenti della direttiva 1999/5/EC.



# Introduzione

## ◆ Alimentazione a 2 vie

Potete scegliere una delle due modalità di alimentazione a seconda delle circostanze: Adattatore di c.a. o batterie.

## ◆ La tecnologia wireless Bluetooth

Grazie alla tecnologia wireless Bluetooth, è possibile ottenere suoni chiari senza usare alcun filo.

## ◆ Suono in vero stereo

L'amplificatore di alta qualità, il diaframma in titanio e la tecnologia SR-Bass esclusiva di Yamaha producono suoni di altissima qualità.

## ◆ Circuito PowerStorage™ (Potenza da ben 20 W)

La tecnologia esclusiva Yamaha permette la produzione di ben 20 W di uscita (Potenza massima istantaneo).

## ■ Accessorio in dotazione

Adattatore di c.a. (c.c. a 12 V, 1 A) .....	1
La forma dell'adattatore può variare a seconda dell'area di acquisto.	
Modello per la Cina .....	MU12-2120100-A2
Modello per Europa .....	MU12-2120100-C5
Modello per la Corea .....	MU12-2120100-C4
Modello per la GB .....	MU12-2120100-B2

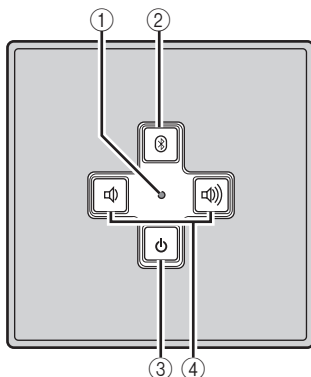
### SR-Bass

"Swing Radiator Bass™" è un marchio di fabbrica della YAMAHA CORPORATION.

### PowerStorage™

"PowerStorage™" è un marchio di fabbrica della YAMAHA CORPORATION.

# Comandi e loro funzione



### ① Indicatore di status (LED)

Indica lo status attuale di quest'unità. Per maggiori dettagli, consultare la sezione "L'indicatore di status (LED)" a pagina 4.

### ② ③ (Pulsante Bluetooth/silenziamento)

Porta quest'unità in modalità di accoppiamento ("pairing") per collegarsi via Bluetooth o far tacere il suono. Per cancellare la modalità di silenziamiento, premere di nuovo ③ o premere ④/⑤. L'indicatore di stato lampeggia durante il silenziamiento.

### ③ ④ (Pulsante di accensione)

Accende quest'unità. Premere di nuovo ④ per spegnere quest'unità. Quando quest'unità è accesa, l'indicatore di accensione si accende.

### ④ ⑤/⑥ (Pulsanti del volume)

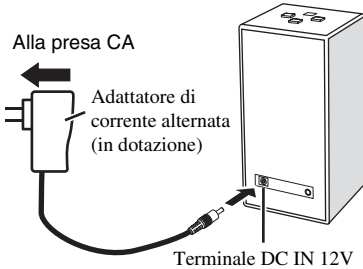
Regola il volume. Premere ⑤ per aumentare il volume e ⑥ per diminuirlo.

# Collegamenti

Scegliere una delle due modalità di alimentazione e gli ingressi audio a seconda delle circostanze.

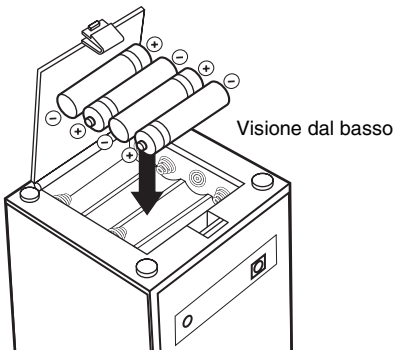
## Alimentazione

### 1 Se si usa un adattatore di c.a.



- 1 Collegare l'adattatore di c.a. in dotazione al terminale DC IN 12V sul retro dell'unità.
- 2 Collegare l'adattatore di corrente alternata.

### 2 Per usare batterie



- 1 Aprire il coperchio del vano batterie sul fondo dell'unità.
- 2 Inserire 4 batterie acquistate separatamente (AA, LR6, UM-3) orientandone le polarità (+ e -) all'interno del vano batterie.
- 3 Chiudere il coperchio del vano batterie.

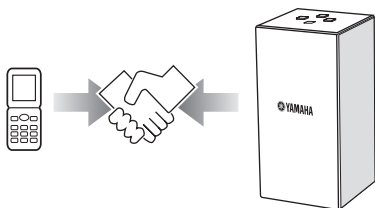
#### Note

- Quando l'indicatore di stato (LED) non si accende nonostante  $\Phi$  venga premuto, cambiare tutte le batterie.
- Non usare insieme batterie vecchie e nuove.
- Non usare insieme batterie di tipo differente, ad esempio alcaline e al manganese. Leggere bene le istruzioni di uso, perché alcune batterie possono essere differenti nonostante abbiano la stessa forma e colore.
- Se si prevede di non dover usare quest'unità per lungo tempo (oltre un mese), rimuovere le batterie da quest'unità.
- Se le batterie perdono, gettarle immediatamente. Non toccare l'acido da esse uscito e non farlo entrare in contatto con abiti ed altri oggetti. Pulire immediatamente e accuratamente il vano batterie, e solo allora installare batterie nuove.
- Non gettare le batterie nelle immondizie; gettarle nel modo stabilito per legge nella propria zona di residenza.



## Ingressi audio

### 1 Se si usa un collegamento Bluetooth



Il cosiddetto pairing deve venire fatto al primo uso di un collegamento Bluetooth o se i dati del pairing precedente sono stati perduti. Il termine “Pairing” indica l’operazione di registrazione di telefoni portatili o altri apparecchi (d’ora in poi chiamati “altri componenti”) per la comunicazione via Bluetooth. Per il pairing, usare la procedura che segue.



Per motivi di sicurezza, l’operazione di pairing deve avvenire entro 8 minuti. Prima di iniziare, si raccomanda di leggere e comprendere bene le istruzioni.

**1 Accendere l’altro componente con cui ci si vuole accoppiare.**

**2 Premere  per accendere quest’unità.**

**3 Tener premuto  per oltre 4 secondi.**

Questo dispositivo si porta in modalità di pairing (l’indicatore di stato lampeggia in blu).

**4-a [Per componenti dotati di pulsanti di ingresso dati (ad esempio telefoni cellulari, computer, ecc.).]**

**Usare l’altro componente in modo da rilevare i componenti Bluetooth presenti.**

Per dettagli, consultare le istruzioni di uso dell’altro componente.

**4-b [Per componenti privi di pulsanti di ingresso dati (ad esempio adattatori Bluetooth, ecc.)]**

**Portare l’altro componente in modalità di pairing e procedere con la fase 7.**

Per dettagli, consultare le istruzioni di uso dell’altro componente.


**5 Scegliere “NX-B02 YAMAHA” dalla lista dell’altro componente.**

**6 Se vi viene chiesto un password, digitare il numero “0000”.**

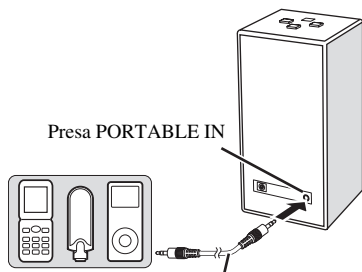
**7 Controllare che il pairing sia completo.**

L’indicatore di status lampeggia rapidamente ad indicare che il processo di pairing in quest’unità è completato. Controllare che il processo di pairing sia finito anche nell’altro componente. Se l’indicatore di stato non lampeggia rapidamente o se il pairing dell’altro componente fallisce, ripartire dalla fase 3.

#### Note

- La comunicazione via Bluetooth con altri componenti non è possibile in modalità di pairing. Se questa viene impostata per errore, premere  brevemente per cancellarla.
- Quest’unità può venire accoppiata con fino ad otto altri componenti. Se il pairing ha successo con un nono componente ed i dati di pairing vengono registrati, i dati del componente usato meno di recente vengono cancellati.
- Se l’alimentazione di quest’unità viene interrotta durante il pairing, i dati di pairing possono venire danneggiati. In tal caso, eseguire l’operazione “Cancellazione dei dati di pairing” a pagina 4 e quindi ripetere il pairing.

### 2 Se si usa un ingresso analogico





Cavo con mini spinotto stereo da 3,5 mm disponibile in commercio

**Collegare la presa di uscita audio del proprio lettore audio portatile alla presa PORTABLE IN di quest’unità con un cavo a mini spinotto stereo da 3,5 mm disponibile in commercio.**

#### Nota

Prima di fare i collegamenti, controllare che quest’unità sia spenta.


## Uso di quest'unità

- 1 Premere  per accendere quest'unità.**  
L'indicatore di status (LED) si accende.
- 2 Dare inizio alla riproduzione col componente Bluetooth o col lettore audio portatile.**
- 3 Regolare il volume usando .**

### Nota


Durante la riproduzione, il collegamento Bluetooth ha la priorità su quello analogico.



- Quest'unità è un diffusore stereo. Per poter godere di un buon bilanciamento dei canali sinistro e destro, rivolgere il logo Yamaha verso la posizione di ascolto.
- Se quest'unità non è in uso, premere  per spegnerla e risparmiare energia.



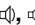



### ■ Dopo aver usato quest'unità

- 1 Fermare la riproduzione col componente Bluetooth o col lettore audio portatile.**
- 2 Premere  per spegnere quest'unità.**  
L'indicatore di status (LED) si spegne.

### ■ L'indicatore di status (LED)

Status del LED	Lo status attuale di quest'unità.
<b>Acceso in verde</b>	Quest'unità è accesa e riproduce il segnale del vostro lettore audio portatile.
<b>Acceso in blu</b>	Quest'unità è accesa e riproduce il segnale del vostro componente Bluetooth.
<b>Lampeggia</b>	Quest'unità è in modalità di silenziamento o di pairing.
<b>Lampeggia una volta</b>	Il volume di quest'unità è al massimo o al minimo.
<b>Spento</b>	Quest'unità è spenta o la sua sorgente di energia non è collegata.

## Cancellazione dei dati di pairing

- 1 Accertarsi che questa unità sia spenta.**
- 2 Tenendo premuti  e , premere  per accendere questa unità.**  
L'indicatore (LED) di stato lampeggia in blu.
- 3 Premere .**  
Quest'unità cancella i dati di pairing.  
A pairing terminato, l'indicatore (LED) di stato diviene verde.

# Diagnostica

Se il problema accusato non è elencato in questa sezione, spegnere l'unità, scollegare la sorgente di energia ed entrare in contatto con il rivenditore autorizzato o centro assistenza Yamaha più vicino.

## Problemi di carattere generale

Problema	Causa	Rimedio
<b>Mancata riproduzione.</b>	Il collegamento fra quest'unità e l'altro componente è scorretto.	Collegare correttamente il cavo.
	Il volume si trova sul minimo.	Aumentare il volume.
	Quest'unità è silenziata.	Cancellare il silenziamento.
	L'adattatore di c.a. non è collegato correttamente.	Collegare correttamente l'adattatore di c.a.
	Le batterie sono indebolite.	Sostituire tutte le batterie.
<b>Il livello del volume non è stabile.</b>	Il limitatore di segnale si è attivato per il livello eccessivo del segnale.	Diminuire il volume.

## Se si usa un collegamento Bluetooth

Problema	Causa	Rimedio
<b>Non è possibile accoppiare quest'unità con un altro componente.</b>	L'altro componente non supporta il profilo A2DP.	Eseguire il pairing con un componente che supporta il profilo A2DP.
	Un adattatore Bluetooth o altro con cui volete fare in pairing con questa unità ha un password diverso da "0000".	Usare un adattatore Bluetooth che abbia come password "0000".
	Distanza scorretta.	Portare quest'unità entro 10 m dall'altro componente.
	C'è un dispositivo vicino (forno a microonde, LAN wireless, ecc.) che emette segnali nella gamma dei 2,4 GHz.	Spostare quest'unità.
	Il componente collegato è spento.	Accendere il componente collegato.
<b>Nessun suono viene prodotto o la riproduzione si interrompe.</b>	L'altro componente non è collegato a quest'unità via Bluetooth.	Se la comunicazione Bluetooth è caduta, ricollegarsi.
	Distanza scorretta.	Portare quest'unità entro 10 m dall'altro componente.
	C'è un dispositivo vicino (forno a microonde, LAN wireless, ecc.) che emette segnali nella gamma dei 2,4 GHz.	Spostare quest'unità.
	La funzione Bluetooth dell'altro componente non è attivata.	Controllare che la funzione Bluetooth dell'altro componente sia impostata correttamente.
	Quest'unità non è presente nella lista di dispositivi Bluetooth dell'altro componente.	Eseguire di nuovo il pairing.
	L'altro componente non è impostato per la trasmissione di segnali Bluetooth a quest'unità.	Controllare che la funzione Bluetooth dell'altro componente sia impostata correttamente.
	L'impostazione di pairing dell'altro componente non è stata fatta per quest'unità.	Regolare l'impostazione del pairing dell'altro componente per quest'unità.
	Il volume dell'altro componente è sul minimo.	Aumentare il volume.

## Dati tecnici

Tipo di diffusore..... Stereo a cassa singola, Twin SR-Bass Tipo schermato magneticamente	Alimentazione Adattatore di corrente alternata ..... C.a. da 100 a 240 V, 50/60 Hz
Elemento conduttore ..... Full-range con cono in titanio da 45 mm x 2	Batterie ..... AA, LR6, UM-3 x 4 Durata delle batterie: 4 ore se alcaline (Uscita: 10 mW + 10 mW)
Ingressi (Analogico) ..... ini presa da 3,5 mm 200 mV/20 kΩ	Consumo di corrente ..... 8 W
Bluetooth ..... Ver. 2.0+EDR, supporta il profilo A2DP	Ambiente di funzionamento Temperatura ..... da +5 a +35 °C
Potenza dinamica ..... 6 W x 2 (1 kHz, 6 Ω)	Dimensioni (L x A x P) ..... 84 x 170 x 84 mm
Potenza istantanea massima* ..... 10 W x 2 (1 kHz, 6 Ω, 10% di DAC)	Peso..... 600 g
Sensibilità d'ingresso ..... 200 mV	* Significa la potenza che può venire emessa continuamente per 100 ms.
Segnale massimo in ingresso Ingresso analogico ..... 2,0 V	Tutte le caratteristiche tecniche sono soggette a modifiche senza preavviso.
Risposta di frequenza ..... da 90 Hz a 20 kHz	

### Bluetooth®

- Bluetooth è una tecnologia per la comunicazione wireless fra dispositivi a distanze di entro circa 10 m usando la banda di frequenza a 2,4 GHz, utilizzabile senza licenze.
- Bluetooth è un marchio di fabbrica depositato della Bluetooth SIG usato sulla base di accordi di licenza da Yamaha.

### ■ Comunicazione Bluetooth

- La banda dei 2,4 GHz usata da dispositivi Bluetooth è una banda radio condivisa da molti tipi di apparecchio. I dispositivi Bluetooth utilizzano una tecnologia che minimizza l'influenza di altri componenti che utilizzano la stessa banda radio, alcune influenze possono ridurre la velocità o la distanza possibile della comunicazione, ed in certi casi interromperla.
- La velocità di trasferimento del segnale e la distanza dalla quale la comunicazione è possibile differisce a seconda della distanza dei dispositivi comunicanti, dalla presenza di ostacoli, dalle condizioni di trasmissione delle onde radio e dal tipo di dispositivo usato.
- Yamaha non garantisce tutti i collegamenti wireless tra questa unità e dispositivi compatibili con la funzione Bluetooth.

### Garanzia limitata per l'Area Economica Europea (AEE) e la Svizzera

Vi ringraziamo per aver scelto un prodotto Yamaha. Nel caso raro in cui il vostro prodotto abbia bisogno di riparazioni in garanzia, entrare in contatto con il negozio in cui era stato acquistato. Se si avessero difficoltà, entrare in contatto con il rappresentante di Yamaha per il proprio paese. Sono disponibili maggiori dettagli nel nostro sito (<http://www.yamaha-hifi.com/> o <http://www.yamaha-uk.com/>, per i residenti nel Regno Unito).

Il prodotto viene garantito esente da difetti di fabbricazione e di materiali per un periodo di due anni a partire dalla data di acquisto originale. Yamaha si impegna, entro i limiti delle condizioni illustrate di seguito, a riparare (o sostituire, a discrezione esclusiva di Yamaha) il prodotto difettoso o qualsiasi sua parte senza alcun addebito per le parti o per il lavoro. Yamaha si riserva il diritto di sostituire un prodotto con uno di tipo, valore e/o condizione simile nel caso un modello particolare non sia più in produzione o sia considerato troppo costoso da riparare.

#### Condizioni della garanzia

1. La fattura o ricevuta originale di pagamento (recante la data di acquisto, il numero di codice del prodotto e il nome del negozio di acquisto) DEVE accompagnare sempre il prodotto difettoso unita ad una dichiarazione descrittiva del problema accurato. In mancanza di prova esauriva dell'avvenuto acquisto, Yamaha si riserva in diritto di rifiutare di fornire riparazioni gratuite ed il prodotto può venire restituito a spese dell'utente.
2. Il prodotto DEVE esser stato acquistato da un rivenditore Yamaha AUTORIZZATO all'interno dell'Area Economica Europea (EEA) o in Svizzera.
3. Il prodotto non deve esser modificato o alterato se non dietro autorizzazione scritta di Yamaha.
4. Quanto segue viene escluso dalla presente garanzia:
  - a. Manutenzione periodica e riparazioni o sostituzione di pezzi dovute a normale invecchiamento.
  - b. Danni risultano di:
    - (1) Riparazioni eseguite dal cliente stesso o da terze parti non autorizzate.
    - (2) Imballaggio o trattamento inadeguato nel corso della spedizione del prodotto da parte del cliente. Tener presente che, al momento dell'invio del prodotto per riparazioni, è responsabilità del cliente l'assicurarsi che questo sia imballato adeguatamente.
    - (3) L'uso scorretto, compresi ma senza limitazioni (a) il mancato uso del prodotto per il suo scopo previsto o in accordo con le istruzioni di Yamaha per l'uso corretto, la manutenzione e la conservazione e (b) l'installazione o uso del prodotto in modo non conforme agli standard tecnici e di sicurezza in vigore nel paese di uso.
    - (4) Gli incidenti, i fulmini, l'acqua, gli incendi, la ventilazione scorretta, la perdita di acido dalle batterie o qualsiasi altra causa non sotto il controllo di Yamaha.
    - (5) Difetti di un sistema nel quale il prodotto è stato incorporato e/o incompatibilità con prodotti di terze parti.
    - (6) L'uso di un prodotto importato nella EEA e/o in Svizzera, non prodotto da Yamaha, nel caso il prodotto non sia conforme agli standard tecnici o di sicurezza del paese di uso e/o alle caratteristiche tecniche standard dei prodotti Yamaha da vendersi nell'AEE e/o in Svizzera.
    - (7) Prodotti non legati al campo AV (Audio Video).  
(I prodotti soggetti allo "Yamaha AV Guarantee Statement" sono definiti nel sito <http://www.yamaha-hifi.com/>, o <http://www.yamaha-uk.com/> nel caso dei residenti nel Regno Unito.)
5. Dove i termini della garanzia differiscono fra il paese di acquisto e il paese di uso del prodotto, vale la garanzia del paese di uso.
6. Yamaha non può venire considerata responsabile di perdite o danni, diretti, indiretti, consequenziali o di altro tipo, se non in termini di riparazione o sostituzione del prodotto.
7. Fare una copia di riserva di impostazioni o dati personalizzati, dato che Yamaha non può venire considerata responsabile di qualsiasi alterazione o perdita di tali impostazioni o dati.
8. Questa garanzia non influenza i diritti statuari dell'utente stabiliti dalle leggi applicabili in vigore o i diritti sul negoziante derivanti dal contratto di vendita/acquisto.

# AVISO: Lea esto antes de utilizar su unidad.

Para garantizar el mejor rendimiento posible de su unidad, lea cuidadosamente este manual. Y guárdelo en un lugar seguro para poder consultarlo en el futuro.

- 1 Instale esta unidad en un lugar bien ventilado, fresco, seco y limpio, que esté alejado de la luz solar directa, fuentes de calor, vibraciones, polvo, humedad y/o frío. (No utilice ni guarde esta unidad en un automóvil, etc.)
- 2 Coloque esta unidad alejada de otros aparatos eléctricos, motores o transformadores para evitar que se produzcan ruidos de zumbido.
- 3 No exponga esta unidad a cambios de temperatura repentinos, del frío al calor, y no la coloque tampoco en un lugar de mucha humedad (una habitación con un humidificador, por ejemplo) para impedir que se forme condensación en su interior, lo que podría causar una descarga eléctrica, un incendio, averías en esta unidad y/o lesiones a personas.
- 4 Evite instalar esta unidad donde puedan caerle encima objetos extraños y/o donde pueda estar expuesta al goteo o salpicadura de líquidos. Encima de esta unidad **NO** ponga:
  - Otros componentes, porque podrían causar daños y/o descoloración en la superficie de esta unidad.
  - Objetos encendidos (velas, por ejemplo), ya que podrían causar un incendio, averiar esta unidad y/o causar lesiones a personas.
  - Recipientes con líquido en su interior, porque podrían caerse y el líquido derramado podría causar una descarga eléctrica y/o averías en la unidad.
- 5 No cubra esta unidad con un periódico, mantel, cortina, etc. para no obstruir así la disipación térmica. Si la temperatura aumenta dentro de la unidad se puede producir un incendio, averías en la unidad y lesiones a personas.
- 6 No enchufe esta unidad en una toma de CA hasta después de haber completado todas las demás conexiones.
- 7 No utilice esta unidad al revés. Podría recalentarse y causar daños.
- 8 No utilice a la fuerza los conmutadores, controles y/o cables.
- 9 Cuando desconecte el adaptador de CA de la toma de corriente, sujete el adaptador de CA y tire de él, no tire del propio cable.
- 10 No limpie esta unidad con disolventes químicos porque éstos podrían dañar su acabado. Utilice un paño limpio y seco para limpiarla.
- 11 Sólo se puede utilizar la tensión especificada en esta unidad. El uso de esta unidad con una tensión más alta que la especificada es peligroso y puede causar un incendio, daños en la unidad y/o lesiones a personas. Yamaha no se hará responsable de ningún daño debido al uso de esta unidad con una tensión que no sea la especificada.
- 12 No intente modificar o arreglar esta unidad. Póngase en contacto con el personal de servicio Yamaha cualificado cuando tenga necesidad de hacer cualquier reparación. La caja de la unidad nunca deberá abrirse por ninguna razón.
- 13 Cuando no piense utilizar esta unidad durante un largo periodo de tiempo (cuando se vaya de vacaciones, por ejemplo), desconecte el adaptador de CA de la toma de corriente.
- 14 Asegúrese de leer la sección "Solución de problemas" en cuanto a los errores de utilización más corrientes antes de llegar a la conclusión de que esta unidad está averiada.
- 15 Antes de trasladar esta unidad, pulse  $\phi$  para apagarla y luego desconecte el adaptador de CA de la toma de corriente.
- 16 Asegúrese de utilizar el adaptador de CA suministrado con esta unidad. La utilización de un adaptador de CA diferente del suministrado puede causar un incendio o daños en esta unidad.
- 17 Instale esta unidad cerca de la toma de corriente, donde se pueda llegar fácilmente al adaptador de CA.
- 18 Desenchufe este producto de la toma de corriente para que disponga de mayor protección durante una tormenta eléctrica o cuando se deja sin atender o utilizar durante largos periodos de tiempo. Esto impedirá que el producto se dañe debido a los rayos y a los aumentos de tensión en la línea de suministro eléctrico.
- 19 Las baterías y las pilas no deberán exponerse a un calor excesivo como, por ejemplo, el que producen los rayos del sol, el fuego y similares.

Esta unidad dispone de un diseño a prueba de interferencias magnéticas, aunque existe la posibilidad de que, en el caso de colocarlo demasiado cerca de un aparato de televisor, el color de la imagen pueda verse afectado. En este caso, aleje el sistema del televisor.

No utilice esta unidad a menos de 22 cm de personas que tengan implantado un marcapasos o un desfibrilador.

## ADVERTENCIA

**PARA REDUCIR EL RIESGO DE INCENDIO O DESCARGA ELÉCTRICA, NO EXPONGA ESTA UNIDAD A LA LLUVIA NI A LA HUMEDAD.**

Esta unidad no se desconecta de la fuente de alimentación de CA si está conectada a una toma de corriente, aunque la propia unidad esté apagada. En este estado, esta unidad ha sido diseñada para que consuma una cantidad de corriente muy pequeña.

Este símbolo sigue la normativa de la UE 2002/96/EC.



Este símbolo significa que el equipamiento eléctrico y electrónico y sus residuos no deben desecharse junto con la basura doméstica.

Le rogamos que haga caso de la normativa local y no desheche los productos viejos junto con la basura doméstica.

El usuario no deberá invertir la ingeniería, alterar, traducir, ni descompilar el software utilizado en esta unidad, ya sea en parte o totalmente. Para los usuarios corporativos, los empleados de la propia corporación, así como sus socios comerciales deberán observar las prohibiciones contractuales estipuladas dentro de esta cláusula. Si las estipulaciones de esta cláusula y de este contrato no pueden ser observadas, el usuario deberá suspender inmediatamente la utilización del software.

Nosotros, el fabricante Yamaha, declaramos por el presente testamento que el NX-B02 cumple con los requisitos esenciales y otras provisiones pertinentes de la Directiva 1999/5/EC.



# Introducción

## ◆ 2 fuentes de alimentación

Según las circunstancias de utilización puede elegir una de dos fuentes de alimentación: Adaptador de CA o pilas.

## ◆ La tecnología inalámbrica Bluetooth

Con la tecnología Bluetooth puede disfrutar de un sonido claro sin conectar cables.

## ◆ Sonido estéreo real

El amplificador de alta calidad, el diafragma de titanio y la tecnología SR-Bass única de Yamaha logran un sonido de alta calidad.

## ◆ Circuito PowerStorage™ (Alta potencia de 20 W)

La tecnología original de Yamaha proporciona una impresionante potencia de salida de 20 W (Potencia instantánea máxima).

## ■ Accesorio suministrado

Adaptador de CA (12 V CC, 1 A) .....	1
La forma del adaptador puede cambiar dependiendo del país donde usted lo compra.	
Modelo de China .....	MU12-2120100-A2
Modelo de Europa .....	MU12-2120100-C5
Modelo de Corea .....	MU12-2120100-C4
Modelo del Reino Unido .....	MU12-2120100-B2

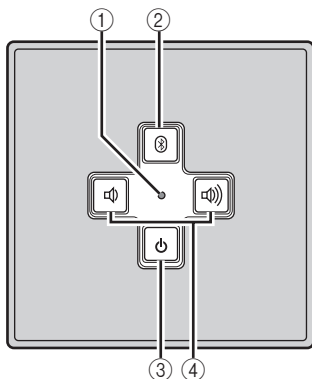
**SR-Bass**

“Swing Radiator Bass™” es una marca de fábrica de YAMAHA CORPORATION.

**PowerStorage™**

“PowerStorage™” es una marca de fábrica de YAMAHA CORPORATION.

# Controles y funciones



## ① Indicador de estado (LED)

Indica el estado actual de esta unidad. Para conocer detalles, consulte “Acerca del indicador de estado (LED)” en la página 4.

## ② ⑧ (Botón de Bluetooth/silenciamiento)

Pone esta unidad en el modo de vinculación para usar la conexión Bluetooth o para silenciar el sonido. Para cancelar el silenciamiento, pulse de nuevo ⑧ o ⑧/⑧. El indicador de estado parpadea durante el silenciamiento.

## ③ ① (Botón de la alimentación)

Enciende esta unidad. Pulse de nuevo ① para apagar esta unidad. Cuando esta unidad se enciende, el indicador de alimentación se enciende.

## ④ ⑧/⑧ (Botones de volumen)

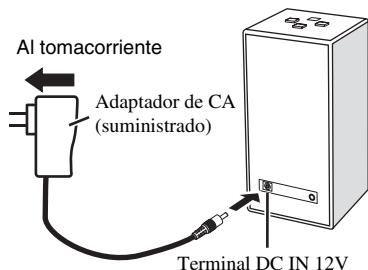
Ajustan el nivel del sonido. Pulse ⑧ para subir el nivel del sonido y pulse ⑧ para bajarlo.

# Conexiones

Elija una de las dos formas de suministrar alimentación y las entradas de audio según las circunstancias de utilización.

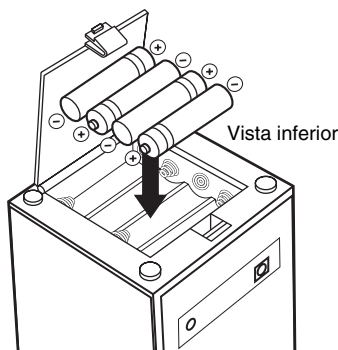
## Fuentes de alimentación

### 1 Cuando se usa un adaptador de CA



- 1 Conecte el adaptador de CA suministrado al terminal DC IN 12V de la parte posterior de esta unidad.
- 2 Enchufe el adaptador de CA a la toma de CA.

### 2 Cuando utilice pilas



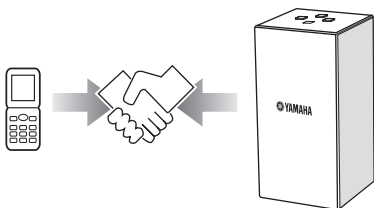
- 1 Abra la tapa del compartimento de las pilas situada en la parte inferior de esta unidad.
- 2 Inserte en el compartimento de las pilas las 4 pilas de venta en el comercio (AA, LR6, UM-3) según sus polaridades (+ y -).
- 3 Cierre la tapa del compartimento de las pilas.

#### Notas

- Cambie todas las pilas cuando el indicador de estado (LED) no se encienda a pesar de pulsar  $\Phi$ .
- No utilice pilas viejas y nuevas juntas.
- No utilice juntas pilas de tipos diferentes (alcalinas y de manganeso, por ejemplo). Lea atentamente la información de las pilas porque algunas de ellas pueden ser de tipo diferente aunque su forma y color sea el mismo.
- Cuando no piense utilizar esta unidad durante mucho tiempo (más de 1 mes), retire las pilas de esta unidad.
- Si las pilas tienen fugas, tírelas inmediatamente. Evite tocar el material que sale de las pilas o dejar que éste entre en contacto con ropas, etc. Limpie a fondo el compartimento de las pilas antes de instalar otras nuevas.
- No tire las pilas con la basura general del hogar, elimínelas correctamente según las normas de su localidad.

## Entradas de audio

### 1 Cuando se usa la conexión Bluetooth



La vinculación debe hacerse cuando se usan conexiones Bluetooth por primera vez o si los datos de vinculación han sido eliminados. “Vinculación” se refiere a la operación de registrar teléfonos móviles, etc., para las comunicaciones Bluetooth (a partir de ahora “otros componentes”). Use el procedimiento descrito a continuación para vincular.



Para garantizar la seguridad se ha establecido un límite de 8 minutos para la operación de vinculación. Le recomendamos leer y entender perfectamente todas las instrucciones antes de empezar.

**1 Encienda el otro componente con el que quiera hacer la vinculación.**

**2 Pulse  $\text{⏻}$  para encender esta unidad.**

**3 Mantenga pulsado  $\text{Ⓜ}$  durante más de 4 segundos.**

Esta unidad se pone en el modo de vinculación (el indicador de estado parpadea en azul).

**4-a [Para componentes con teclas de entrada (teléfonos móviles, ordenadores, etc.)] Utilice el otro componente para detectar componentes Bluetooth.**

Para conocer detalles, consulte el manual de instrucciones del otro componente.

**4-b [Para componentes sin teclas de entrada (adaptadores Bluetooth, etc.)]**

**Ponga el otro componente en el modo de vinculación y luego vaya al paso 7.**

Para conocer detalles, consulte el manual de instrucciones del otro componente.

**5 Seleccione “NX-B02 YAMAHA” en la lista del otro componente.**

**6 Se le pide que introduzca una clave, introduzca el número “0000”.**

**7 Compruebe que la vinculación esté terminada.**

El indicador de estado parpadea rápidamente indicando que el proceso de vinculación en esta unidad ha terminado. Verifique que el proceso de vinculación en el otro componente también haya terminado. Si el indicador de estado no parpadea rápidamente o falla el proceso de vinculación en el otro componente, empiece de nuevo desde el paso 3.

### Notas

- Las comunicaciones con otros componentes no son posibles estando en el modo de vinculación. Si el modo de vinculación se establece por error, pulse brevemente  $\text{Ⓜ}$  para cancelarlo.
- Esta unidad puede vincularse con un máximo de ocho componentes. Cuando la vinculación se realiza bien con un noveno componente y se registran los datos de vinculación, los datos de vinculación del componente menos usado recientemente se borran.
- Si la alimentación de esta unidad se interrumpe durante la operación de vinculación, los datos de vinculación pueden dañarse. En este caso, siga el procedimiento descrito en “Borrado de los datos de vinculación” en la página 4 y haga de nuevo la vinculación.

### 2 Cuando utilice la entrada analógica



**Conecte un jack de salida de audio de su reproductor de audio portátil y el jack PORTABLE IN de esta unidad utilizando un cable con miniclavija estéreo de 3,5 mm de venta en el comercio.**

### Nota

Antes de conectar, asegúrese de que esta unidad esté apagada.



## Utilización de esta unidad

### 1 Pulse para encender esta unidad.

El indicador de estado (LED) se enciende.


### 2 Inicie la reproducción en su componente Bluetooth o reproductor de audio portátil.

### 3 Ajuste el nivel del sonido con /

#### Nota

Durante la reproducción, la conexión Bluetooth tiene prioridad sobre la conexión analógica.



- Esta unidad es un altavoz estéreo. Para disfrutar de un buen balance del sonido entre los canales derecho e izquierdo, ponga el logotipo de Yamaha hacia la posición de escucha.
- Cuando no utilice esta unidad, pulse  para apagarla y ahorrar energía.



### ■ Después de utilizar esta unidad

#### 1 Detenga la reproducción en su componente Bluetooth o reproductor de audio portátil.

#### 2 Pulse para apagar esta unidad.

El indicador de estado (LED) se apaga.

### ■ Acerca del indicador de estado (LED)

LED de estado	El estado actual de esta unidad
Se enciende en verde	Esta unidad se enciende y reproduce el sonido de su reproductor de audio portátil.
Se enciende en azul	Esta unidad se enciende y reproduce el sonido de su componente Bluetooth.
Parpadeando	Esta unidad está silenciada o en el modo de vinculación.
Parpadea una vez	El volumen de esta unidad está al máximo o al mínimo.
Apagado	La unidad está apagada, o la alimentación está desconectada.

## Borrado de los datos de vinculación

### 1 Cerciórese de que esta unidad esté apagada.

### 2 Manteniendo presionados /

El indicador de estado (LED) parpadea en azul.

### 3 Pulse .

Esta unidad borra los datos de vinculación.

Cuando termina el borrado, el indicador de estado (LED) se enciende en verde.

## Solución de problemas

Si el problema que usted tiene no se menciona en la lista de abajo, apague esta unidad, desconecte la alimentación y póngase en contacto con el centro de servicio o concesionario Yamaha autorizado más cercano.

### Generalidades

Problema	Causa	Remedio
<b>No hay sonido.</b>	La conexión entre esta unidad y el otro componente no es correcta.	Conecte correctamente el cable.
	El volumen está al mínimo.	Aumente el nivel del sonido.
	Esta unidad está silenciada.	Cancele el silenciamiento.
	El adaptador de CA no está bien conectado.	Conecte bien el adaptador de CA.
	Las pilas están casi agotadas.	Cambie todas las pilas.
<b>El nivel del sonido no es estable.</b>	El control de límite se ha activado debido a una entrada excesiva.	Disminuya el nivel del sonido.

### Cuando se usa la conexión Bluetooth

Problema	Causa	Remedio
<b>Esta unidad puede vincularse con otro componente.</b>	El otro componente no es compatible con A2DP.	Haga las operaciones de vinculación con un componente compatible con A2DP.
	Un adaptador Bluetooth, etc. que usted quiere vincular a esta unidad tiene una contraseña que no es "0000".	Use un adaptador Bluetooth, etc. cuya contraseña sea "0000".
	Distancia equivocada.	Ponga esta unidad dentro de una distancia de 10 m del otro componente.
	Hay próximo un aparato (horno microondas, LAN inalámbrica, etc.) que da salida a señales de la banda de frecuencias de 2,4 GHz.	Reposicione esta unidad.
	El componente conectado está apagado.	Encienda el componente conectado.
<b>Durante la reproducción no se produce sonido o éste se interrumpe.</b>	El otro componente no está conectado a esta unidad mediante Bluetooth.	Vuelva a conectar si se desconectan las comunicaciones Bluetooth.
	Distancia equivocada.	Ponga esta unidad dentro de una distancia de 10 m del otro componente.
	Hay próximo un aparato (horno microondas, LAN inalámbrica, etc.) que da salida a señales de la banda de frecuencias de 2,4 GHz.	Reposicione esta unidad.
	La función Bluetooth del otro componente está desactivada.	Verifique que la función Bluetooth del otro componente esté bien establecida.
	Esta unidad no está registrada en la lista de dispositivos Bluetooth del otro componente.	Repita las operaciones de vinculación.
	El otro componente no está configurado para enviar audio Bluetooth a esta unidad.	Verifique que la función Bluetooth del otro componente esté bien establecida.
	La configuración de vinculación del otro componente no está establecida para esta unidad.	Establezca la configuración de vinculación del otro componente para esta unidad.
	El volumen del otro componente está al mínimo.	Aumente el nivel del sonido.

# Especificaciones

Tipo de altavoz.....	1 caja estéreo, Twin SR-Bass Tipo de blindaje magnético
Altavoz de graves .....	2 altavoces de graves de gama completa con cono de titanio de 45 mm
Entrada (Analógica) .....	Minijack estéreo de 3,5 mm 200 mV/20 kΩ
Bluetooth .....	Ver. 2.0+EDR, compatible con A2DP
Potencia dinámica .....	6 W x 2 (1 kHz, 6 Ω)
Potencia instantánea máxima*	10 W x 2 (1 kHz, 6 Ω, THD de 10%)
Sensibilidad de entrada .....	200 mV
Señal de entrada máxima	
Entrada analógica .....	2,0 V
Repuesta de frecuencia .....	90 Hz a 20 kHz

Alimentación	
Adaptador de CA .....	100 a 240 V CA, 50/60 Hz
Pilas .....	AA, LR6, UM-3 x 4
Duración de las pilas:	4 horas con pilas alcalinas (Salida: 10 mW + 10 mW)
Consumo eléctrico .....	8 W
Entorno de funcionamiento	
Temperatura .....	+5 a +35 °C
Dimensiones (An x Al x Prof) .....	84 x 170 x 84 mm
Peso.....	600 g

\* Consulte cuál es la potencia que puede salir continuamente durante 100 ms.

Tenga en cuenta que todas las especificaciones están sujetas a cambios sin previo aviso.

## Bluetooth®

- Bluetooth es una tecnología para la comunicación inalámbrica entre dispositivos situados en un área de unos 10 metros que emplean la banda de frecuencia de 2,4 GHz, una banda que puede usarse sin licencia.
- Bluetooth es una marca registrada de Bluetooth SIG, y Yamaha la usa según un convenio de licencia.

## ■ Manejo de las comunicaciones Bluetooth

- La banda de 2,4 GHz usada por aparatos compatibles con Bluetooth es una banda de radio compartida por muchos equipos diferentes. Aunque los aparatos compatibles con Bluetooth usan una tecnología que minimiza la influencia de otros componentes que usan la misma banda de radio, tal influencia puede reducir la velocidad o la distancia de comunicación, y en algunos casos pueden hasta interrumpir las comunicaciones.
- La velocidad de transferencia de las señales y la distancia a la que se puede hacer la comunicación cambia según la distancia entre los aparatos de comunicación, la presencia de obstáculos, las condiciones de las ondas de radio y el tipo del equipo.
- Yamaha no garantiza todas las conexiones inalámbricas entre esta unidad y dispositivos compatibles con la función Bluetooth.

## Garantía limitada para el Área Económica Europea (AEE) y Suiza

Gracias por haber elegido un producto Yamaha. En el caso poco probable de que su producto Yamaha necesite el servicio que concede la garantía, póngase en contacto por favor con el concesionario a quien adquirió el producto. Si usted tiene alguna dificultad, póngase en contacto por favor con la oficina representativa de Yamaha en su país. Podrá encontrar todos los detalles necesarios en nuestros sitios Web (<http://www.yamaha-hifi.com/> o <http://www.yamaha-uk.com/> para los residentes del Reino Unido).

El producto tiene una garantía de dos años, a partir de la fecha de la compra original, que cubre las reparaciones de las averías que pueda tener debido a defectos en la mano de obra o en los materiales empleados en su fabricación. Yamaha se compromete, sujeto a las condiciones listadas más abajo, a reparar el producto o cualquier pieza (o piezas) que tenga defectos, o a sustituirlo, a discreción de Yamaha, sin cobrar ningún honorario por las piezas o la mano de obra. Yamaha se reserva el derecho de reemplazar un producto por otro de clase y/o precio y condiciones similares, en el caso de que éste no se fabrique más o se considere que las reparaciones resultan poco económicas.

### Condiciones de la garantía

1. El producto defectuoso DEBERÁ ir acompañado de la factura o recibo de venta original (que muestre la fecha de la compra, el código del producto y el nombre del concesionario), junto con una explicación que describa detalladamente la avería. Si falta esta prueba clara de la compra, Yamaha se reserva el derecho a no proveer el servicio de reparaciones gratis, y el producto podrá ser devuelto al cliente corriendo éste con todos los gastos relacionados con el envío.
2. El producto DEBERÁ haber sido adquirido en el establecimiento de un concesionario Yamaha AUTORIZADO dentro del Área Económica Europea (AEE) o Suiza.
3. El producto no deberá haber sido sometido a ninguna modificación ni alteración, a menos que ésta haya sido autorizada por escrito por Yamaha.
4. De esta garantía se excluye lo siguiente:
  - a. El mantenimiento periódico y la reparación o sustitución de piezas debidos al desgaste natural.
  - b. Los daños debidos a:
    - (1) Reparaciones realizadas por el propio cliente o por un tercero que no cuente con ninguna autorización.
    - (2) Embalaje inadecuado o maltrato, cuando el producto está siendo transportado desde el lugar de residencia del cliente. Tenga en cuenta que el cliente es el responsable de embalar el producto adecuadamente cuando éste es devuelto para ser reparado.
    - (3) Mal uso, incluyendo, pero sin limitarse a: (a) no usar el producto de forma normal o no seguir las instrucciones de uso, mantenimiento y almacenamiento apropiadas indicadas por Yamaha, y (b) instalación o uso del producto de forma inconsistente con las normas técnicas o de seguridad vigentes en el país donde éste se utiliza.
    - (4) Accidentes, rayos, agua, fuego, ventilación inadecuada, fuga de pilas o cualquier otra causa fuera del control de Yamaha.
    - (5) Defectos del sistema en el que se incorpora este producto e/o incompatibilidad con productos de terceros.
    - (6) Uso de un producto importado en la EEA y/o Suiza, no por Yamaha, donde ese producto no cumple con las normas técnicas o de seguridad del país donde se usa y/o con la especificación estándar de un producto vendido por Yamaha en la EEA y/o en Suiza.
    - (7) Productos que no están relacionados con AV (audiovisual).  
(Los productos sujetos a la "Declaración de Garantía de AV de Yamaha" se definen en nuestro sitio Web <http://www.yamaha-hifi.com/> o <http://www.yamaha-uk.com/> para los residentes del Reino Unido.)
5. Cuando las garantías del país donde se compra el producto y del país donde éste se usa son diferentes se aplicará la garantía del país donde se usa el producto.
6. Yamaha no se hará responsable de ninguna pérdida o daño directo, emergente o de cualquier otro tipo; sólo se hará responsable de la reparación o sustitución del producto.
7. Haga una copia de seguridad de cualquier configuración o datos personalizados, ya que Yamaha no se hará responsable de ninguna alteración o pérdida que tal configuración o datos puedan sufrir.
8. Esta garantía no afecta a los derechos legales del consumidor bajo las leyes nacionales aplicables vigentes, ni a los derechos del consumidor contra el concesionario surgidos de su contrato de venta/compra.

# LET OP: Lees dit voor u uw apparatuur in gebruik neemt.

Lees deze handleiding zorgvuldig door zodat u verzekerd kunt zijn van de beste prestaties. Bewaar deze handleiding zodat u er later nog iets in op zult kunnen zoeken.

- 1 Installeer dit toestel op een goed geventileerde, koele, droge en schone plek - uit de buurt van direct zonlicht, warmtebronnen, trillingen, stof, vocht en/of kou. (Gebruik of bewaar dit toestel in geen geval in een auto enz.)
- 2 Plaats dit toestel niet in de buurt van andere elektrische apparatuur, motoren of transformatoren om gebrom te voorkomen.
- 3 Stel dit toestel niet bloot aan plotselinge temperatuurwisselingen van koud naar warm en plaats het toestel niet in een zeer vochtige omgeving (bijv. een ruimte met een luchtbevochtiger) om te voorkomen dat er zich condens vormt in het toestel, want dit kan leiden tot elektrische schokken, brand, schade aan dit toestel en/of persoonlijk letsel.
- 4 Installeer dit toestel niet op een plek waar er andere dingen op kunnen vallen en/of waar dit toestel blootgesteld kan worden aan druipend of spattende vloeistoffen. Plaats de volgende dingen NIET bovenop dit toestel:
  - Andere componenten, want deze kunnen de afwerking van dit toestel beschadigen en/of doen verkleuren.
  - Brandende voorwerpen (bijv. kaarsen), want deze kunnen brand, schade aan dit toestel en/of persoonlijk letsel veroorzaken.
  - Voorwerpen met vloeistoffen erin, want als deze vallen kan de vloeistof leiden tot elektrische schokken voor de gebruiker en/of schade aan dit toestel.
- 5 Dek dit toestel niet af met bijvoorbeeld een krant, tafellaken, gordijn enz. want hierdoor kan de koeling gehinderd worden. Als de temperatuur binnenin dit toestel te hoog oploopt kan dit brand, schade aan dit toestel en/of persoonlijk letsel veroorzaken.
- 6 Steek de stekker van dit toestel pas in het stopcontact wanneer alle aansluitingen gemaakt zijn.
- 7 Gebruik dit toestel niet ondersteboven. Dit kan leiden tot oververhitting en mogelijk tot schade.
- 8 Zet niet teveel kracht op de schakelaars, knoppen en/of bedrading.
- 9 Wanneer u de netstroomadapter uit het stopcontact haalt, moet u de netstroomadapter zelf vastpakken; trek niet aan het snoer.
- 10 Maak dit toestel niet schoon met chemische oplosmiddelen; hierdoor kan de afwerking aangetast raken. Gebruik een zachte, droge doek.
- 11 Gebruik dit toestel uitsluitend op het voltage zoals gespecificeerd op het toestel zelf. Het is zeer gevaarlijk om dit toestel op een hoger dan het opgegeven voltage te gebruiken; dit kan leiden tot brand, schade aan het toestel zelf en/of persoonlijk letsel. Yamaha aanvaardt geen aansprakelijkheid voor enige schade als resultaat van gebruik van dit toestel op een ander dan het opgegeven voltage.
- 12 Probeer dit product niet te modificeren of te repareren. Neem contact op met bevoegd Yamaha servicepersoneel wanneer het toestel nagezien of gerepareerd moet worden. De behuizing mag in geen geval geopend worden.
- 13 Wanneer u dit toestel langere tijd niet zult gebruiken (bijv. wanneer u op vakantie gaat), dient u de netstroomadapter uit het stopcontact te halen.
- 14 Lees de paragraaf "Oplossen van problemen" over vaak voorkomende problemen en hoe u deze op kunt lossen voor u concludeert dat het toestel kapot is.
- 15 Voor u dit toestel gaat verplaatsen, moet u op  $\phi$  drukken om het toestel uit te zetten en de netstroomadapter uit het stopcontact halen.
- 16 U moet de met dit toestel meegeleverde netstroomadapter gebruiken. Gebruik van een andere netstroomadapter dan de meegeleverde kan leiden tot brand of schade aan dit toestel.
- 17 Installeer dit toestel in de buurt van het stopcontact op zo'n manier dat u gemakkelijk bij de netstroomadapter kunt.
- 18 Om dit product extra te beschermen tijdens onweer, of wanneer u het langere tijd niet zult gebruiken, dient u de stekker of netstroomadapter uit het stopcontact te halen. Dit voorkomt beschadiging van het product bij blikseminslag en stroompieken.
- 19 De batterijen mogen niet worden blootgesteld aan hitte, zoals door direct zonlicht, vuur of iets dergelijks.

Dit apparaat heeft een magnetisch afgeschermd constructie, maar toch bestaat de kans dat wanneer dit apparaat te dicht bij een tv-toestel geplaatst wordt, de kwaliteit van de kleuren nadelig beïnvloed zal worden. In dat geval zet u dit apparaat op wat grotere afstand van het tv-toestel.

Gebruik dit toestel niet op een afstand van minder dan 22 cm van personen met een pacemaker of defibrillator voor het hart.

## WAARSCHUWING

OM DE RISICO'S VOOR BRAND OF ELEKTRISCHE SCHOKKEN TE VERMINDEREN, MAG U DIT TOESTEL IN GEEN GEVAL BLOOTSTELLEN AAN VOCHT OF REGEN.

De stroomvoorziening van dit toestel is niet afgesloten zolang de stekker in het stopcontact zit, ook al is het toestel zelf uitgeschakeld. In deze staat is dit toestel ontworpen om slechts een zeer kleine hoeveelheid stroom te gebruiken.

Dit symbool stemt overeen met de EU-richtlijn 2002/96/EC.



Dit symbool betekent dat elektrische en elektronische apparaten aan het einde van hun levensduur moeten worden aangeboden voor gescheiden afvalverzameling.

Leef de plaatselijke voorschriften na en bied uw oude producten niet aan bij het gewone huisvuil.

De gebruiker mag in geen geval de in dit toestel gebruikte software reverse engineeren, decompileren, wijzigen, vertalen of disassembleren, noch gedeeltelijk, noch in zijn geheel. Wat rechtspersonen als gebruikers aangaat, geldt dat zowel werknemers of medewerkers als zakelijke relaties van de rechtspersoon zich dienen te houden aan de contractuele verplichtingen zoals vervat in deze bepaling. Indien de verplichtingen voortvloeiende uit deze bepaling in het bijzonder of het contract in zijn algemeenheid niet in acht worden genomen, dient de gebruiker het gebruik van de software onmiddellijk te staken.

Yamaha verklaart hierbij dat de NX-B02 voldoet aan de essentiële vereisten en andere relevante voorzieningen van Richtlijn 1999/5/EC.



# Inleiding

## ◆ Keuze uit 2 manieren van stroomvoorziening

Afhankelijk van de omstandigheden heeft u de keuze uit twee manieren om het toestel van stroom te voorzien: De netstroomadapter of batterijen.

## ◆ Bluetooth draadloze technologie

Met Bluetooth technologie kunt u genieten van een glasheldere weergave zonder lastige draden.

## ◆ Echte stereoweergave

De hoge kwaliteit van de versterker, het titanium membraan en Yamaha's unieke SR-Bass technologie zorgen voor een geluidswaergave van zeer hoge kwaliteit.

## ◆ PowerStorage™ schakeling (Hoog vermogen van 20 W)

Yamaha's originele vermogenstechnologie maakt een indrukwekkend uitgangsvermogen van 20 W mogelijk (max. piekvermogen).

## ■ Meegeleverde accessoires

Netstroomadapter (12 V gelijkstroom, 1 A) .....	1
De vorm van de adapter kan mede afhangen van het gebied waar u deze gekocht heeft.	
Modellen voor China .....	MU12-2120100-A2
Modellen voor Europa .....	MU12-2120100-C5
Modellen voor Korea .....	MU12-2120100-C4
Modellen voor het V.K. ....	MU12-2120100-B2

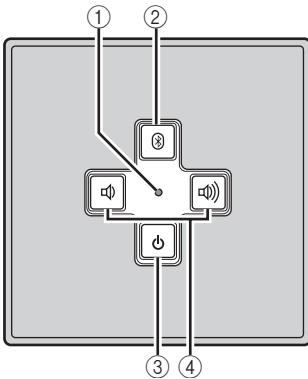
## SR-Bass

"Swing Radiator Bass™" is een handelsmerk van YAMAHA CORPORATION.

## PowerStorage™

"PowerStorage™" is een handelsmerk van YAMAHA CORPORATION.

# Bedieningsorganen en functies



### ① Status indicator (LED)

Geeft de huidige toestand van het toestel weer. Raadpleeg voor details "Over de status indicator (LED)" op bladzijde 4.

### ② ③ (Bluetooth/Geluid uit toets)

Hiermee kunt u het toestel in de 'pairing' stand zetten voor de verbinding met een ander Bluetooth apparaat, of kunt u de geluidswaergave tijdelijk uitschakelen. Druk nog eens op ③ of druk op ④/⑤ om de geluidswaergave weer te hervatten. De statusindicator knippert wanneer de geluidswaergave tijdelijk uitgeschakeld is.

### ③ ④ (Aan/uit toets)

Hiermee zet u dit toestel aan. Druk nog eens op ④ om dit toestel uit te zetten. Wanneer dit toestel aan staat, zal de aan/uit indicator oplichten.

### ④ ⑤/⑥ (Volumetoetsen)

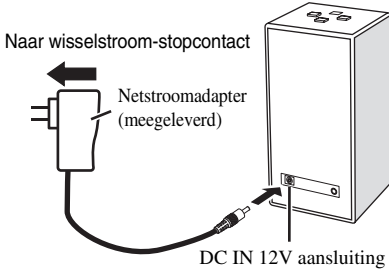
Hiermee kunt u het volume regelen. Druk op ⑤ om het volume te verhogen en druk op ⑥ om het volume te verlagen.

# Aansluitingen

Kies één van de twee manieren om het toestel van stroom te voorzien en kies de gewenste audio ingangsaansluiting.

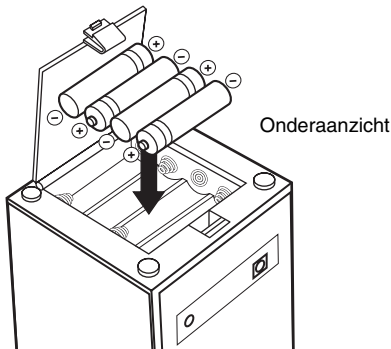
## Stroomvoorziening

### 1 Bij gebruik van de netstroomadapter




- 1 Sluit de meegeleverde netstroomadapter aan op de DC IN 12V aansluiting aan de achterkant van dit toestel.
- 2 Steek de netstroomadapter in het stopcontact.

### 2 Wanneer u batterijen wilt gebruiken



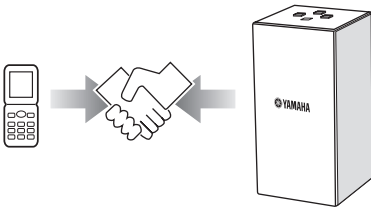
- 1 Open de klep van het batterijvak aan de onderkant van dit toestel.
- 2 Doe 4 los verkrijgbare batterijen (AA, LR6, UM-3) in het vak in overeenstemming met de polariteitsmarkeringen (+ en -) binnenin het batterijvak.
- 3 Doe de klep van het batterijvak weer netjes dicht.

### Opmerkingen

- Wanneer de statusindicator (LED) niet oplicht, alhoewel er op  wordt gedrukt, dient u alle batterijen te vervangen.
- Gebruik geen oude en nieuwe batterijen door elkaar.
- Gebruik geen verschillende soorten batterijen door elkaar (alkali en mangaan batterijen bijvoorbeeld). Lees de informatie op de verpakking zorgvuldig door, want sommige batterijen kunnen van een heel ander type zijn alhoewel ze erg op elkaar lijken.
- Wanneer u het toestel langere tijd (langer dan 1 maand) niet zult gebruiken, dient u de batterijen uit het toestel te halen.
- Als de batterijen zijn gaan lekken, moet u ze onmiddellijk weggooien. Raak het uit de batterijen gelekte materiaal niet aan en zorg ervoor dat het niet op uw kleding enz. komt. Maak het batterijvak goed schoon voor u er nieuwe batterijen in doet.
- Gooi batterijen niet samen met het gewone huishoudelijke afval weg; lever ze op de juiste manier in, in overeenstemming met de ter plaatse geldende regelgeving.

## Audio ingangsaansluitingen

### 1 Bij gebruik van een Bluetooth verbinding



De apparaten moeten aan elkaar worden gekoppeld wanneer de Bluetooth verbinding tussen de apparaten voor het eerst gebruikt wordt, of wanneer de koppel- en verbidingsgegevens voor deze apparaten gewist zijn. "Pairing" is de handeling waarmee mobiele telefoons enz. met Bluetooth (in het vervolg "andere componenten" te noemen) geregistreerd worden op een bepaald toestel om daarmee een Bluetooth verbinding aan te kunnen gaan. Gebruik de procedure die hieronder beschreven wordt voor 'pairing' (koppelen).



Om veiligheidsredenen is er een tijdlimiet van 8 minuten voor het koppelen (pairing). Het verdient aanbeveling alle instructies goed te lezen en te zorgen dat u ze begrijpt voor u hiermee begint.

- 1 Zet de andere component waarmee u de verbinding tot stand wilt brengen aan.**
- 2 Druk op  $\phi$  om dit toestel aan te zetten.**
- 3 Houd  $\otimes$  tenminste 4 seconden ingedrukt.**

Dit toestel gaat nu in de 'pairing' (koppel) stand (de statusindicator knippert blauw).

- 4-a [Voor componenten met bedieningsorganen (mobiele telefoons, computers enz.)]  
Voer de juiste handelingen uit op de andere apparatuur om verbinding te kunnen maken met Bluetooth apparatuur.**

Raadpleeg voor details hieromtrent de handleiding van de apparatuur in kwestie.

- 4-b [Voor componenten zonder bedieningsorganen (Bluetooth adapters enz.)]  
Zet de andere apparatuur in de stand voor het verbinding zoeken of koppelen en ga dan verder naar stap 7.**

Raadpleeg voor details hieromtrent de handleiding van de apparatuur in kwestie.

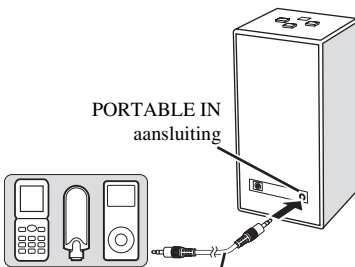
- 5 Selecteer "NX-B02 YAMAHA" uit de lijst op de andere component.**
- 6 Als u om een wachtwoord of toegangscode gevraagd wordt, kunt u "0000" invoeren.**
- 7 Controleer of de verbinding correct tot stand is gebracht.**

De statusindicator gaat snel knippen ten teken dat het koppelingsproces (pairing) op dit toestel is afgesloten. Controleer of het koppelingsproces (pairing) ook op de andere component correct is afgesloten. Als de statusindicator niet snel knippert, of als het koppelingsproces op de andere component niet correct afgesloten wordt, dient u opnieuw te beginnen vanaf stap 3.

#### Opmerkingen

- Er zijn geen Bluetooth verbindingen mogelijk met andere componenten wanneer dit toestel in de 'Pairing' (koppel) stand staat. Als u de koppel (pairing) stand per ongeluk heeft ingeschakeld, kunt u kort op  $\otimes$  drukken om deze functie te annuleren.
- Dit toestel kan worden gekoppeld (paired) met maximaal acht andere componenten. Wanneer het toestel vervolgens met succes koppelt met een negende component en de pairing gegevens geregistreerd worden, zullen de pairing gegevens van de minst recentelijk gebruikte andere, reeds gekoppelde, component worden gewist en vervangen door die voor de nieuwe component.
- Als de stroomvoorziening van dit toestel wordt onderbroken tijdens het koppelen (pairing), kunnen de pairing gegevens verminkt raken. Voer in een dergelijk geval de procedure uit die wordt beschreven bij "Wissen van de pairing (koppel) gegevens" op bladzijde 4 en voer het koppelen (pairing) vervolgens opnieuw uit.

### 2 Bij gebruik van een analoge signaalbron



In de handel verkrijgbare 3,5 mm stereo minstekker kabel

**Verbind de audio uitgangsaansluiting van uw draagbare audiospeler met de PORTABLE IN aansluiting van dit toestel met behulp van een los verkrijgbare 3,5 mm stereo minstekker kabel.**

#### Opmerking

Voor u apparatuur gaat aansluiten moet u controleren of dit toestel inderdaad uit staat.

## Gebruik van dit toestel


### 1 Druk op om dit toestel aan te zetten.

De status indicator (LED) licht op.

### 2 Begin de weergave op uw Bluetooth component of draagbare audiospeler.

### 3 Stel het volume in met .



- Dit toestel is een stereo luidspreker. Voor de juiste balans tussen links en rechts, moet u het Yamaha logo naar de luisteraar laten wijzen.
- Druk op  om dit toestel uit te zetten en zo stroom te besparen wanneer u het toestel niet gebruikt.



#### Opmerking

Bij weergave zal de Bluetooth verbinding voorrang krijgen boven de analoge verbinding.

### ■ Na gebruik van dit toestel

#### 1 Stop de weergave op uw Bluetooth component of draagbare audiospeler.

#### 2 Druk op om dit toestel uit te zetten.

De status indicator (LED) gaat uit.

### ■ Over de status indicator (LED)

Toestand LED	De huidige toestand van het toestel
Licht groen op	Dit toestel is aan en geeft het signaal van uw draagbare audiospeler weer.
Licht blauw op	Dit toestel is aan en geeft het signaal van uw Bluetooth component weer.
Knippert	De geluidswaergave van het toestel is tijdelijk uitgeschakeld of het toestel staat in de 'pairing' (koppel) stand.
Knippert één keer	Het volume van dit toestel staat op het maximum of het minimum.
Uit	Dit toestel is uit, of de stroomvoorziening is niet aangesloten.

## Wissen van de pairing (koppel) gegevens

### 1 Controleer of dit toestel uit staat.

### 2 Houd , en ingedrukt en druk zo op om dit toestel aan te zetten.

De statusindicator (LED) knippert blauw.

### 3 Druk op .

Het toestel zal de pairing (koppel) gegevens wissen.

Wanneer het wissen gedaan is, zal de statusindicator (LED) groen oplichten.



# Oplossen van problemen

Als het probleem dat u ondervindt niet hieronder vermeld staat, zet het toestel dan uit, onderbreek de stroomvoorziening en neem contact op met uw dichtstbijzijnde Yamaha dealer of servicecentrum.

## Algemeen

Probleem	Oorzaak	Oplossing
<b>Geen geluid.</b>	De verbinding tussen dit toestel en de andere component is niet correct.	Sluit de kabel op de juiste manier aan.
	Het volume staat op de minimum stand.	Verhoog het volume.
	De geluidswaerger is tijdelijk uitgeschakeld.	Herstel de geluidswaerger.
	De netstroomadapter is niet correct aangesloten.	Sluit de netstroomadapter op de juiste manier aan.
	De batterijen raken leeg.	Vervang alle batterijen.
<b>Het volumeniveau is onvast.</b>	De beveiliging is in werking getreden vanwege een te hoog ingangssignaal.	Verlaag het volume.

## Bij gebruik van de Bluetooth verbinding

Probleem	Oorzaak	Oplossing
<b>Kan dit toestel niet koppelen (pairing) met de andere component.</b>	De andere component biedt geen ondersteuning voor A2DP.	Probeer een verbinding tot stand te brengen met een component die wel ondersteuning biedt voor A2DP.
	De Bluetooth adapter enz. die u wilt koppelen met dit toestel heeft een ander wachtwoord dan "0000".	Gebruik een Bluetooth adapter enz. die wel het wachtwoord "0000" heeft.
	Verkeerde afstand.	Breng dit toestel op een afstand van niet meer dan 10 meter van de andere component.
	Er is een apparaat in de buurt (magnetron, draadloze LAN enz.) dat signalen in de 2,4 GHz frequentieband uitzendt.	Verplaats dit toestel.
	De aangesloten component staat uit.	Zet de aangesloten component aan.
<b>Er wordt geen geluid geproduceerd, of het geluid wordt tijdens de waerger onderbroken.</b>	De andere component is niet via Bluetooth verbonden met dit toestel.	Herstel de verbinding als de Bluetooth verbinding is verbroken.
	Verkeerde afstand.	Breng dit toestel op een afstand van niet meer dan 10 meter van de andere component.
	Er is een apparaat in de buurt (magnetron, draadloze LAN enz.) dat signalen in de 2,4 GHz frequentieband uitzendt.	Verplaats dit toestel.
	De Bluetooth functie van de andere component is niet ingeschakeld.	Controleer of de Bluetooth functie van de andere component correct is ingesteld.
	Dit toestel is niet geregistreerd in de lijst met Bluetooth apparaten op de andere component.	Voer de koppeling (pairing) opnieuw uit.
	De andere component is niet ingesteld om Bluetooth audiosignalen naar dit toestel te sturen.	Controleer of de Bluetooth functie van de andere component correct is ingesteld.
	De pairing (koppeling) instelling van de andere component is niet ingesteld op dit toestel.	Stel de pairing (koppeling) instelling van de andere component in op dit toestel.
	Het volume van de andere component staat op de minimum stand.	Verhoog het volume.

# Technische gegevens

Luidsprekertype..... 1-box stereo, Twin SR-Bass  
Magnetisch afgeschermd type

Luidspreker

.... 45 mm Ti-conus luidspreker met volledig toonbereik x 2  
Ingang (Analog) ..... 3,5 mm stereo ministeckeraansluiting  
200 mV/20 k $\Omega$

Bluetooth

..... Ver. 2.0+EDR met ondersteuning voor A2DP profielen  
Dynamisch vermogen ..... 6 W x 2 (1 kHz, 6  $\Omega$ )  
Max. piekvermogen\* ..... 10 W x 2 (1 kHz, 6  $\Omega$ , 10% THV)  
Ingangsevoeligheid ..... 200 mV  
Maximum ingangssignaal  
Analoge ingangsaansluiting ..... 2,0 V  
Frequentieweergave ..... 90 Hz t/m 20 kHz

Stroomvoorziening

Netstroomadapter ..... 100 t/m 240 V wisselstroom, 50/60 Hz  
Batterijen ..... AA, LR6, UM-3 x 4  
Levensduur batterijen: 4 uur bij gebruik van alkali batterijen  
(Uitgangsvermogen: 10 mW + 10 mW)

Stroomverbruik ..... 8 W

Bedrijfsomgeving

Temperatuur ..... +5 t/m +35  $^{\circ}$ C  
Afmetingen (b x h x d) ..... 84 x 170 x 84 mm  
Gewicht ..... 600 g

\* Dit is het vermogen dat 100 ms lang doorlopend geproduceerd kan worden.

Wij wijzen u erop dat alle technische gegevens zonder kennisgeving gewijzigd kunnen worden.

## Bluetooth®

- Bluetooth is een technologie voor draadloze communicatie tussen apparatuur die zich binnen een straal van ongeveer 10 meter van elkaar bevinden via de 2,4 GHz frequentieband, een band waarvoor geen vergunning vereist is.
- Bluetooth is een gedeponereerd handelsmerk van Bluetooth SIG en wordt gebruikt door Yamaha overeenkomstig een licentie-overeenkomst.

## ■ Omgaan met Bluetooth communicatie

- De 2,4 GHz band die gebruikt wordt door Bluetooth toestellen is een radioband die gebruikt wordt door allerlei soorten apparatuur. Alhoewel Bluetooth toestellen gebruik maken van een technologie die de invloed van andere apparatuur die gebruik maakt van dezelfde radioband zoveel mogelijk minimaliseert, kan een dergelijke invloed de snelheid van de verbinding of het bereik ervan verminderen en in sommige gevallen de verbinding zelfs volledig verstoren.
- De snelheid van de signaaloverdracht en de afstand over welke de communicatie nog mogelijk is hangen mede af van de afstand tussen de betrokken toestellen, de aanwezigheid van obstakels, de omstandigheden voor de radiogolven en van het type apparatuur.
- Yamaha kan niet garanderen dat alle draadloze verbindingen tussen dit toestel en andere Bluetooth apparatuur naar behoren zullen functioneren.

## Bepaalde garantie voor de Europese Economische Ruimte en Zwitserland

Hartelijk dank dat u een Yamaha product heeft gekozen. Mocht uw Yamaha product onverhoopt service of reparatie onder de garantie behoeven, dan verzoeken wij u contact op te nemen met de dealer van wie u het toestel in kwestie gekocht heeft. Als u problemen ondervindt, kunt u contact opnemen met de Yamaha vertegenwoordiging in uw land. De volledige gegevens hiervoor kunt u vinden op onze website (<http://www.yamaha-hifi.com/> of <http://www.yamaha-uk.com/> voor inwoners van het V.K.).

Wij garanderen dat dit product vrij is van fabricage- en materiaalfouten voor een periode van twee jaar, te rekenen vanaf de datum van de oorspronkelijke aankoop. Yamaha zal, onder de hieronder vermelde voorwaarden, het defecte product, onderdeel of de defecte onderdelen laten repareren of, naar keuze van Yamaha, vervangen, zonder kosten voor materiaal of arbeid in rekening te brengen. Yamaha behoudt zich het recht voor een product te vervangen door een gelijkwaardig product van hetzelfde soort en/of dezelfde waarde en andere relevante kenmerken, indien het onderhavige model niet meer gefabriceerd wordt of als reparatie niet economisch verantwoord wordt geacht.

### Voorwaarden

1. Het defecte product MOET vergezeld zijn van de originele rekening of het oorspronkelijke reçu (met daarop vermeld de datum van aankoop, productcode en de naam van de dealer) en van een verklaring waarin het mankement of de storing uiteengezet wordt. Bij afwezigheid van een dergelijk onweerlegbaar bewijs van aankoop behoudt Yamaha zich het recht voor gratis service of reparatie te weigeren en kan het product op kosten van de klant aan de klant worden geretourneerd.
2. Het product MOET zijn aangeschaft bij een ERKENDE Yamaha dealer binnen de Europese Economische Ruimte (EER) of in Zwitserland.
3. Het product mag niet onderworpen zijn aan enige modificatie of verandering, behalve indien daartoe uitdrukkelijk schriftelijk toestemming is verkregen van Yamaha.
4. Uitsluitend van deze garantie zijn:
  - a. Periodiek onderhoud en reparatie of vervanging van onderdelen als gevolg van normale slijtage.
  - b. Schade als resultaat van:
    - (1) Reparaties uitgevoerd door de klant zelf of door onbevoegde derden.
    - (2) Onoegdelijke verpakking of fouten bij het hanteren van het product wanneer het product van de klant vandaan onderweg is. Wij wijzen u erop dat het de verantwoordelijkheid van de klant is ervoor zorg te dragen dat het product deugdelijk verpakt is wanneer het wordt geretourneerd om nazieging of gerepareerd te worden.
    - (3) Oneigenlijk gebruik, daaronder begrepen, maar niet beperkt tot, (a) het product niet gebruiken voor de doeleinden waarvoor het normaal gesproken bestemd is, of niet in overeenstemming met de door Yamaha verstrekte instructies voor correct gebruik, onderhoud en opslag van het product, en (b) het product installeren of gebruiken op een wijze die niet voldoet aan de technische of veiligheidsnormen zoals die gelden in het land of de jurisdictie waar het product gebruikt wordt.
    - (4) Ongelukken, blikseminslag, water, brand, onoegdelijke ventilatie, lekkende batterijen of enige andere oorzaak waarop Yamaha geen invloed heeft.
    - (5) Defecten van het systeem waarin dit product wordt gebruikt en/of incompatibiliteit met producten van derden.
    - (6) Gebruik van een niet door Yamaha in de EER en/of Zwitserland geïmporteerd product, waar dat product niet voldoet aan de technische of veiligheidsnormen van het land of de jurisdictie waar het product gebruikt wordt en/of aan de standaard specificaties van het product zoals verkocht door Yamaha in de EER en/of Zwitserland.
    - (7) Producten die niet AV (audiovisueel) gerelateerd zijn.  
(De producten die onderworpen zijn aan de "Yamaha AV garantievoorwaarden" worden gedefinieerd op onze website: <http://www.yamaha-hifi.com/> of <http://www.yamaha-uk.com/> voor inwoners van het V.K.)
5. Waar de garantie zoals die geldt in het land van aankoop verschilt van die in land waar het product gebruikt wordt, zal de garantie voor het land waar het product gebruikt wordt worden toegepast.
6. Yamaha aanvaardt geen aansprakelijkheid voor enig verlies of enige schade, zij het directe schade, gevolgschade of anderszins, met uitzondering van reparatie of vervanging van het product.
7. Maakt u alstublieft reservekopieën van aangepaste instellingen of gegevens, want Yamaha aanvaardt geen aansprakelijkheid voor enige wijziging aan of verlies van dergelijke instellingen of gegevens.
8. Deze garantie doet niet af aan de rechten die de consument toegekend worden onder de toepasselijke nationale wetten en regelgeving, noch aan de rechten die de consument kan laten gelden ten opzichte van de dealer als gevolg van hun verkoop/aankoop contract.

# ПРЕДУПРЕЖДЕНИЕ: Изучите это перед использованием аппарата.

Для обеспечения наилучшего результата, пожалуйста, внимательно изучите данную инструкцию. Храните ее в безопасном месте для будущих справок.

- 1 Данный аппарат следует устанавливать в хорошо проветриваемых, прохладных, сухих, чистых местах, не подвергающихся прямому попаданию солнечных лучей, вдали от источников тепла, вибрации, пыли, влажности и/или холода. (Не используйте/храните данный аппарат в машине и т.д.)
- 2 Во избежание помех, данный аппарат следует размещать вдали от других электрических приборов, моторов, или трансформаторов.
- 3 Во избежание конденсации внутри данного аппарата, что может вызвать электрошок, пожар, привести к поломке данного аппарата, и/или к травме, не следует подвергать данный аппарат резким перепадам температуры с холодной на жаркую, а также размещать данный аппарат в среде с повышенной влажностью (например, в комнате с увлажнителем воздуха).
- 4 Не устанавливайте данный аппарат в местах, где есть риск падения других посторонних объектов на данный аппарат, и/или где данный аппарат может подвергнуться попаданию капель или брызгу жидкостей. На поверхности данного аппарата, НЕ следует располагать:
  - Другие компоненты, так как это может привести к поломке и/или отсечиванию поверхности данного аппарата.
  - Горящие объекты (например, свечи), так как это может привести к пожару, поломке данного аппарата, и/или к травме.
  - Емкости с жидкостями, так как при их падении, жидкости могут вызвать поражение пользователя электрическим током и/или привести к поломке данного аппарата.
- 5 Во избежание прерывания охлаждения данного аппарата, не следует покрывать данный аппарат газетой, скатерью, занавеской и т.д. Повышение температуры внутри данного аппарата может привести к пожару, поломке данного аппарата, и/или к травме.
- 6 Пока все соединения не завершены, не следует подключать данный аппарат к сети переменного тока.
- 7 Не используйте данный аппарат, установив его верхней стороной вниз. Это может привести к перегреву и возможной поломке.
- 8 Не применяйте силу по отношению к переключателям, ручкам и/или проводам.
- 9 При отсоединении адаптера переменного тока от сети, удерживайте адаптер переменного тока; ни в коем случае не тяните кабель.
- 10 Не применяйте различные химические составы для очистки данного аппарата; это может привести к разрушению покрывающего слоя. Используйте чистую сухую ткань.
- 11 Используйте данный аппарат только при указанном напряжении. Использование данного аппарата при более высоком напряжении, превышающем указанное, является опасным, и может стать причиной пожара, поломки данного аппарата, и/или к травме. Yamaha не несет ответственности за любые повреждения вследствие использования данного аппарата при напряжении, не соответствующем указанному напряжению.
- 12 Не пробуйте модифицировать или починить данный аппарат. При необходимости, свяжитесь с квалифицированным сервис центром Yamaha. Корпус аппарата не должен открываться ни в коем случае.
- 13 Если вы не собираетесь использовать данный аппарат в течение продолжительного промежутка времени (например, во время отпуска), отсоедините адаптер переменного тока от сети переменного тока.
- 14 Перед тем как прийти к заключению о поломке данного аппарата, обязательно изучите раздел "Возможные неисправности и способы их устранения", описывающий часто встречающиеся ошибки во время использования.
- 15 Перед перемещением данного аппарата, отключите данный аппарат, нажав Ф, и отсоедините адаптер переменного тока от сети.

- 16 Используйте адаптер переменного тока, поставляемый с данным аппаратом. Использование другого адаптера переменного тока взамен поставленного может привести к пожару или поломке даного аппарата.
- 17 Данный аппарат следует устанавливать возле розетки сети, к которой легко можно подтянуть адаптер переменного тока.
- 18 Для дополнительной защиты данного изделия во время грозы, или если он остается без присмотра или не используется в течение продолжительного периода, отсоедините его от сети. Это предотвратит поломку изделия во время грозы или при перепадах напряжения в электропроводах.
- 19 Батарейки не должны подвергаться излишнему нагреву от солнечных лучей, огня или тому подобное.

Данный аппарат оборудован магнитным экраном, но все же имеется вероятность того, что при его слишком близком расположении к телевизору цвет картинки может ухудшиться. В таком случае, отодвиньте данный аппарат от телевизора.

Избегайте использования данного аппарата в пределах 22 см от лиц с имплантированным кардиостимулятором или имплантированным дефибриллятором.

## ПРЕДУПРЕЖДЕНИЕ

**ВО ИЗБЕЖАНИЕ ПОЖАРА ИЛИ УДАРА ЭЛЕКТРИЧЕСКИМ ТОКОМ, НЕ ПОДВЕРГАЙТЕ ДАННЫЙ АППАРАТ ВОЗДЕЙСТВИЯМ ДОЖДЯ ИЛИ ВЛАГИ.**

Данный аппарат считается не отключенным от источника переменного тока все то время, пока он подключен к розетке, даже если данный аппарат находится в выключенном положении. В этом режиме электропотребление данного аппарата снижается до минимума.

Данный символ-отметка соответствует директиве ЕС 2002/96/EC.



Данный символ-отметка обозначает, что электрическое и электронное оборудование по окончании службы должно выбрасываться отдельно от домашнего мусора. Пожалуйста, следуйте местным правилам, и не выбрасывайте старые изделия вместе с обычным домашним мусором.

Пользователь не должен частично либо полностью производить инженерный анализ, декомпиллировать, вносить изменения, переводить или разбирать программное обеспечение, используемое в данном аппарате. Для корпоративных пользователей, работники самой корпорации, а также ее деловые партнеры должны соблюдать контрактные запреты, указанные в данном пункте. Если невозможно соблюсти оговорки данного пункта и данного контракта, пользователь должен незамедлительно прекратить использование программного обеспечения.

Мы, производитель Yamaha, настоящим заявляем, что NX-B02 соответствует обязательным требованиям и другим соответствующим положениям Директивы 1999/5/EC.



# Введение

## ◆ 2 вида энергообеспечения

В зависимости от условий использования, можно выбрать один из двух источников электропитания: адаптер переменного тока или батарейки.

## ◆ Беспроводная технология Bluetooth

Технология bluetooth позволяет прослушивать чистое звучание без проводных соединений.

## ◆ Реальное стереофоническое звучание

Высококачественное звучание достигается с помощью высококачественного усилителя, титановой диафрагмы и уникальной технологии SR-Bass, разработанной Yamaha.

## ◆ Схема PowerStorage™ (Наивысшая мощность 20 Ватт)

Оригинальная технология усиления Yamaha позволяет достичь впечатляющего 20 Ваттного воспроизведения (Макс. мгновенная мощность).

## ■ Поставляемые аксессуары

Адаптер переменного тока (12 В постоянного тока, 1 А) ..... 1

Форма адаптера может изменяться в зависимости от региона покупки.

Модель для Китая ..... MU12-2120100-A2

Модель для Европы ..... MU12-2120100-C5

Модель для Кореи ..... MU12-2120100-C4

Модель для Соединенного Королевства Великобритании и Северной Ирландии

..... MU12-2120100-B2

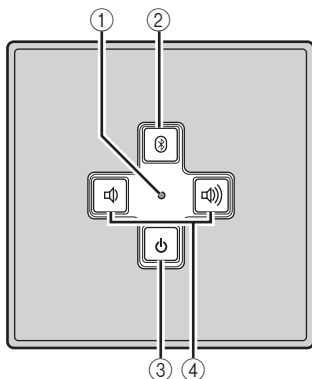
## SRBass

“Swing Radiator Bass™” является торговой маркой YAMAHA CORPORATION.

## PowerStorage™

“PowerStorage™” является торговой маркой YAMAHA CORPORATION.

# Системы управления и функции



## ① Индикатор состояния (светодиод)

Показывает текущее состояние данного аппарата. Подробнее, смотрите “Об индикаторе состояния (светодиоде)” на стр. 4.

## ② Ⓞ (Кнопка Bluetooth/приглушения)

Устанавливает данный аппарат в режим спаривания для использования соединения Bluetooth, или приглушение звучания. Для отмены приглушения, снова нажмите Ⓞ, или нажмите Ⓞ/Ⓞ. Во время приглушения, мигает индикатор состояния.

## ③ Ⓞ (Кнопка электропитания)

Включает данный аппарат. Снова нажмите Ⓞ для отключения данного аппарата. Когда данный аппарат находится во включенном состоянии, высвечивается индикатор электропитания.

## ④ Ⓞ/Ⓞ (Кнопки управления громкостью)

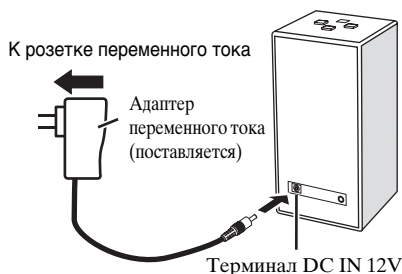
Настраивают уровень громкости. Для увеличения уровня громкости, нажимайте Ⓞ, а для уменьшения - нажимайте Ⓞ.

# Подключения

Выберите один из двух методов электропитания и аудиовходы в соответствии с обстоятельствами использования.

## Источники электропитания

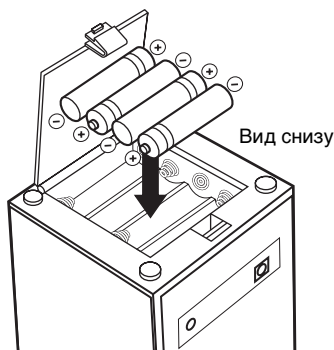
### 1 Использование адаптера переменного тока



**1** Подключите поставляемый адаптер переменного тока к терминалу DC IN 12V на задней стороне данного аппарата.

**2** Подключите адаптер переменного тока к сети переменного тока.

### 2 Использование батареек

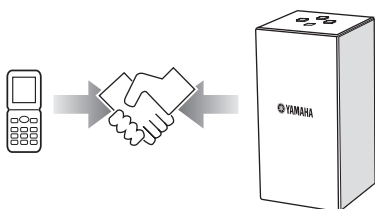


- 1** Откройте крышку отделения для батареек в нижней части данного аппарата.
- 2** Вставьте 4 отдельно продаваемые батарейки (AA, LR6, UM-3) в соответствии с обозначениями полярности (+ и -) внутри отделения для батареек.
- 3** Закройте крышку отделения для батареек.

#### Примечания

- Если индикатор состояния (светодиод) не высвечивается даже при нажатии  $\Phi$ , замените все батарейки.
- Не используйте старые батарейки вместе с новыми.
- Не используйте различные типы батареек (например, щелочные и марганцевые батарейки) вместе. Внимательно изучите упаковку, так как некоторые батарейки могут различаться по типам, даже если они имеют одинаковую форму и цвет.
- Если не собираетесь использовать данный аппарат в течение продолжительного срока (более 1 месяца), извлеките батарейки из данного аппарата.
- При протекании батареек, немедленно извлеките их. Избегайте контакта с материалом протекания или не давайте одежде и т.д. соприкасаться с материалом протекания. Перед установкой новых батареек, тщательно протрите отделение для батареек.
- Не выбрасывайте батарейки вместе с обычным мусором; избавляйтесь от них правильно, в соответствии с местными правилами.

## 1 Использование соединения Bluetooth



Спаривание должно выполняться при использовании связи Bluetooth в первый раз или если данные спаривания были удалены. “Спаривание” обозначает операцию по регистрации мобильных телефонов, др., для связи Bluetooth (далее обозначаются как “другие компоненты”). Для спаривания, выполните процедуру ниже.

Для обеспечения безопасности, для операции спаривания установлено временное ограничение до 8 минут. Перед началом, рекомендуется изучить и полностью вникнуть во все инструкции.

**1 Включите питание другого компонента, который нужно выполнить спаривание.**

**2 Нажмите  $\phi$  для включения данного аппарата.**

**3 Нажмите и удерживайте  $\text{\textcircled{R}}$  на более чем 4 секунды.**

Данный аппарат устанавливается в режим спаривания (индикатор состояния мигает синим).

**4-а [Для компонентов с кнопками ввода (мобильные телефоны, компьютеры, др.)] Используйте такой компонент для обнаружения компонентов Bluetooth.**

Для более подробной информации, смотрите инструкцию по эксплуатации к такому компоненту.

**4-б [Для компонентов без кнопок ввода (адаптеры Bluetooth, др.)]**

**Установите такой компонент в режим спаривания и затем перейдите на шаг 7.**

Для более подробной информации, смотрите инструкцию по эксплуатации к такому компоненту.

**5 Выберите “NX-B02 YAMAHA” в списке другого компонента.**

**6 Если требуется ввести ключ, введите номер “0000”.**

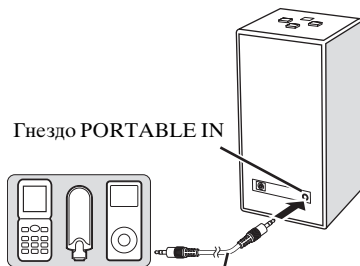
**7 Проверьте, что спаривание завершено.**

Быстро мигает индикатор состояния, обозначающий, что процесс спаривания на данном аппарате завершен. Убедитесь, что процесс спаривания на другом компоненте также завершен. Если индикатор состояния не мигает быстро, или если процесс спаривания на другом компоненте прервался, начните заново с шага 3.

### Примечания

- Пока данный аппарат находится в режиме спаривания, связь Bluetooth с другими компонентами невозможна. При случайной установке режима спаривания, быстро нажмите  $\text{\textcircled{R}}$  для отмены режима спаривания.
- Можно выполнить спаривание данного аппарата с максимум восьмью другими компонентами. При удачном спаривании с девятым компонентом и регистрации данных спаривания, данные спаривания для наиболее ранее использованного другого компонента удаляются.
- При прерывании электропитания данного аппарата во время операции спаривания, данные спаривания могут быть повреждены. В таком случае, выполните процедуру, описанную в “Удаление данных спаривания” на стр. 4, и затем заново выполните спаривание.

## 2 Использование аналогового входа



Отдельно продающийся 3,5 мм стереофонический миниразъемный кабель

**Подключите аудиовыходное гнездо переносного аудиоплеера и гнездо PORTABLE IN данного аппарата через отдельно продающийся 3,5 мм стереофонический миниразъемный кабель.**

### Примечание

Перед подключением, убедитесь, что данный аппарат отключен.

# Использование данного аппарата

- 1 Нажмите  $\phi$  для включения данного аппарата.**  
Высвечивается индикатор состояния (светодиод).
- 2 Запустите воспроизведение на компоненте Bluetooth или переносном аудиоплеере.**
- 3 С помощью  $\text{☞}/\text{☞}$ , настройте уровень громкости.**

## Примечание

Во время воспроизведения, приоритет отдается соединению Bluetooth над аналоговым соединением.



- Данный аппарат является стереофонической колонкой. Для лучшего баланса звучания слева и справа, направьте логотип Yamaha на место слушателя.
- Если данный аппарат не используется, нажмите  $\phi$  и отключите данный аппарат для экономии электроэнергии.



## ■ После использования данного аппарата

- 1 Остановите воспроизведение на компоненте Bluetooth или переносном аудиоплеере.**
- 2 Нажмите  $\phi$  для отключения данного аппарата.**  
Отключается индикатор состояния (светодиод).

## ■ Об индикаторе состояния (светодиоде)

Состояние	Текущее состояние данного аппарата
Светит зеленым	Данный аппарат включается и начинает воспроизведение на переносном аудиоплеере.
Светит синим	Данный аппарат включается и начинает воспроизведение на компоненте Bluetooth.
Мигает	Данный аппарат приглушен или находится в режиме спаривания.
Мигает один раз	Громкость данного аппарата установлена на максимальный или минимальный уровень.
Отключен	Данный аппарат отключен, или не подключено электропитание.

# Удаление данных спаривания

- 1 Убедитесь, что данный аппарат отключен.**
- 2 Нажав и удерживая  $\text{☞}, \text{☞}$  и  $\text{Ⓞ}$ , нажмите  $\phi$  и включите данный аппарат.**  
Индикатор состояния (светодиод) мигает синим.
- 3 Нажмите  $\text{Ⓞ}$ .**  
Данный аппарат удаляет данные спаривания.  
По завершению удаления, индикатор состояния (светодиод) высвечивается зеленым.

## Возможные неисправности и способы их устранения

Если проблема не указана ниже, отключите данный аппарат, отсоедините питание, и затем свяжитесь с ближайшим авторизованным дилером или сервис-центром Yamaha.

### Общая часть

Неисправность	Причина	Способ устранения
<b>Отсутствует звук.</b>	Несоответствующая связь между данным аппаратом и другим компонентом.	Подключите кабель соответствующим образом.
	Минимальный уровень громкости.	Увеличьте уровень громкости.
	Данный аппарат приглушен.	Отмените приглушение.
	Неправильно подключен адаптер переменного тока.	Правильно подключите адаптер переменного тока.
	Слабое напряжение в батареях.	Поменяйте все батарейки.
<b>Неустойчивый уровень громкости.</b>	Из-за излишнего входного уровня, была запущена функция ограничителя.	Уменьшите уровень громкости.

### Использование соединения Bluetooth

Неисправность	Причина	Способ устранения
<b>Невозможно выполнить спаривание данного аппарата с другим компонентом.</b>	Другой компонент не поддерживает A2DP.	Выполните операции спаривания с компонентом, поддерживающим A2DP.
	На адаптере Bluetooth, др., который нужно спарить с данным аппаратом, установлен пароль, кроме "0000".	Используйте адаптер Bluetooth, др., на котором установлен пароль "0000".
	Неправильное расстояние.	Переместите данный аппарат на расстояние в пределах 10 м от другого компонента.
	Поблизости имеется устройство (микроволновая печь, беспроводная сеть LAN, др.), выводящее сигналы на частотном диапазоне 2,4 ГГц.	Переместите данный аппарат.
	Отключено питание подключенного компонента.	Включите подключенный компонент.
<b>Не воспроизводится звучание, или звучание прерывается во время воспроизведения.</b>	Другой компонент не подключен к данному аппарату через Bluetooth.	Если связь Bluetooth была прервана, заново выполните соединение.
	Неправильное расстояние.	Переместите данный аппарат на расстояние в пределах 10 м от другого компонента.
	Поблизости имеется устройство (микроволновая печь, беспроводная сеть LAN, др.), выводящее сигналы на частотном диапазоне 2,4 ГГц.	Переместите данный аппарат.
	Функция Bluetooth другого компонента не была включена.	Убедитесь, что функция Bluetooth другого компонента установлена правильно.
	Данный аппарат не зарегистрирован в списке устройств Bluetooth на другом компоненте.	Заново выполните операции спаривания.
	Другой компонент не установлен в режим отправки аудиосигналов Bluetooth на данный аппарат.	Убедитесь, что функция Bluetooth другого компонента установлена правильно.
	Настройка спаривания другого компонента не установлена на данный аппарат.	Установите настройку спаривания другого компонента на данный аппарат.
	Уровень громкости другого компонента установлен на минимум.	Увеличьте уровень громкости.



# Технические характеристики

Тип колонки	1-блоковая стереофоническая, Twin SR-Bass С магнитным экраном
Головка	45 мм титаново-коническая полнодиапазонная головка x 2
Вход (аналоговый)	3,5 мм стереофоническое минигнездо 200 мВ/20 кΩ
Bluetooth	Ver. 2.0+EDR с поддержкой параметра A2DP
Динамическая мощность	6 Ватт x 2 (1 кГц, 6 Ω)
Макс. мгновенная мощность*	10 Ватт x 2 (1 кГц, 6 Ω, 10% ОНИ)
Чувствительность входа	200 мВ
Аналоговый вход	2,0 В
Частотная характеристика	90 Гц до 20 кГц

Мощность	Адаптер переменного тока 100 до 240 В переменного тока
Батарейка	AA, LR6, UM-3 x 4 Срок службы батареек: 4 часа для щелочных (Вывод: 10 мВатт + 10 мВатт)
Энергопотребление	8 Ватт
Среда использования	Температура..... от +5 до +35 °С
Габариты (Ш x В x Г)	84 x 170 x 84 мм
Вес.....	600г

\* Относится к мощности, которая может постоянно выводиться 100 мс.

Пожалуйста, помните, что все спецификации могут быть изменены без уведомления.

## Bluetooth®

- Bluetooth - это технология беспроводной связи между устройствами на участке в пределах 10 метров, использующая частотный диапазон 2,4 ГГц, являющуюся частотой, которая может использоваться без лицензии.
- Bluetooth - это зарегистрированная торговая марка Bluetooth SIG, и используется Yamaha в соответствии с договором лицензии.

## ■ Использование связи Bluetooth

- Диапазон 2,4 ГГц, используемый устройствами, совместимыми с Bluetooth - это радиодиапазон, используемый многими типами оборудования.  
Так как устройства, совместимые с Bluetooth, используют технологию, уменьшающую воздействие других компонентов, использующих одинаковый частотный радиодиапазон, такое воздействие может привести к уменьшению скорости или расстояния связи, и в некоторых случаях может привести к прерыванию связи.
- Скорость передачи сигнала и расстояние возможной связи различаются в соответствии с расстоянием между устройствами связи, наличием препятствий, условиями радиоволны и типа оборудования.
- Yamaha не гарантирует все беспроводные соединения между данным аппаратом и совместимыми с функцией Bluetooth устройствами.



©2007 YAMAHA CORPORATION All rights reserved.

YAMAHA ELECTRONICS CORPORATION, USA 6660 ORANGETHORPE AVE., BUENA PARK, CALIF. 90620, U.S.A.  
YAMAHA CANADA MUSIC LTD. 135 MILNER AVE., SCARBOROUGH, ONTARIO M1S 3R1, CANADA  
YAMAHA ELECTRONIK EUROPA G.m.b.H. SIEMENSSTR. 22-34, 25462 RELLINGEN BEI HAMBURG, GERMANY  
YAMAHA ELECTRONIQUE FRANCE S.A. RUE AMBROISE CROIZAT BP70 CROISSY-BEAUBOURG 77312 MARNE-LA-VALLEE CEDEX02, FRANCE  
YAMAHA ELECTRONICS (UK) LTD. YAMAHA HOUSE, 200 RICKMANSWORTH ROAD WATFORD, HERTS WD18 7GG, ENGLAND  
YAMAHA SCANDINAVIA A.B. J A WETTERGRENS GATA 1, BOX 30053, 400 43 VÄSTRA FRÖLUNDA, SWEDEN  
YAMAHA MUSIC AUSTRALIA PTY, LTD. 17-33 MARKET ST., SOUTH MELBOURNE, 3205 VIC., AUSTRALIA

YAMAHA CORPORATION  
Printed in China ◀ WM62650-2